

## UNO-148 電腦

**Intel® Tiger Lake UP3 Processor  
Automation Computer, with 3 x  
LAN, 4 x COM, 3 x USB 3.2 Gen2,  
1 x USB 2.0, 2 x DP 1.4, 8DI/8DO,  
1 x mPCIe, 1 x M.2 B+M Key, 1 x  
M.2 E Key, 1 x Nano SIM Slot and  
TPM 2.0**

**ADVANTECH**

*Enabling an Intelligent Planet*

## Copyright

The documentation and the software included with this product are copyrighted 2021 by Advantech Co., Ltd. All rights are reserved. Advantech Co., Ltd. reserves the right to make improvements in the products described in this manual at any time without notice. No part of this manual may be reproduced, copied, translated, or transmitted in any form or by any means without the prior written permission of Advantech Co., Ltd. The information provided in this manual is intended to be accurate and reliable. However, Advantech Co., Ltd. assumes no responsibility for its use, nor for any infringements of the rights of third parties that may result from its use.

## Acknowledgments

IBM, PC/AT, PS/2 and VGA are trademarks of International Business Machines Corporation.

Intel<sup>®</sup>, Core<sup>™</sup> and Atom<sup>™</sup> are the trademarks of Intel<sup>®</sup> Corporation.

Microsoft Windows and MS-DOS are registered trademarks of Microsoft Corp.

All other product names or trademarks are properties of their respective owners.

## Support

For more information on this and other Advantech products, please visit our website at <http://www.advantech.com>

For technical support services, please visit our support website at <http://support.advantech.com/>

This manual applies to the following models. These are abbreviated as UNO-148 products in this article.

\*Model name UNO-148-B

UNO148B

\*Part number:

UNO-148-B73BA/ UNO-148-B53BA/ UNO-148-B33BA

UNO-148-B73BI/ UNO-148-B53BI/ UNO-148-B33BI

UNO-148-IS2EA/UNO-148-P11EA/UNO-148-ID1EA

|                   |                   |                   |
|-------------------|-------------------|-------------------|
| UNO148B73B2101-T, | UNO148B73B2102-T, | UNO148B73B2103-T, |
| UNO148B73B2201-T, | UNO148B73B2202-T, | UNO148B73B2203-T, |
| UNO148B73B2204-T, | UNO148B73B2205-T, | UNO148B73B2206-T, |
| UNO148B73B2207-T, | UNO148B73B2208-T, | UNO148B73B2209-T, |
| UNO148B73B2301-T  | UNO148B73B2302-T  | UNO148B73B2303-T  |
| UNO148B73B2304-T  | UNO148B73B2305-T  | UNO148B73B2306-T  |
| UNO148B73B2307-T  | UNO148B73B2308-T  | UNO148B73B2309-T  |
| UNO148B73B2401-T  | UNO148B73B2402-T  | UNO148B73B2403-T  |
| UNO148B73B2404-T  | UNO148B73B2405-T  | UNO148B73B2406-T  |
| UNO148B73B2501-T  | UNO148B73B2502-T  | UNO148B73B2503-T  |
| UNO148B53B2101-T, | UNO148B53B2102-T, | UNO148B53B2103-T, |
| UNO148B53B2201-T, | UNO148B53B2202-T, | UNO148B53B2203-T, |

Part No.

Printed in Taiwan

Edition 1

August 2021

|                   |                   |                   |
|-------------------|-------------------|-------------------|
| UNO148B53B2204-T, | UNO148B53B2205-T, | UNO148B33B2206-T  |
| UNO148B53B2207-T, | UNO148B53B2208-T, | UNO148B53B2209-T, |
| UNO148B53B2301-T  | UNO148B53B2302-T  | UNO148B53B2303-T  |
| UNO148B53B2304-T  | UNO148B33B2305-T  | UNO148B53B2306-T  |
| UNO148B53B2307-T  | UNO148B33B2308-T  | UNO148B53B2309-T  |
| UNO148B53B2401-T  | UNO148B53B2402-T  | UNO148B53B2403-T  |
| UNO148B53B2404-T  | UNO148B53B2405-T  | UNO148B53B2406-T  |
| UNO148B53B2501-T  | UNO148B53B2502-T  | UNO148B53B2503-T  |
| UNO148B33B2101-T  | UNO148B33B2102-T  | UNO148B33B2103-T  |
| UNO148B33B2201-T  | UNO148B33B2202-T  | UNO148B33B2203-T  |
| UNO148B33B2204-T  | UNO148B33B2205-T  | UNO148B53B2206-T, |
| UNO148B33B2207-T  | UNO148B33B2208-T  | UNO148B33B2209-T  |
| UNO148B33B2301-T  | UNO148B33B2302-T  | UNO148B33B2303-T  |
| UNO148B33B2304-T  | UNO148B53B2305-T  | UNO148B33B2306-T  |
| UNO148B33B2307-T  | UNO148B53B2308-T  | UNO148B33B2309-T  |
| UNO148B33B2401-T  | UNO148B33B2402-T  | UNO148B33B2403-T  |
| UNO148B33B2404-T  | UNO148B33B2405-T  | UNO148B33B2406-T  |
| UNO148B33B2501-T  | UNO148B33B2502-T  | UNO148B33B2503-T  |

## Product Warranty (2 years)

Advantech warrants the original purchaser that each of its products will be free from defects in materials and workmanship for two years from the date of purchase.

This warranty does not apply to any products that have been repaired or altered by persons other than repair personnel authorized by Advantech, or products that have been subject to misuse, abuse, accident, or improper installation. Advantech assumes no liability under the terms of this warranty as a consequence of such events.

Because of Advantech's high quality-control standards and rigorous testing, most customers never need to use our repair service. If an Advantech product is defective, it will be repaired or replaced free of charge during the warranty period. For out-of-warranty repairs, customers will be billed according to the cost of replacement materials, service time, and freight. Please consult your dealer for more details.

If you believe your product to be defective, follow the steps outlined below.

1. Collect all the information about the problem encountered. (For example, CPU speed, Advantech products used, other hardware and software used, etc.) Note anything abnormal and list any onscreen messages displayed when the problem occurs.
2. Call your dealer and describe the problem. Please have your manual, product, and any helpful information readily available.
3. If your product is diagnosed as defective, obtain a return merchandise authorization (RMA) number from your dealer. This allows us to process your return more quickly.
4. Carefully pack the defective product, a completed Repair and Replacement Order Card, and a proof of purchase date (such as a photocopy of your sales receipt) into a shippable container. Products returned without a proof of purchase date are not eligible for warranty service.
5. Write the RMA number clearly on the outside of the package and ship the package prepaid to your dealer.

# Declaration of Conformity

## CE

This product has passed the CE test for environmental specifications when shielded cables are used for external wiring. We recommend the use of shielded cables. This type of cable is available from Advantech. Please contact your local supplier for ordering information.

Test conditions for passing also include the equipment being operated within an industrial enclosure. In order to protect the product from damage caused by electrostatic discharge (ESD) and EMI leakage, we strongly recommend the use of CE-compliant industrial enclosure products.

## FCC Class A

This equipment has been tested and found to comply with the limits for a Class A digital device, pursuant to part 15 of the FCC Rules. These limits are designed to provide reasonable protection against harmful interference when the equipment is operated in a commercial environment. This equipment generates, uses, and can radiate radio frequency energy and, if not installed and used in accordance with the instruction manual, may cause harmful interference to radio communications. Operation of this equipment in a residential area is likely to cause harmful interference. In this event, users are required to correct the interference at their own expense.

## 甲類資訊技術設備

甲類設備為其他符合甲類設備限制值之資訊技術設備，而非符合乙類資訊技術設備的限制值；雖然不可限制此類設備之行銷，但使用場所必須被限制，不得進行居住的環境中，且應於其機器本體及使用說明書中含有下列警語：

**警告使用者：**

此為甲類資訊技術設備，於居住環境中使用時，可能會造成射頻擾動，在此種情況下，使用者會被要求採取某些適當的對策。

## Technical Support and Assistance

1. Visit the Advantech website at [www.advantech.com/support](http://www.advantech.com/support) to obtain the latest product information.
2. Contact your distributor, sales representative, or Advantech's customer service center for technical support if you need additional assistance. Please have the following information ready before calling:
  - Product name and serial number
  - Description of your peripheral attachments
  - Description of your software (operating system, version, application software, etc.)
  - A complete description of the problem
  - The exact wording of any error messages

## Safety Precautions - Static Electricity

Follow these simple precautions to protect yourself from harm and the products from damage.

- To avoid electrical shock, always disconnect the power from the PC chassis before manual handling. Do not touch any components on the CPU card or other cards while the PC is powered on.
- Disconnect the power before making any configuration changes. A sudden rush of power after connecting a jumper or installing a card may damage sensitive electronic components.

## Safety Instructions

1. Read these safety instructions carefully.
2. Retain this user manual for future reference.
3. Disconnect the equipment from all power outlets before cleaning. Use only a damp cloth for cleaning. Do not use liquid or spray detergents.
4. For pluggable equipment, the power outlet socket must be located near the equipment and easily accessible.
5. Protect the equipment from humidity.
6. Place the equipment on a reliable surface during installation. Dropping or letting the equipment fall may cause damage.
7. The openings on the enclosure are for air convection. Protect the equipment from overheating. Do not cover the openings.
8. Ensure that the voltage of the power source is correct before connecting the equipment to a power outlet.
9. Position the power cord away from high-traffic areas. Do not place anything over the power cord.
10. All cautions and warnings on the equipment should be noted.
11. If the equipment is not used for a long time, disconnect it from the power source to avoid damage from transient overvoltage.
12. Never pour liquid into an opening. This may cause fire or electrical shock.
13. Never open the equipment. For safety reasons, the equipment should be opened only by qualified service personnel.
14. If any of the following occurs, have the equipment checked by service personnel:
  - The power cord or plug is damaged.
  - Liquid has penetrated the equipment.
  - The equipment has been exposed to moisture.
  - The equipment is malfunctioning, or does not operate according to the user manual.
  - The equipment has been dropped and damaged.
  - The equipment shows obvious signs of breakage.
15. Do not leave the equipment in an environment with a storage temperature of below -20° C (-4° F) or above 60° C (140° F) as this may damage the components. The equipment should be kept in a controlled environment.
16. **CAUTION:** Batteries are at risk of exploding if incorrectly replaced. Replace only with the same or equivalent type as recommended by the manufacturer. Discard used batteries according to the manufacturer's instructions.
17. In accordance with IEC 704-1:1982 specifications, the sound pressure level at the operator's position does not exceed 70 dB (A).

18. This product is intended to be supplied by an UL certified power supply or dc source with SELV output, rated 10 Vdc, 7.7A minimum and Tma 40 degree. If you need further assistance, please contact Advantech for further information.
  19. Ensure that the voltage of the power source is correct before connecting the equipment to a power outlet. The power outlet socket should have a grounded connection.
  20. For use in pollution free environments and indoor use.
  21. This equipment is not suitable for use in locations where children are likely to be present.
  22. If the equipment is used in a manner not specified by the Advantech, the protection provided by the equipment may be impaired.
  23. The equipment contains no user-serviceable parts. Do not open, Return to manufacturer for servicing.
  24. Do not block air ventilation holes.
  25. This is open type equipment and should be installed in a suitable enclosure.
- DISCLAIMER: These instructions are provided according to IEC 704-1 standards. Advantech disclaims all responsibility for the accuracy of any statements contained herein.

## Consignes de sécurité

1. Lire attentivement les instructions de sécurité.
2. Conserver ce manuel pour utilisation ultérieure,
3. Débranchez cet équipement de toute prise secteur avant le nettoyer. Utilisez seulement un chiffon humide. N'utilisez pas de détergent liquide ou pulvérisé pour le nettoyage.
4. Gardez cet équipement à l'abri de l'humidité.
5. Placez cet équipement sur une surface fiable pendant l'installation. Le faire ou bien le laisser tomber peut causer des dégâts.
6. Les ouvertures sur l'enceinte servent à la convection de l'air. Protégez l'équipement contre surchauffe. **NE COUVREZ PAS LES OUVERTURES.**
7. Assurez-vous que la tension de la source d'alimentation est correcte avant de connecter l'équipement à une prise de courant. La prise de courant doit avoir une connexion à la terre.
8. Placez le câble d'alimentation de manière à ce que personne ne puisse marcher dessus. Ne placez rien sur le câble d'alimentation.
9. Toutes les mises en garde et tous les avertissements sur l'équipement doivent être notés.
10. Si l'équipement n'est pas utilisé pendant une longue période, débranchez-le de la source d'alimentation pour éviter tout endommagement dû à une surtension transitoire.
11. Ne jamais verser de liquide dans une ouverture. Cela pourrait provoquer un incendie ou un choc électrique.
12. N'ouvrez jamais l'équipement. Pour des raisons de sécurité, l'équipement doit être ouvert uniquement par du personnel qualifié.
13. Si l'une des situations suivantes se présente, faites vérifier l'équipement par le personnel de service:
  - un liquide a pénétré dans l'équipement
  - L'équipement a été exposé à l'humidité.
  - L'équipement ne fonctionne pas bien, ou vous ne pouvez pas le faire fonctionner selon le manuel de l'utilisateur.

- The equipment does not work well, or you cannot get it to work according to the user's manual
  - L'équipement est tombé et endommagé
  - L'équipement présente des signes évidents de rupture.
14. NE LAISSEZ PAS CET ÉQUIPEMENT DANS UN ENVIRONNEMENT OU LA TEMPÉRATURE DE STOCKAGE PEUT ÊTRE INFÉRIEURE À -40° C (-4° F) OU BIEN SUPÉRIEURE À 70° C (158° F). CECI POURRAIT ENDOMMAGER L'EQUIPEMENT. L'ÉQUIPEMENT DEVRAIT ÊTRE DANS UN ENVIRONNEMENT CONTRÔLÉ.
  15. Ce produit est destiné à être alimenté par une source d'alimentation certifiée UL ou par une source cc convenant à une utilisation à une température minimale de 40 degrés Celsius, dont la sortie est conforme à la norme SELV et dont la puissance nominale est de 10 Vdc, 7.7 A, en cas de besoin. contactez Advantech pour plus d'informations.
  16. Pour une utilisation dans des environnements non polluant et à l'intérieur.
  17. C'est appareil ne doit pas être utilisé dans des endroits où se trouvent des enfants.
  18. Si l'équipement est utilisé d'une manière non spécifiée par le fabricant, la protection fournie par l'équipement peut être altéré
  19. L'équipement ne contient aucune pièce réparable par l'utilisateur. Ne pas ouvrir, retourner au fabricant pour réparation.
  20. Ne bloquez pas les ou es de ventilation.
  21. Il s'agit d'un équipement de type ouvert et doit être installé dans un boîtier approprié

**ATTENTION:** Danger d'explosion si la batterie est mal remplace. Remplacer uniquement par le meme type ou equivalent recommandé par le fabricant. Jeter les piles usagées selon les instructions du fabricant.

## 安全指示

1. 請仔細閱讀此安全操作說明。
2. 請妥善保存此用戶手冊供日後參考。
3. 用濕抹布清洗設備前，請確認拔除電源線。請勿使用液體或去污噴霧劑清洗設備。
4. 對於使用電源線的設備，設備周圍必須有容易接觸到的電源插座。
5. 請勿在潮濕環境中試用設備。
6. 請在安裝前確保設備放置在可靠的平面上，意外摔落可能會導致設備損壞。
7. 設備機殼的開孔適用於空氣對，從而防止設備過熱。請勿覆蓋開孔。
8. 當您連接設備到電源插座前，請確認電源插座的電壓符合要求。
9. 請將電源線佈置在人們不易絆倒的位置，請勿在電源線上覆蓋任何雜物。
10. 請注意設備上所有的警告標示。
11. 如果長時間不使用設備，請拔除與電源插座的連結，避免設備被超標的電壓波動損壞。
12. 請勿讓任何液體流入通風口，以免引起火災或短路。
13. 請勿自行打開設備。為了確保您的安全，請透過經認證的工程師來打開設備。
14. 如遇下列情況，請由專業人員維修：
  - 電源線或插頭損壞；
  - 設備內部有液體流入；
  - 設備曾暴露在過度潮濕環境中使用；
  - 設備無法正常工作，或您無法透過用戶手冊來正常工作；

- 
- 設備摔落或損壞；
  - 設備有明顯外觀損；
15. 請勿將設備放置在超出建議溫度範圍的環境，即不要低於  $-40^{\circ}\text{C}$  ( $-40^{\circ}\text{F}$ ) 或高於  $60^{\circ}\text{C}$  ( $140^{\circ}\text{F}$ )，否則可能會造成設備損壞。
  16. 注意：若電池更換不正確，將有爆炸危險。因此，只可以使用製造商推薦的同一種或者同等型號的電池進行替換。請按照製造商的指示處理舊電池。
  17. 根據 IEC 704 - 1:1982 規定，操作員所在位置音量不可高於 70 分貝。
  18. 限制區域：請勿將設備安裝於限制區域使用。
  19. 免責聲明：請安全訓示符合 IEC 704 - 1 要求。研華公司對其內容之準確性不承擔任何法律責任。
  20. 消費者若使用电源适配器供电，则应购买配套使用获得 CCC 认证并满足标准要求的电源适配器。



# Contents

|                  |   |          |
|------------------|---|----------|
| <b>Chapter 1</b> | <b>Overview.....</b>  | <b>1</b> |
| 1.1              | Introduction .....  | 2        |
| 1.2              | Safety Precautions .....  | 2        |
| 1.3              | Packing List.....   | 3        |
| 1.4              | Hardware Specifications .....   | 3        |
| 1.4.1            | General .....   | 3        |
| 1.4.2            | System Hardware .....   | 4        |
| 1.4.3            | I/O Interfaces .....  | 5        |
| 1.4.4            | Environment.....  | 5        |
| 1.4.5            | Certification.....  | 5        |
| 1.4.6            | Extension Kit (Optional).....   | 6        |
| 1.5              | Dimensions .....  | 7        |
|                  | Figure 1.1 UNO-148 Dimension .....  | 7        |
|                  | Figure 1.2 UNO-148 Dimension (With UNO-148-IS2EA Optional<br>Extension Kit)) .....          | 7        |
|                  | Figure 1.3 UNO-148 Dimensions (With UNO-148-ID1EA Optional<br>Extension Kit) .....          | 8        |
|                  | Figure 1.4 UNO-148 Dimensions (With UNO-148-ID1EA Optional<br>Extension Kit) .....          | 8        |
| <b>Chapter 2</b> | <b>Hardware Functionality.....</b>  | <b>9</b> |
| 2.1              | Introduction .....  | 10       |
|                  | Figure 2.1 Diagram of Connector Locations on UNO-148 (Top<br>Side).....                     | 10       |
|                  | Figure 2.2 Key Components Locations of UNO-148 (Bottom Side)<br>10                          |          |
|                  | Table 2.1: Key Components, Connectors on Board.....   | 11       |
| 2.2              | External I/O Connector.....   | 12       |
| 2.2.1            | UNO-148 Base Unit.....  | 12       |
|                  | Figure 2.3 Front Panel of UNO-148.....  | 12       |
|                  | Figure 2.4 Top View of UNO-148 .....  | 12       |
| 2.2.2            | UNO-148 Base Unit with UNO-148-IS2EA Expansion Unit (1 x<br>iDoor and 1 x 2.5"SSD/HDD)..... | 13       |
|                  | Figure 2.5 Front Panel of UNO-148.....  | 13       |
|                  | Figure 2.6 Top View of UNO-148 .....  | 13       |
| 2.2.3            | UNO-148 Base Unit with UNO-148-ID1EA Expansion Unit (iDoor x<br>1).....                     | 14       |
|                  | Figure 2.7 Front Panel of UNO-148.....  | 14       |
|                  | Figure 2.8 Top View of UNO-148 .....  | 14       |
| 2.2.4            | UNO-148 Base Unit with UNO-148-P11EA Expansion Unit (1x<br>PCIe expansionx4).....           | 15       |
|                  | Figure 2.9 Front Panel of UNO-148.....  | 15       |
|                  | Figure 2.10Top View of UNO-148 .....  | 15       |
| 2.2.5            | Power Connector .....   | 16       |
| 2.2.6            | LAN: Ethernet Connector.....  | 16       |
| 2.2.7            | USB Connector .....   | 16       |
| 2.2.8            | Display Connector.....  | 16       |
| 2.2.9            | COM Connector .....   | 17       |
|                  | Table 2.2: COM Connector Pin Assignments.....   | 17       |
| 2.2.10           | Digital Input and Output .....  | 18       |
|                  | Figure 2.11Isolated DI Wet Connection Diagram .....   | 19       |
|                  | Figure 2.12Isolated DI Dry Connection Diagram .....   | 19       |
|                  | Figure 2.13Isolated DO Connection Diagram.....  | 20       |

|       |  |    |
|-------|--|----|
| 2.3   | Internal I/O Connectors and Switches .....                               | 20 |
|       | Figure 2.14 Locations Internal I/O Connectors/Switches for UNO-148 ..... | 20 |
|       | Table 2.3: Internal Connectors and Jumper Switches .....                 | 21 |
| 2.3.1 | M.2 Connector .....  | 22 |
| 2.3.2 | mPCIe Connector .....  | 22 |
| 2.3.3 | Nano SIM Slot .....  | 22 |
| 2.4   | Others .....   | 22 |
|       | Figure 2.15 Indicators, Reset Buttons, and Antenna Hole .....            | 22 |
| 2.4.1 | LED Indicators .....   | 22 |
| 2.4.2 | Reset Buttons .....  | 22 |
| 2.4.3 | Antenna Hole .....   | 23 |
|       | Figure 2.16 Diagram of Maximum OD Value for Antenna Hole .....           | 23 |

## Chapter 3 Initial Setup..... 25

|       |   |    |
|-------|---|----|
| 3.1   | Chassis Grounding .....                                       | 26 |
|       | Figure 3.1 Chassis Grounding Connection .....                 | 26 |
| 3.2   | Connecting Power .....  | 27 |
| 3.3   | Storage Installation (Optional) .....                         | 28 |
| 3.3.1 | Installing a M.2 2280 NVMe .....                              | 28 |
| 3.3.2 | Installing M.2 3042 Module .....                              | 30 |
| 3.3.3 | Installing M.2 3052 Module .....                              | 32 |
| 3.4   | Installing M.2 2230 Module .....                              | 33 |
| 3.4.1 | Installing mPCIe .....  | 35 |
| 3.5   | Din-Rail Installation .....                                   | 36 |
| 3.6   | Wireless Module Installation (Optional) .....                 | 37 |
| 3.7   | Extension Kit Installation (Optional) .....                   | 38 |
| 3.7.1 | iDoor and HDD/SSD Storage Extension Kit (UNO-148-IS2EA) ..... | 38 |
| 3.7.2 | iDoor Extension Kit (UNO-148-ID1EA) .....                     | 42 |
| 3.7.3 | PCIe Expansionx4 (UNO-148-P11EA) .....                        | 46 |
| 3.8   | Remote Power & Reset Settings .....                           | 50 |
|       | Table 3.1: Remote Power/On & Reset Settings .....             | 50 |
| 3.9   | BIOS Setting .....  | 51 |

## Appendix A System Settings/Pin Assignment.... 53

|       |  |    |
|-------|--|----|
| A.1   | Power Connector (CN1) .....                                | 54 |
|       | Table A.1: Power Connector Pin Assignments .....           | 54 |
| A.2   | LAN: Ethernet Connector (CN4) .....                        | 54 |
|       | Table A.2: Ethernet Connector Pin Assignments .....        | 54 |
| A.3   | USB Connector (CN5, CN6) .....                             | 55 |
| A.3.1 | USB 2.0 Connector .....                                    | 55 |
|       | Table A.3: Connector Pin Assignments .....                 | 55 |
| A.3.2 | USB 3.0 Connector .....                                    | 55 |
|       | Table A.4: USB 3.0 Connector Pin Assignments .....         | 55 |
| A.4   | Display Connector (CN2, CN3) .....                         | 56 |
|       | Table A.5: DisplayPort Adaptor Cable Pin Assignments ..... | 56 |
| A.5   | M.2 Connector (CN15) .....                                 | 57 |
|       | Table A.6: M.2 B Key Connector Pin Assignments .....       | 57 |
| A.6   | mPCIe Connector (MINI1) .....                              | 58 |
|       | Table A.7: mPCIe Connector Pin Assignments .....           | 58 |
| A.7   | COM Port RS232/422/485 Setting .....                       | 59 |
| A.7.1 | COM1/COM2 RS232/422/485 Setting (SW1) .....                | 59 |
| A.7.2 | COM3/COM4 RS232/422/485 Setting (SW2) .....                | 59 |
| A.7.3 | COM Port RS422/485 Termination Resistor Setting .....      | 61 |
| A.8   | BIOS Update Setting .....                                  | 61 |
| A.9   | AT/ATX Setting (SW8) .....                                 | 62 |
| A.10  | Riser Connector (CN12) .....                               | 63 |

Table A.8: Expansion Board to Board Connector Pin Assignments  
63

|      |                                   |    |
|------|-----------------------------------|----|
| A.11 | TPM 2.0 BIOS Setting.....         | 64 |
| A.12 | CPU Turbo Mode BIOS Setting ..... | 66 |



# Chapter 1

## Overview

This chapter overviews specifications for UNO-148.

- Introduction
- Safety Precautions
- Accessories
- Hardware Specifications
- Dimensions

## 1.1 Introduction

Advantech's UNO-100 series are DIN-rail integrated controller that feature a modular design for flexible configuration according to specific usage requirements.

UNO-148 is equipped with an 11th Generation Intel® Core™ i Processor (General 1.8GHz) with 8GB DDR4 RAM, and 3 x LAN, 4 x COM, 3 x USB 3.2 Gen2, 1 x USB 2.0, 8 x DI, 8 x DO and 2 x DP 1.4. The controller also supports 1 x full size min PCIe, 1 x M.2 (B+M key), 1 x M.2 (E key) and 1 x nano SIM card for convenient expansion kit that supports Advantech's iDoor technology for integrating additional industrial Fieldbus, wireless communication, I/O and peripheral modules.

## 1.2 Safety Precautions

Below are a few safety precautions for preventing injury when making connections. In most cases, users can use a standard cable for connection.

**Warning!** *Always disconnect the power cord from the chassis before manual handling. Do not connect the chassis while the system power is on. A sudden rush of power can damage sensitive electronic components. Only experienced electronics personnel should open the chassis.*



**Warning!** *Toujours à la terre pour éliminer toute charge d'électricité statique avant toucher UNO-148. Appareils électroniques modernes sont très sensibles à charges d'électricité statique. Utilisez un bracelet antistatique à tout moment. Placez tous composants électroniques sur une surface antistatique ou dans un statique-sac blindé.*



**Caution!** *Always ground yourself to remove any static electric charge before touching UNO-148. Modern electronic devices are very sensitive to static electric charges. Use a grounding wrist strap at all times. Place all electronic components on a static-dissipative surface or in a static shielded bag.*



**Caution!** *Toujours débrancher le cordon d'alimentation de votre boîtier lorsque vous êtes travailler. Ne branchez pas lorsque l'appareil est allumé. Un afflux soudain de puissance peut endommager les composants électroniques sensibles. Seulement connu personnel de l'électronique devraient ouvrir le châssis.*



## 1.3 Packing List

Please refer to below packing list:

- UNO-148 (with din-rail mount)
- 2 x 10 PIN Plug-in block for COM port
- 1 x 20 PIN Plug-in block for DIO
- 1 x 2 PIN Plug-in for Power
- 1 x Earth-Ground cable
- Quick Start Guide
- Warranty card

If anything is missing or damaged, contact your distributor or sales representative immediately.

## 1.4 Hardware Specifications

### 1.4.1 General

|                               |                          |
|-------------------------------|--------------------------|
| <b>Dimensions (W x D x H)</b> | 45 x 140 x 200mm         |
| <b>Weight (Net)</b>           | 1.5kg                    |
| <b>Mounting</b>               | DIN-rail                 |
| <b>Power Requirement</b>      | 10 - 36V <sub>DC</sub>   |
| <b>Power Consumption</b>      | 26W (typical), 60W (Max) |

## 1.4.2 System Hardware

|                          |  |
|--------------------------|--|
| <b>BIOS</b>              | AMI UEFI 256Mbit   |
| <b>Watchdog Timer</b>    | Programmable 255 levels timer interval, from 1 to 255 sec  |
| <b>Hardware Security</b> | TPM 2.0  |
| <b>Processor</b>         | Intel Core™ 1.8GHz (up to 4.4GHz)  |
| <b>Memory</b>            | 2 Slot Built-in 8GB DDR4L 3200MHz (Up to 32GB per Slot, Up to 64 GB totally)   |
| <b>Graphics Engine</b>   | Intel® Iris® Xe  |
| <b>Ethernet</b>          | Intel® i210-IT GbE, IIEEE802.1AS, 802.3az<br>Intel® i219<br>Intel® i225 2.5Gb/s, IIEEE1588 protocol and 802. 1AS implementation  |
| <b>LED Indicators</b>    | 1x Power: Green-S0, Orange S3 or S5)<br>1x RUN: Green-Programmable (PLED)<br>1x BTR: RED-RTC Battery Low   |
| <b>Communication</b>     | M.2 slot for B key and E key   |
| <b>Storage</b>           | 1 x M.2 M key 2280 NVMe SSD (PCIex4 Signal)<br>1 x M.2 B-key 2242 (SATA Signal)  |
| <b>Expansion</b>         | 1 x 2.5" 2242 SSD/HDD (Plug in a riser card in expansion unit)<br>1 x M.2 B-key 3042 or 3052 Module (USB3.2 Gen2 Signal)<br>1 x Nano SIM card slot for B-key use<br>1 x M.2 E-key 2230 WiFi module (PCIe/USB2.0 Signal)<br>1 x E-key miniPCIe (PCIe/USB2.0 Signal) |

**Note!** *The M.2 B-key can support either 2242 storage (w/ SATA signal) or 3042/3052 Module (w/ USB signal).*





### 1.4.3 I/O Interfaces

|                        |  |
|------------------------|--|
| <b>Serial Ports</b>    | 4 x RS-232/422/485 (terminal block), 50 ~115.2 kbps (Isolation Protection: 2500 V <sub>DC</sub> )  |
| <b>LAN Ports</b>       | 1x Intel I225 Ethernet Chip<br>1x Intel I219 Ethernet Chip<br>1x Intel I210 Ethernet Chip  |
| <b>Speed</b>           | 1 x 10/100/1000/2500 Mbps IEEE 802.3u 2500BASE-T Fast Ethernet (RJ-45)   |
| <b>USB Ports</b>       | 3 x USB 3.2 Gen2, and 1 x USB 2.0 (Type A)   |
| <b>Isolated DIO</b>    | 8-ch digital input, 8-ch digital output (Isolation Protection: 2500V <sub>DC</sub> )<br>Input Voltage (Wet Contact)<br>Logic 0: 10~30 V <sub>DC</sub><br>Logic 1: 0~3 V <sub>DC</sub><br>Input Voltage (Dry Contact)<br>Logic 0: Shorted to GND<br>Logic 1: Open<br><br>Digital Output<br>Output Voltage: 5~30 V <sub>DC</sub><br>Output Capability Sink: 500mA max./channel |
| <b>Displays</b>        | 2 x DP 1.4, up to 7680x3480 (8K) @ 60Hz  |
| <b>Power Connector</b> | 1 x 2 Pin (terminal block)   |

### 1.4.4 Environment

|                               |  |
|-------------------------------|--|
| <b>Operating Temperature*</b> | -20 ~ 60° C (-4 ~ 140° F) with 0.7m/s airflow  |
| <b>Storage Temperature</b>    | - 40 ~ 85 °C (-40 ~ 185 °F)  |
| <b>Relative Humidity</b>      | 95% RH @ 40 °C/104 °F, non-condensing  |
| <b>Shock Protection</b>       | Operating, IEC 60068-2-27, 50G, half sine, 11ms  |
| <b>Vibration Protection</b>   | Operating, IEC 60068-2-64, 4Grms, random, 5 ~500Hz, 1hr/ axis (SSD)<br>Operating, IEC 60068-2-64, 0.3 Grms, random, 5 ~ 500Hz, 1hr/ axis (HDD) |

**Note!** *It is recommended to use 2.5" SSD under the temperature of 60° C/140° F.*



### 1.4.5 Certification

|                      |                                   |
|----------------------|-----------------------------------|
| <b>Certification</b> | CE, FCC, CB, UL 61010-2-201, BSMI |
|----------------------|-----------------------------------|

## 1.4.6 Extension Kit (Optional)

UNO-148 features a modularized design. Advantech offers an optional 2nd extension kit.

### ■ UNO-148-ID1EA Expansion unit (iDoor x 1)

|                               |   |
|-------------------------------|---|
| <b>Part number</b>            | UNO-148-ID1EA   |
| <b>Description</b>            | 2nd stack extension kit to support 1 x iDoor on UNO-148-ID1EA |
| <b>Ports</b>                  | 1 x iDoor   |
| <b>Dimensions (W x D x H)</b> | 35 x 140 x 200 mm   |
| <b>Weight</b>                 | 0.4 kg  |

### ■ UNO-148-IS2EA Expansion unit (1 x iDoor and 1 x 2.5"SSD/HDD)

|                               |  |
|-------------------------------|--|
| <b>Part number</b>            | UNO-148-IS2EA  |
| <b>Description</b>            | 2nd stack extension kit to support 1 x iDoor and 1 x 2.5" SSD/HDD storage on UNO-148-IS2EA |
| <b>Ports</b>                  | 1 x iDoor ,1 x 2.5" SSD/HDD  |
| <b>Dimensions (W x D x H)</b> | 35 x 140 x 200 mm  |
| <b>Weight</b>                 | 0.8 kg   |

### ■ UNO-148-P11EA Expansion unit (1x PCIe expansionx4)

|                               |  |
|-------------------------------|--|
| <b>Part number</b>            | UNO-148-P11EA  |
| <b>Description</b>            | 2ndstackextensionkittosupport1xPCIeexpansionx4on UNO-148-P11EA |
| <b>Ports</b>                  | 1 x PCIe expansionx4   |
| <b>Dimensions (W x D x H)</b> | 35 x 140 x 200 mm  |
| <b>Weight</b>                 | 0.5 kg   |

**Note!** When used UNO-148-P11EA (PCIe x4), Mini1 and CN14 (B-key) SATA signal cannot be used. And power input only use +24V<sub>DC</sub>.



## 1.5 Dimensions

45 x 140 x 200 mm (W x D x H mm)

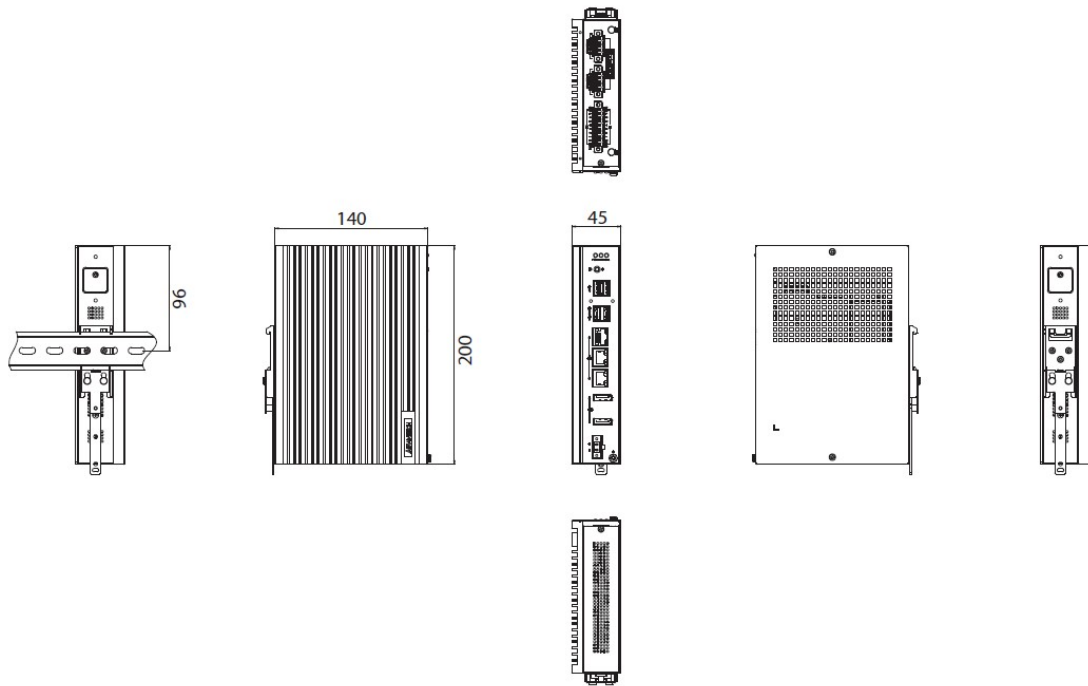


Figure 1.1 UNO-148 Dimension

80 x 140 x 200 mm (W x D x H mm)

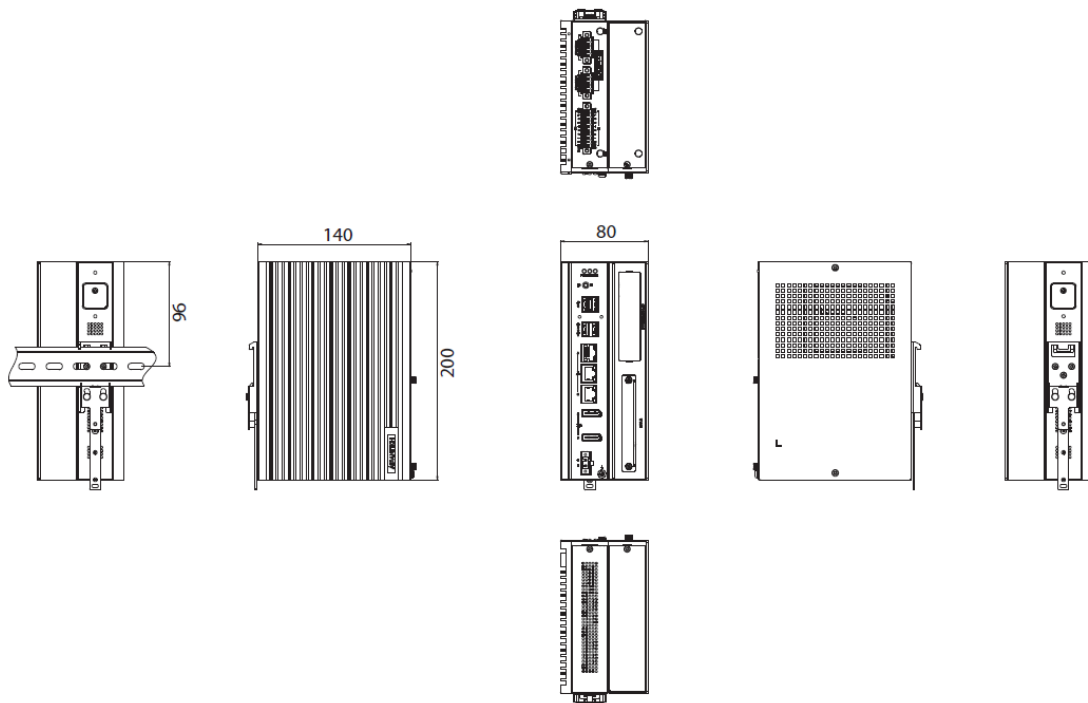


Figure 1.2 UNO-148 Dimension (With UNO-148-IS2EA Optional Extension Kit)

80 x 140 x 200 mm (W x D x H mm)

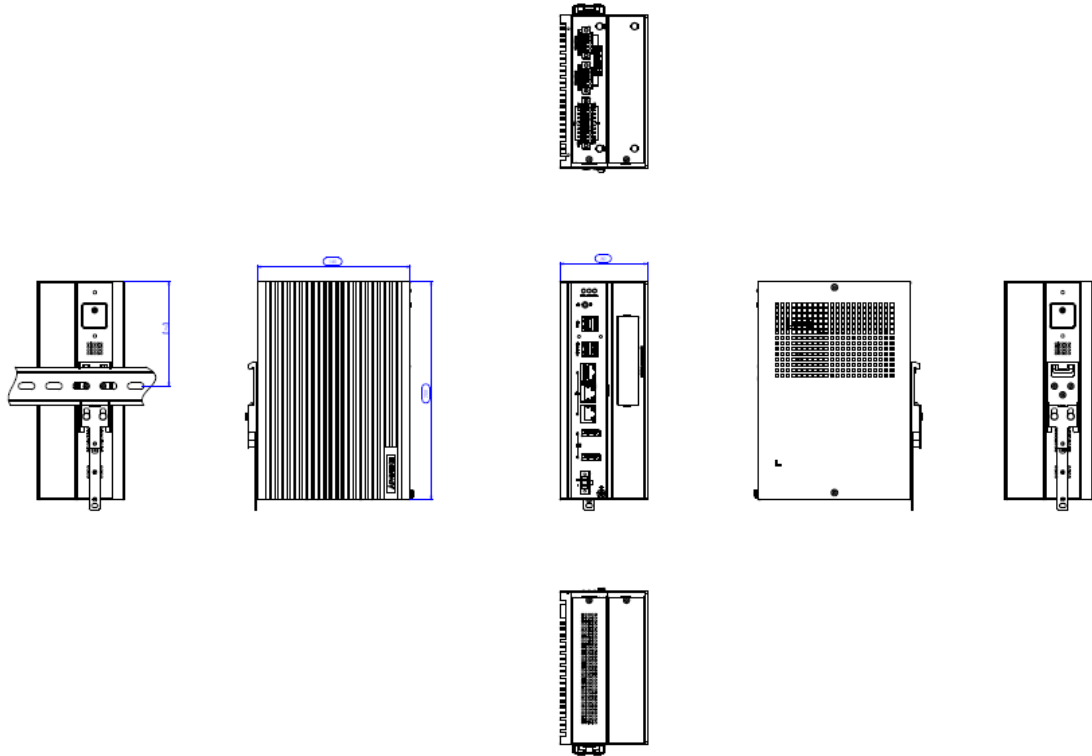


Figure 1.3 UNO-148 Dimensions (With UNO-148-ID1EA Optional Extension Kit)

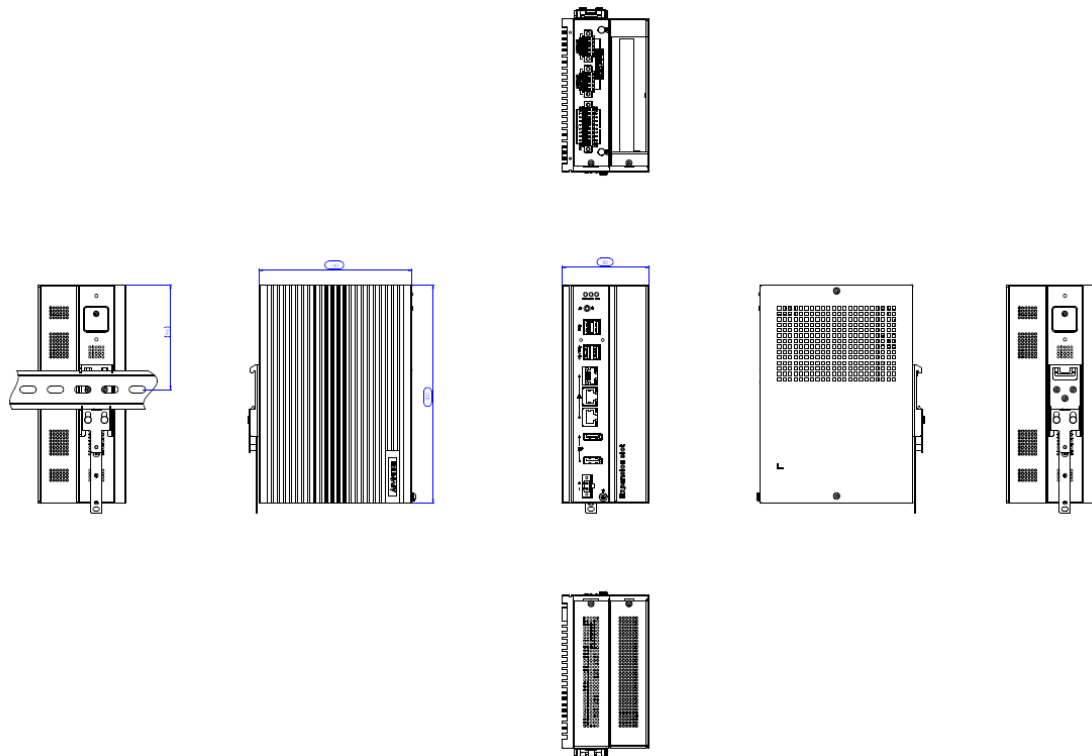


Figure 1.4 UNO-148 Dimensions (With UNO-148-ID1EA Optional Extension Kit)

# Chapter 2

## Hardware Functionality

This chapter details setup instructions for UNO-148's hardware functions. It includes connecting peripherals and indicators.

- Introduction
- External I/O Connector
- Internal I/O Connector
- LED Indicators
- Reset Buttons
- Antenna Hole

## 2.1 Introduction

The following diagram demonstrates the location of UNO-148's motherboard's key components and internal/external connectors.

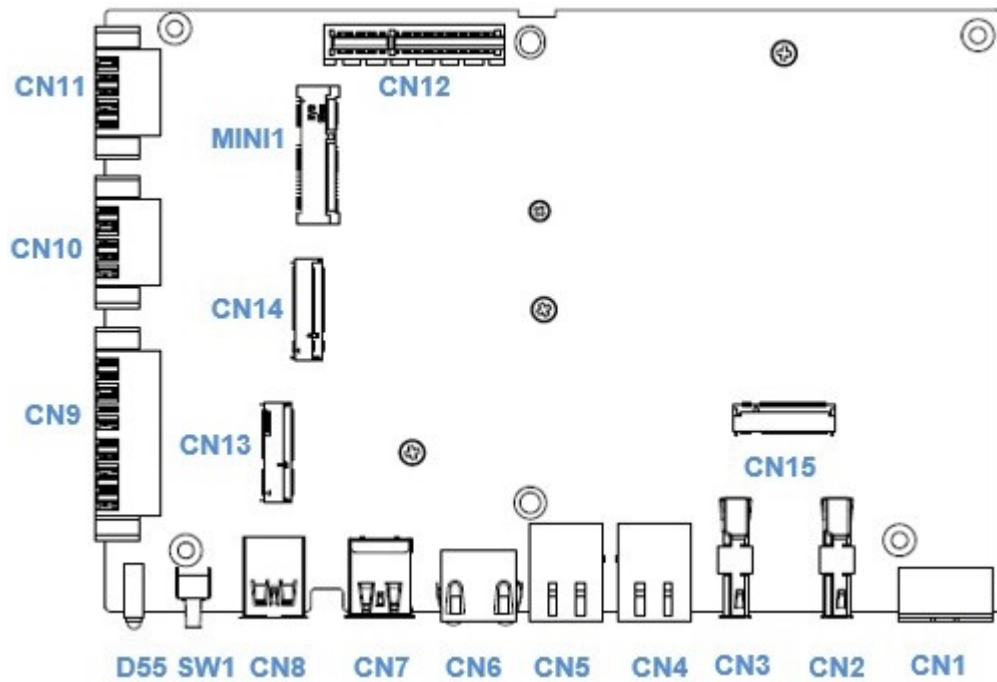


Figure 2.1 Diagram of Connector Locations on UNO-148 (Top Side)

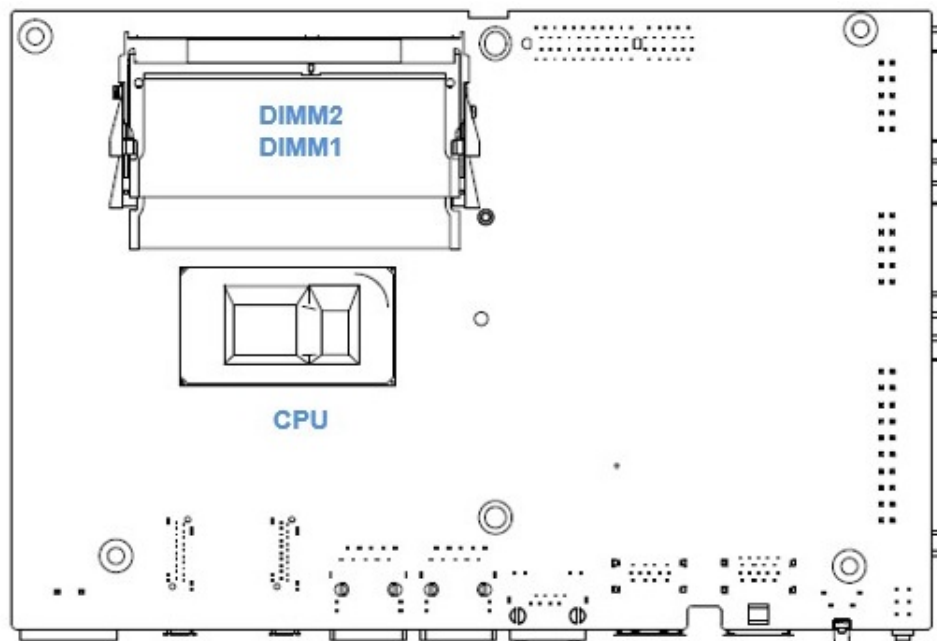


Figure 2.2 Key Components Locations of UNO-148 (Bottom Side)

**Table 2.1: Key Components, Connectors on Board**

| Category | Label                                       | Function                               |
|----------|---|--|
| External | CN1   | Power Connector                        |
|          | CN2   | Displayport Connector                  |
|          | CN3   | Displayport Connector                  |
|          | CN4   | LAN Connector                          |
|          | CN5   | LAN Connector                          |
|          | CN6   | LAN Connector                          |
|          | CN7   | USB 3.0+2.0 Connector                  |
|          | CN8   | USB 3.0 x2 Connector                   |
|          | SW1   | Reset Button + Power Button            |
|          | D55   | LED Indicator                          |
|          | CN9   | 8DI/ 8DO Terminal Connector            |
| CN10     | COM Port Terminal Connector (RS232/422/485) |  |
| CN11     | COM Port Terminal Connector (RS232/422/485) |  |
| Internal | CN12  | Riser Connector                        |
|          | MINI1                                       | MiniPCIe Connector                     |
|          | CN14  | M.2 B key for 2242/3042/3052 Connector |
|          | CN13  | M.2 E key for 2230 Connector           |
|          | CN15  | M.2 M key for 2280 Connector           |
|          | DIMM2                                       | Memory Slot                            |
|          | DIMM1                                       | Memory Slot                            |
| CPU      | CPU   |  |

## 2.2 External I/O Connector

### 2.2.1 UNO-148 Base Unit

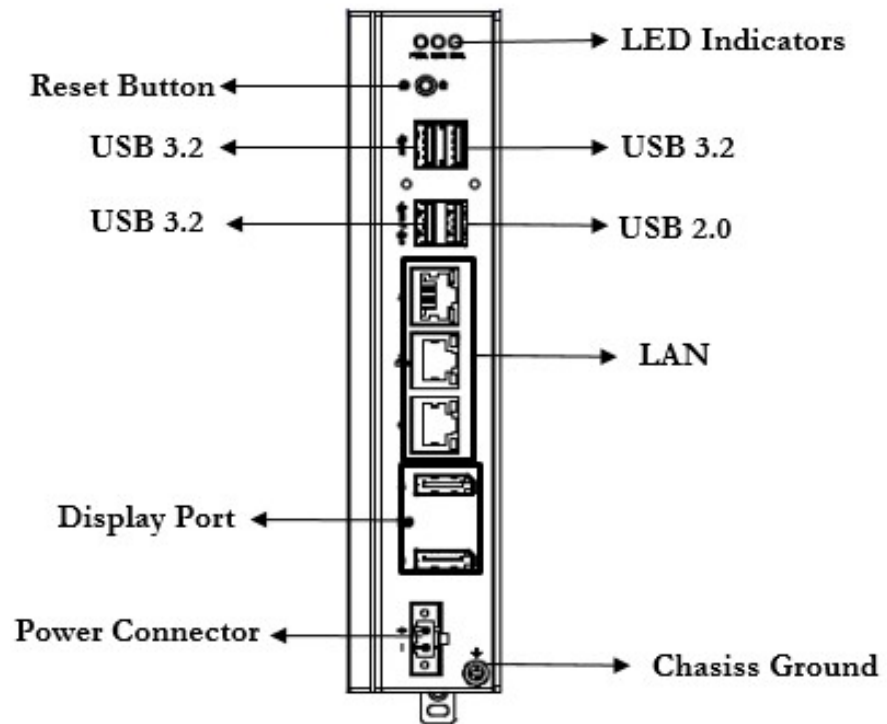


Figure 2.3 Front Panel of UNO-148

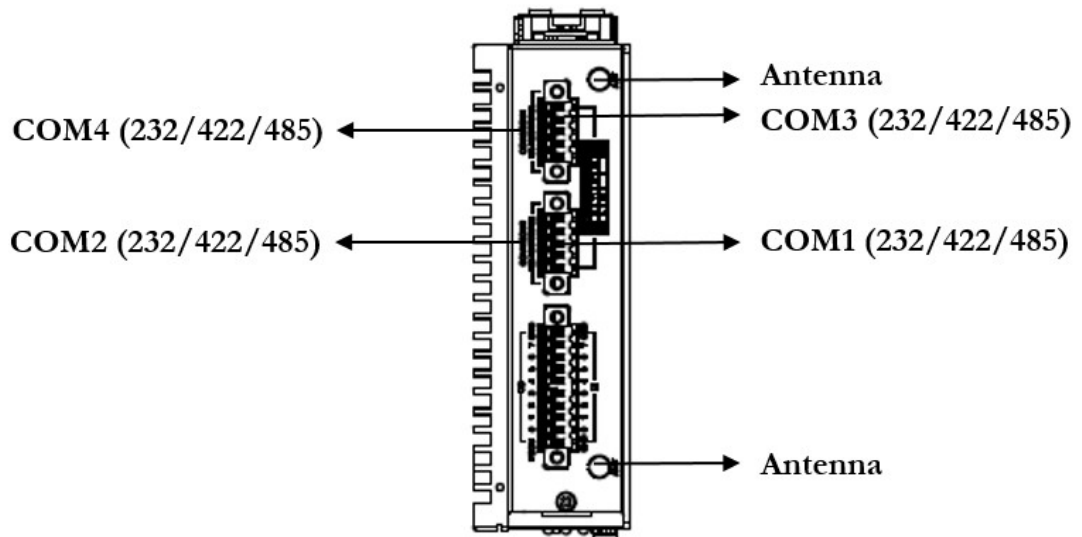
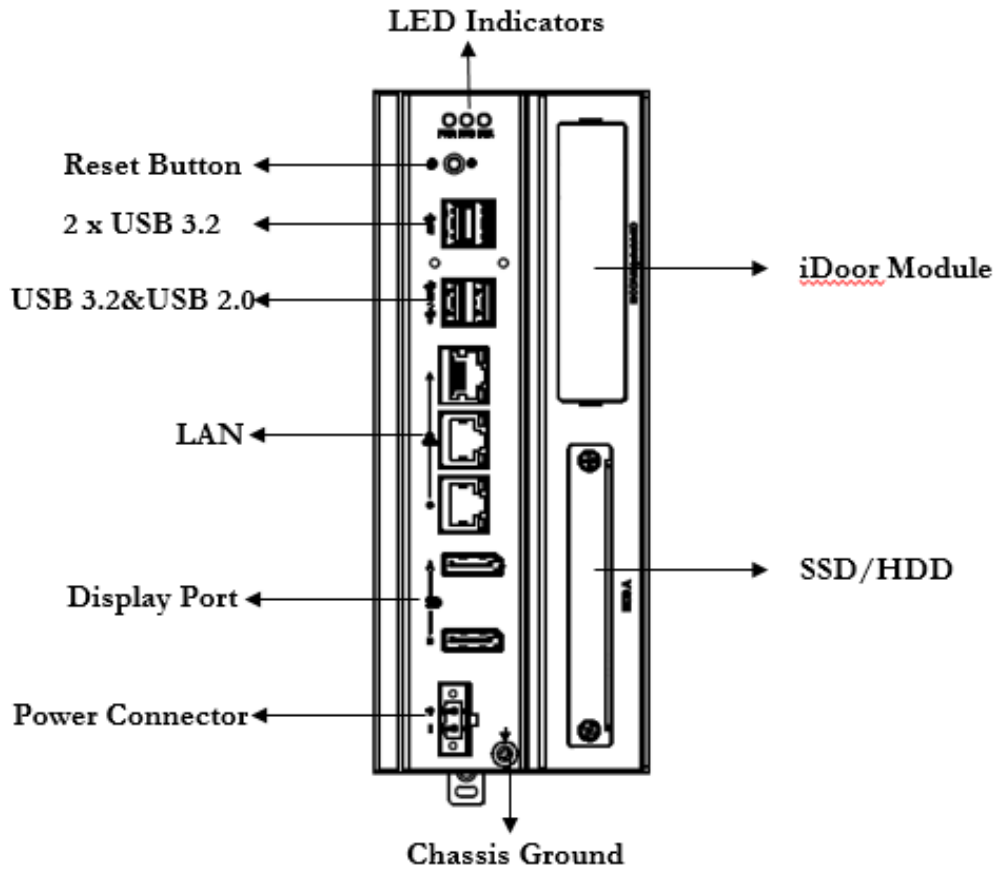


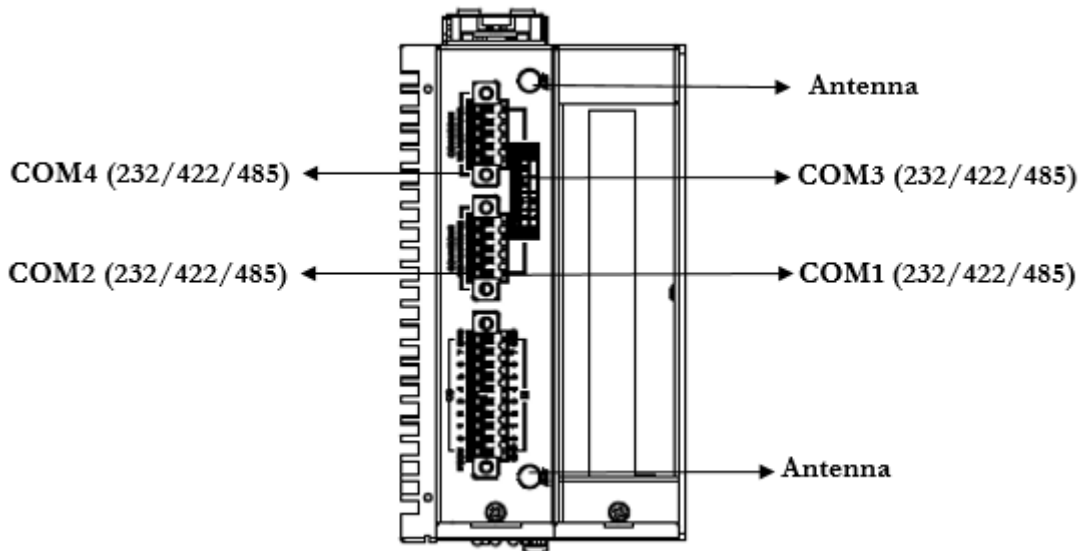
Figure 2.4 Top View of UNO-148



**2.2.2 UNO-148 Base Unit with UNO-148-IS2EA Expansion Unit (1 x iDoor and 1 x 2.5"SSD/HDD)**



**Figure 2.5 Front Panel of UNO-148**



**Figure 2.6 Top View of UNO-148**

### 2.2.3 UNO-148 Base Unit with UNO-148-ID1EA Expansion Unit (iDoor x 1)

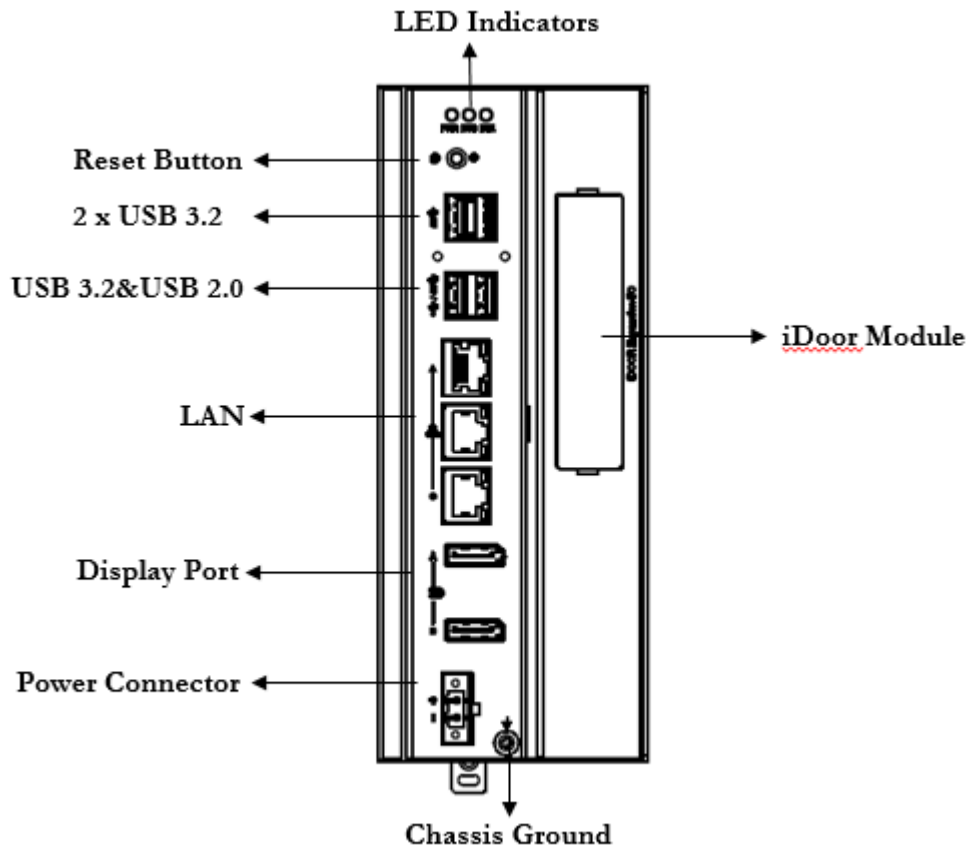


Figure 2.7 Front Panel of UNO-148

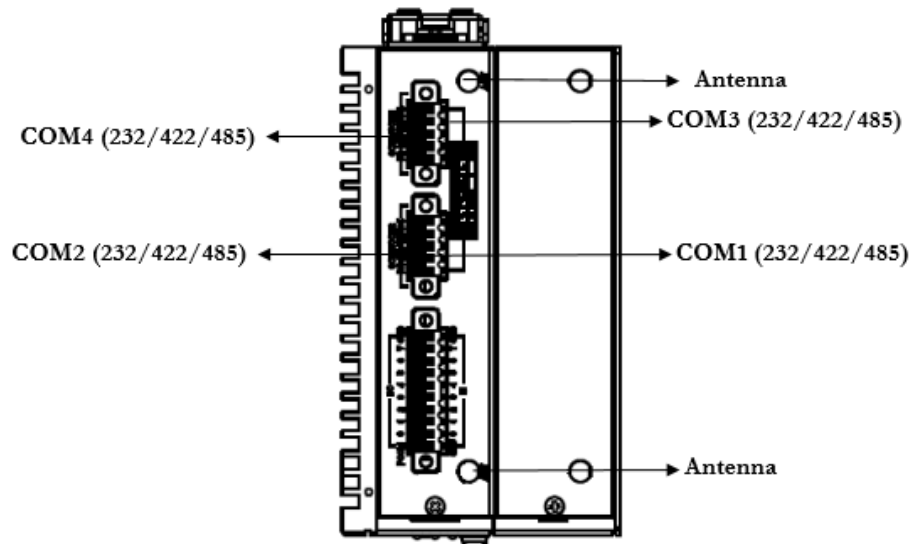
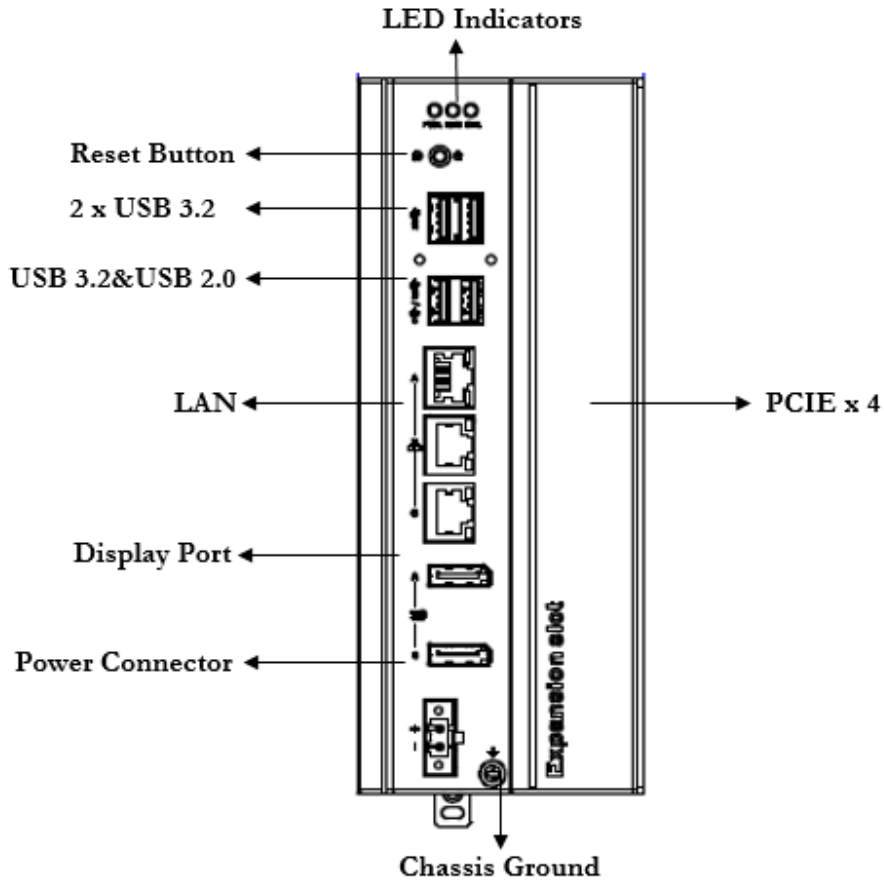
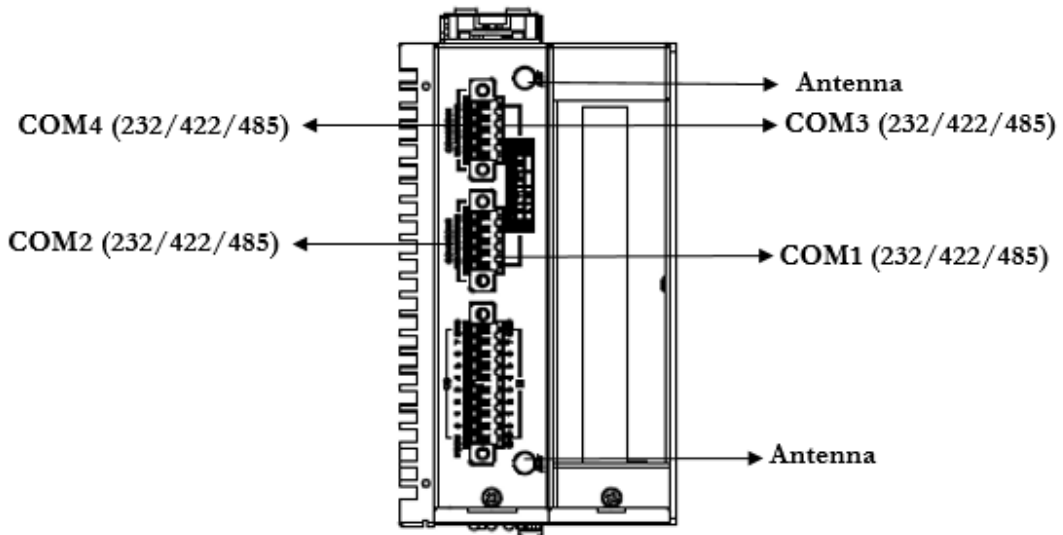


Figure 2.8 Top View of UNO-148

**2.2.4 UNO-148 Base Unit with UNO-148-P11EA Expansion Unit (1x PCIe expansionx4)**



**Figure 2.9 Front Panel of UNO-148**



**Figure 2.10 Top View of UNO-148**

---

### **2.2.5 Power Connector**

UNO-148 comes with a Phoenix connector that carries 10 - 36 V<sub>DC</sub> external power input, and features reversed wiring protection. Therefore, the system will not accrue damage from reversed polarity of ground lines and power lines.

### **2.2.6 LAN: Ethernet Connector**

UNO-148 is equipped with two Gigabit LAN controllers. An Intel® i210/i219/i225 Ethernet controller that complies with IEEE 802.3u 10/100/1000/2500 Base-T is used as the controller chip. The Ethernet port is a standard RJ-45 jack. Additionally, LED indicators are provided on the front of the device to indicate the system's Link (off/green/orange) and Active (green) status.

### **2.2.7 USB Connector**

UNO-148 features 4x USB ports that comply with USB EHCI, 3 for Rev. 3.2, 1 for Rev. 2.0 (Type A) specifications. The USB connectors support plug-and-play and hot-swap- ping functionality for external devices. Additionally, this can be enabled/disabled in the BIOS menu.

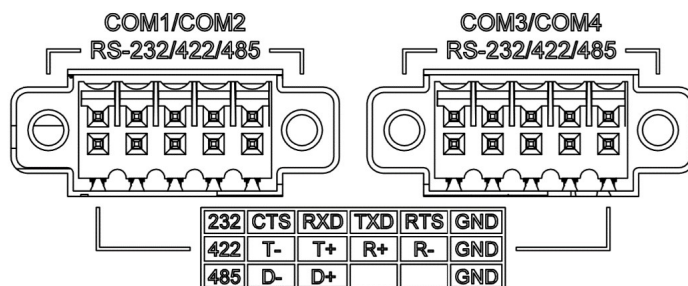
### **2.2.8 Display Connector**

The UNO-148 provides 2x DP 1.4 connector for a high resolution interface up to 7680x 3840 @ 60Hz, It also supports DP++ that can be compatible with passive adapter.

## 2.2.9 COM Connector

UNO-148 has 4 x COM RS232/422/485 ports of terminal block type. They offer transmission speeds of 50 ~115.2 kbps.

The default mode for both COM ports (COM1&COM2) is RS-232 Mode. Settings can be adjusted via an on-board switch (SW1).

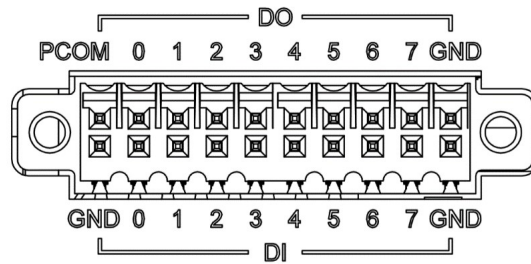


**Table 2.2: COM Connector Pin Assignments**

| Pin | COM1 Mode | Signal Name | Pin | COM2 Mode | Signal Name |
|-----|-----------|-------------|-----|-----------|-------------|
| 1   | RS232     | CTS         | 2   | RS232     | CTS         |
|     | RS422     | T-          |     | RS422     | T-          |
|     | RS485     | D-          |     | RS485     | D-          |
| 3   | RS232     | RXD         | 4   | RS232     | RXD         |
|     | RS422     | T+          |     | RS422     | T+          |
|     | RS485     | D+          |     | RS485     | D+          |
| 5   | RS232     | TXD         | 6   | RS232     | TXD         |
|     | RS422     | R+          |     | RS422     | R+          |
|     | RS485     |             |     | RS485     |             |
| 7   | RS232     | RTS         | 8   | RS232     | RTS         |
|     | RS422     | R-          |     | RS422     | R-          |
|     | RS485     |             |     | RS485     |             |
| 9   | RS232     | GND         | 10  | RS232     | GND         |
|     | RS422     | GND         |     | RS422     | GND         |
|     | RS485     | GND         |     | RS485     | GND         |

## 2.2.10 Digital Input and Output

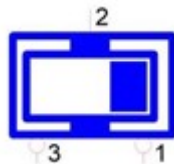
There are 8x digital inputs and 8x digital outputs configured from GPIO pins for on/off triggering and status reading.



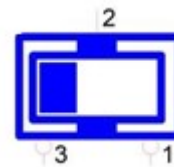
The following table indicates the mapping for DIO and GPIO.

|          |        |       |       |       |
|----------|--------|-------|-------|-------|
| GPIO Pin | Pin 0  | Pin1  | Pin2  | Pin3  |
| DI Pin   | DI0    | DI1   | DI2   | DI3   |
| GPIO Pin | Pin 4  | Pin5  | Pin6  | Pin7  |
| DI Pin   | DI4    | DI5   | DI6   | DI7   |
| GPIO Pin | Pin 8  | Pin9  | Pin10 | Pin11 |
| DO Pin   | DO0    | DO1   | DO2   | DO3   |
| GPIO Pin | Pin 12 | Pin13 | Pin14 | Pin15 |
| DO Pin   | DO4    | DO5   | DO6   | DO7   |

Use SW3 to set Wet Contact and Dry Contact for Digital input.



Dry: Configure to Setting 1 (Default)



Wet: Configure to Setting 3

### Digital Input

- Input Channels 8
- Input Voltage (Wet Contact), Configure SW3 to Setting 3
  - Logic 0: 10~30 V<sub>DC</sub>
  - Logic 1: 0~3 V<sub>DC</sub>
- Input Voltage (Dry Contact), Configure SW3 to Setting 1
  - Logic 0: Shorted to GND
  - Logic 1: Open
- Isolation Protection 2,500 V<sub>DC</sub>
- Over-voltage Protection 30 V<sub>DC</sub>
- Opto-Isolator Response 50 μs

### Digital Output

- Output Channels 8
- Output Voltage: 5~30 V<sub>DC</sub>
- Output Capability Sink: 500 mA max./channel
- Opto-Isolator Response 50 μs

### Isolated Digital Input

Each of the 8 x isolated digital input channels accept voltages from 0 to 30 V. The following figure shows how to connect an external input source to the isolated inputs of UNO- 148.

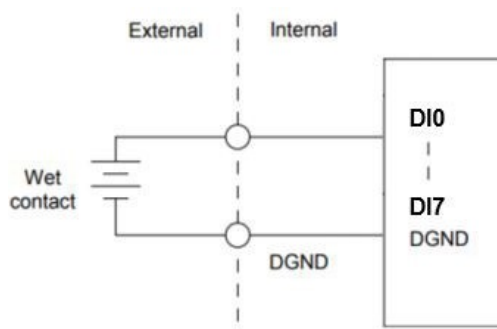


Figure 2.11 Isolated DI Wet Connection Diagram

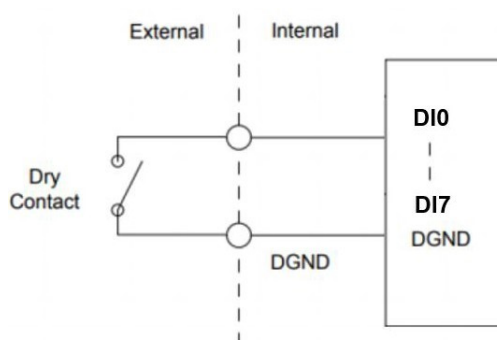


Figure 2.12 Isolated DI Dry Connection Diagram

## Isolated Digital Output

If the external voltage source (5~30 V) is connected to each isolated digital output channel and its isolated digital output turns on (500 mA max./ch), the board's current will sink from the external voltage source. The following figure shows how to connect an external output load to the isolated outputs on UNO-148.

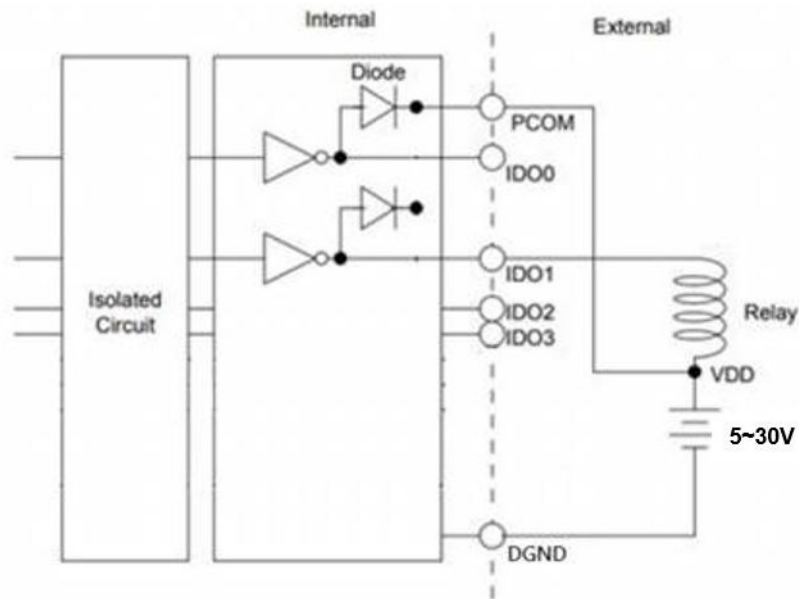


Figure 2.13 Isolated DO Connection Diagram

## 2.3 Internal I/O Connectors and Switches

The following figure demonstrates the locations of internal connectors and switches on the UNO-148's motherboard.

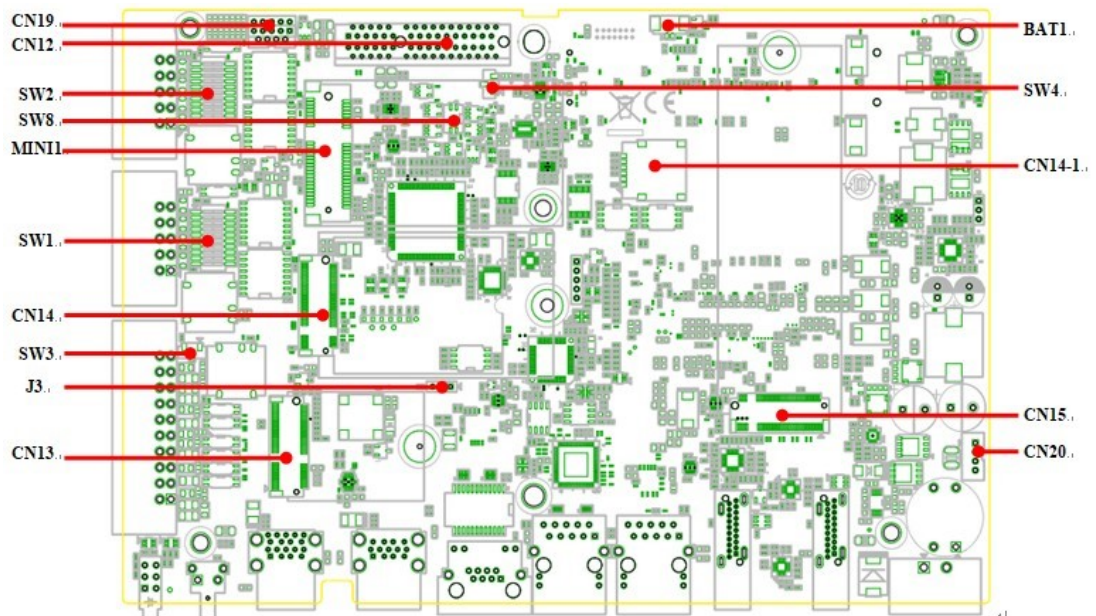


Figure 2.14 Locations Internal I/O Connectors/Switches for UNO-148



**Table 2.3: Internal Connectors and Jumper Switches**

| Label  | Function                               |
|--------|--|
| CN19   | Internal USB Connector                 |
| CN12   | Riser Connector                        |
| SW2    | COM Port RS232/422/485 settings r      |
| SW8    | AT/ATX/Remote setting                  |
| MINI1  | MiniPCle Connector                     |
| SW1    | COM Port RS232/422/485 settings        |
| CN14   | M.2 B key for 2242/3042/3052 Connector |
| SW3    | DI Setting (Dry/Wet)                   |
| J3     | Clear CMOS Connector                   |
| CN13   | M.2 E key for 2230 Connector           |
| CN20   | iDoor Power Connector                  |
| CN15   | M.2 M key for 2280 Connector           |
| CN14-1 | Nano SIM slot Connector                |
| BAT1   | RTC Battery Connector                  |
| SW4    | BIOS update Setting                    |

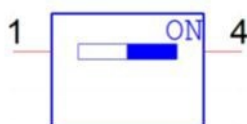
**Note!** \*This power is from DC Power inputs.



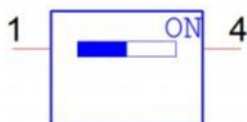
Configure the UNO-148 to match the needs of your application by setting switches, The following details the switch setting definitions:

Dip switch definition:

Bit 1: on



Bit 1: off



### 2.3.1 M.2 Connector

There is one M.2 B Key connector for M.2 cards, labeled “CN14” on the board. This M.2 interface is a SATA signal co-lay with a USB signal. It will automatically detect which device you installed and determine the appropriate SATA or USB signal to use. Therefore, it supports the installation of M.2 2242 (w/SATA signal) or 3042/3052 module (w/ USB Signal).

### 2.3.2 mPCIe Connector

There’s one sockets for full size PCI Express mini cards, labeled “MINI1” on the board. It supports iDoor module for diversified applications such as isolated COM port, Profibus, WLAN GPRS, LTE, and MRAM. Users can install the iDoor easily with optional extension kit.

### 2.3.3 Nano SIM Slot

There’s one Nano SIM Slot for supporting LTE function, labeled “CN14-1” on board. In addition to install SIM card on “CN14-1”, users are required to install a LTE Module on “CN14” M.2 B Key to enable the functionality.

## 2.4 Others

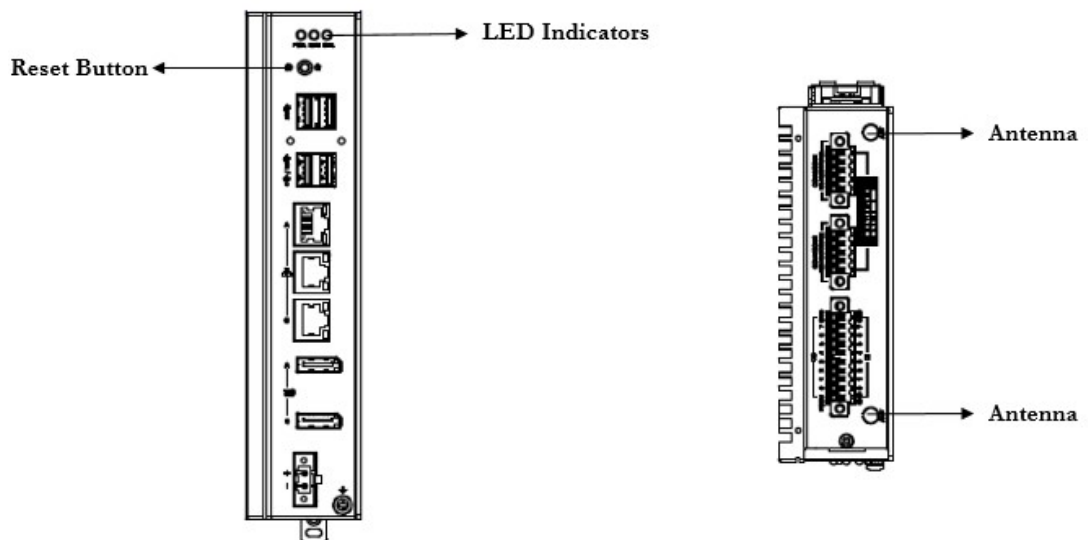


Figure 2.15 Indicators, Reset Buttons, and Antenna Hole

### 2.4.1 LED Indicators

Three LEDs indicate the status of the system’s power, RTC battery, and programmable LED for user’s configurations.

- PWR (Power): Green indicates “normal” and orange indicates “standby”.
- BTR (RTC Battery): Red indicates a low RTC battery. Check the RTC battery.
- RUN (Programmable): Users can configure the LED indicator’s behavior through GPO signal controls. Green indicates under programming.

### 2.4.2 Reset Buttons

Press the “Reset” button to initiate a hardware reset.

### 2.4.3 Antenna Hole

This product offers two antenna mounting holes covered by pre-cut holes for users to install an antenna kit for LTE or wireless functions.

**Note!** Please be aware of the Maximum OD value of the Antenna Hole when selecting antenna.

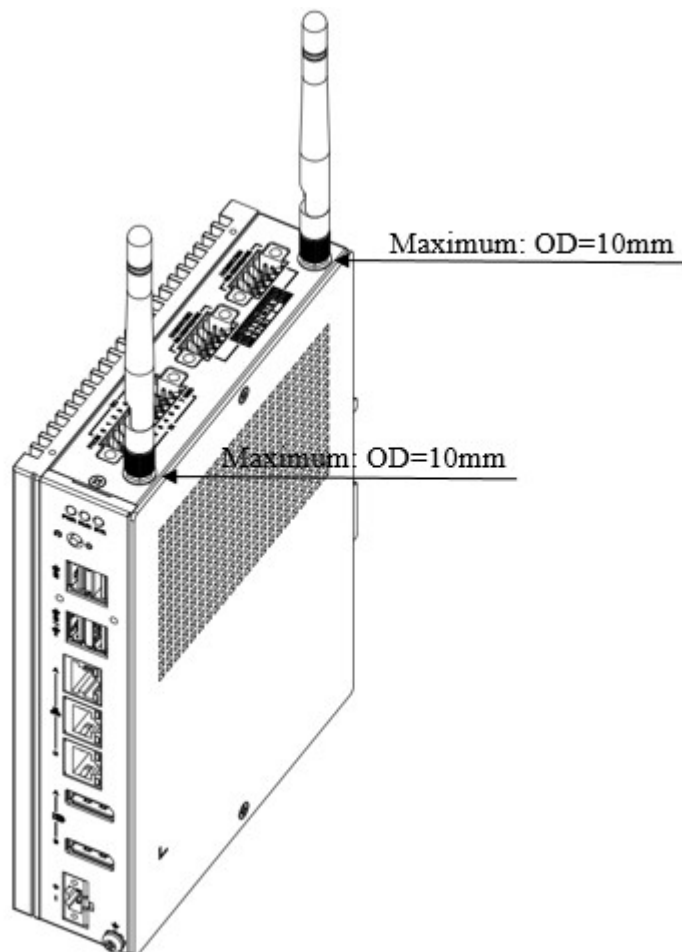


Figure 2.16 Diagram of Maximum OD Value for Antenna Hole



# Chapter 3

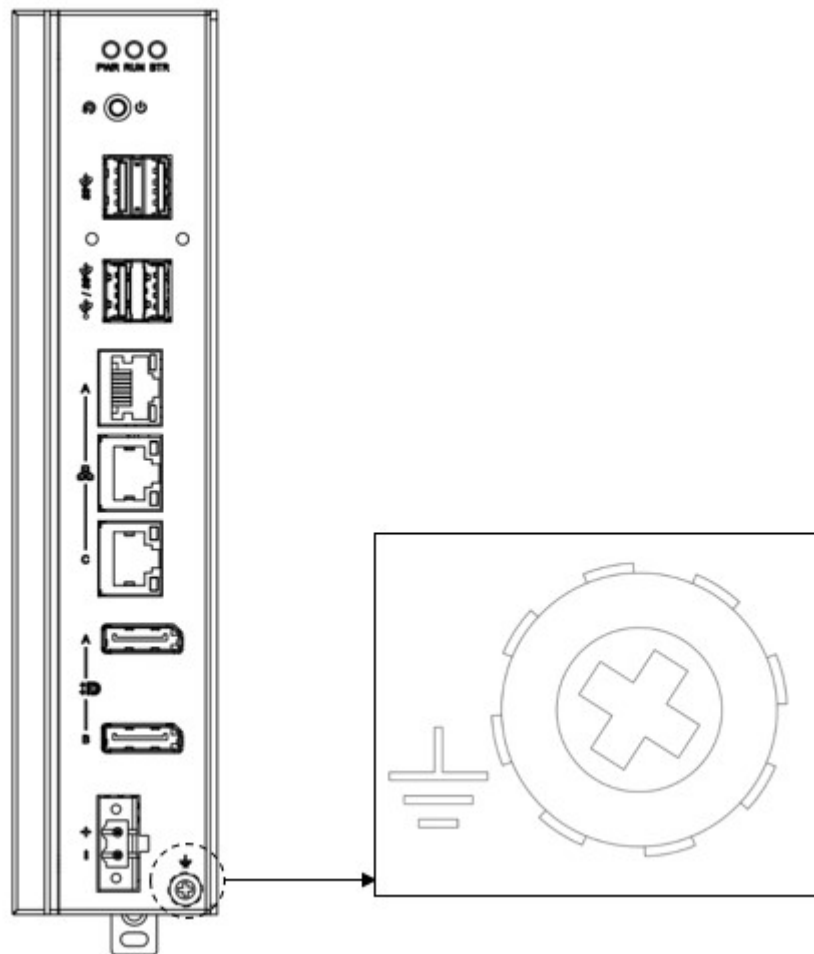
## Initial Setup

This chapter explains how to initialize the UNO-148.

- Chassis Grounding
- Connecting Power
- Storage Installation (Optional)
- Din-Rail Installation
- Wireless Module Installation (Optional)
- Expansion Module Installation (Optional)
- Remote Power/On & Reset Setting
- BIOS Setting

## 3.1 Chassis Grounding

The UNO-148 provides good EMI protection and a stable grounding base. There is an easy-to-connect chassis grounding point.



**Figure 3.1 Chassis Grounding Connection**

Earth terminal shall be used 16 AWG minimum size with green and yellow conductor to connector to earth.

## 3.2 Connecting Power

This product is intended to be supplied by an approved power adapter or DC power source. This adapter is rated at 10 - 36Vdc, 7.7-1.31A and has a Tmax of 70 °C (158 °F). If you need further assistance or information, please contact Advantech.

**Note!** *It is recommended to choose a 150W adapter when selected iDoor expansion module (e.g. PCM-24R2PE) is installed. Recommended PN: 96PSA-A150W24T2-3.*

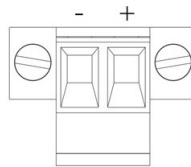


Follow below instructions:

1. Insert the positive and negative wires into the V+ and V- contacts on the terminal block connector.
2. Tighten the wire-clamps' screws to prevent the DC wires from coming loose.

Take the following guidelines into consideration before wiring the device:

1. The terminal block is suitable for 12-24 AWG (12A). Torque value 7 lb-in. Use copper conductors only.
2. The temperature rating of the input connection cable should be higher than 95 °C (203 °F).

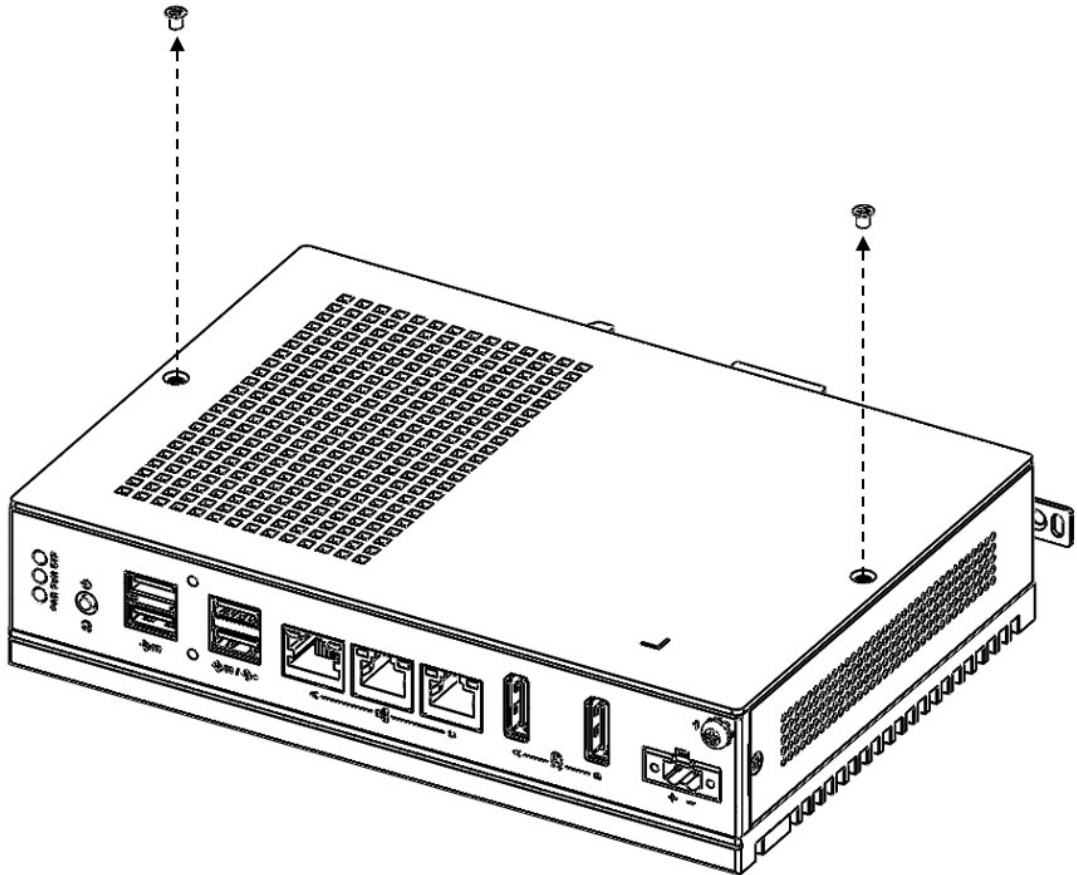


### 3.3 Storage Installation (Optional)

UNO-148 supports the installation of one M.2 2280 NVMe SSD. The installation is demonstrated in the following steps.

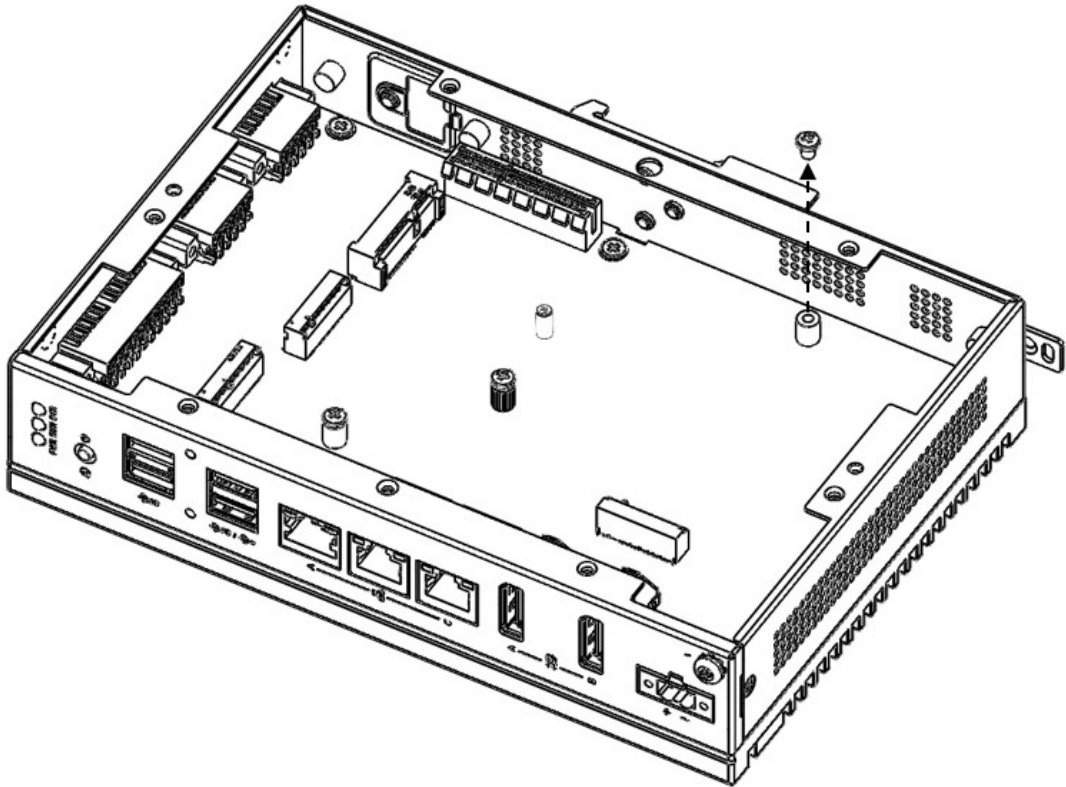
#### 3.3.1 Installing a M.2 2280 NVMe

1. Remove 2 screws from UNO's back cover.

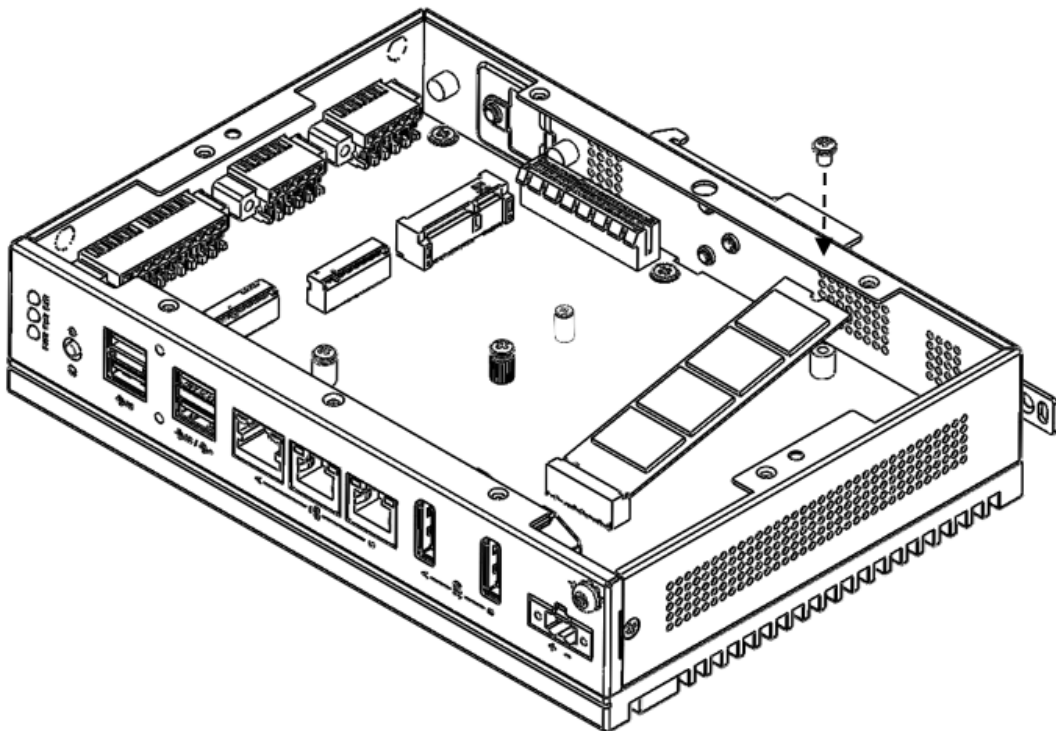


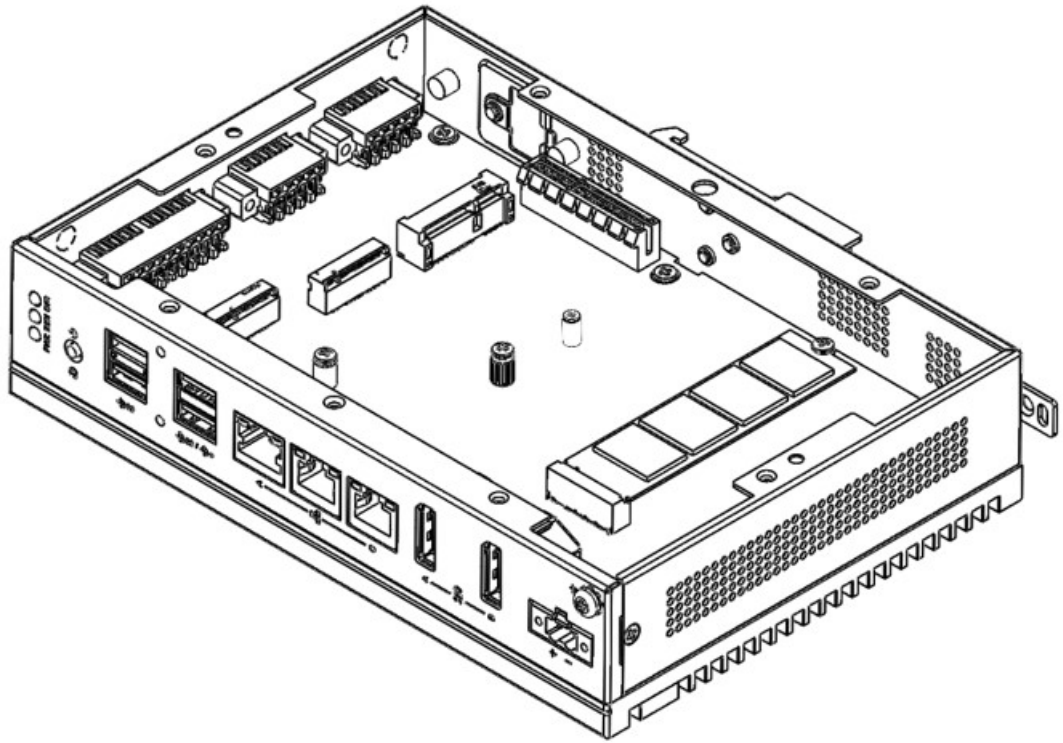


2. Remove the provided screws from the board.



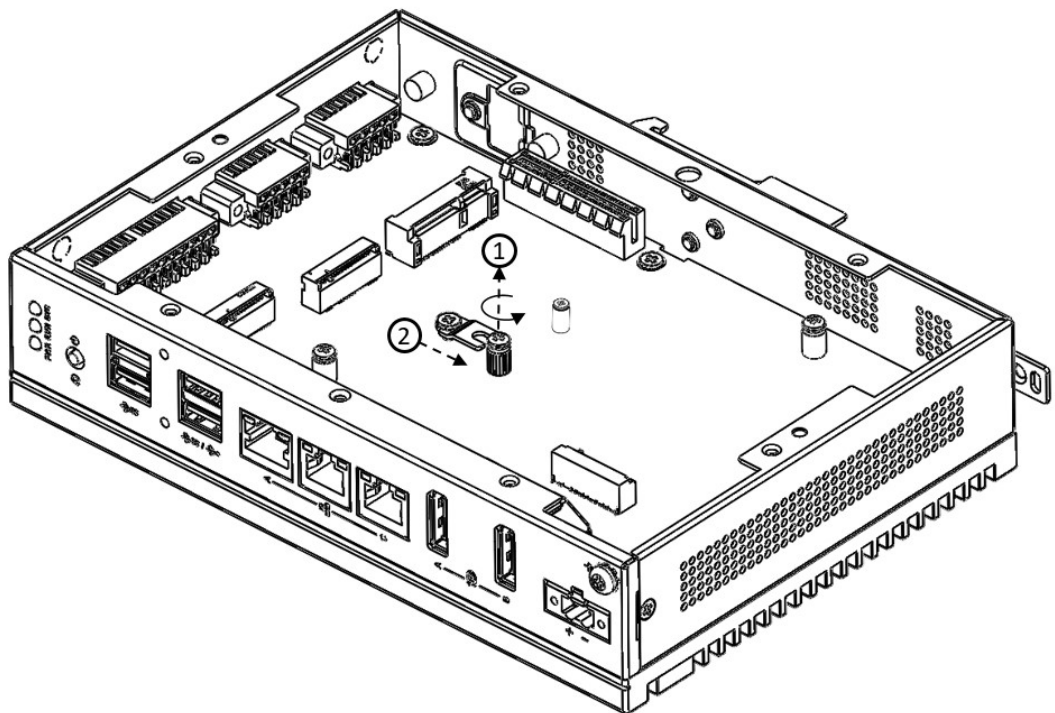
3. Insert the NVMe Card on the location. "CN15". Secure it with the provided screws from Step 2.



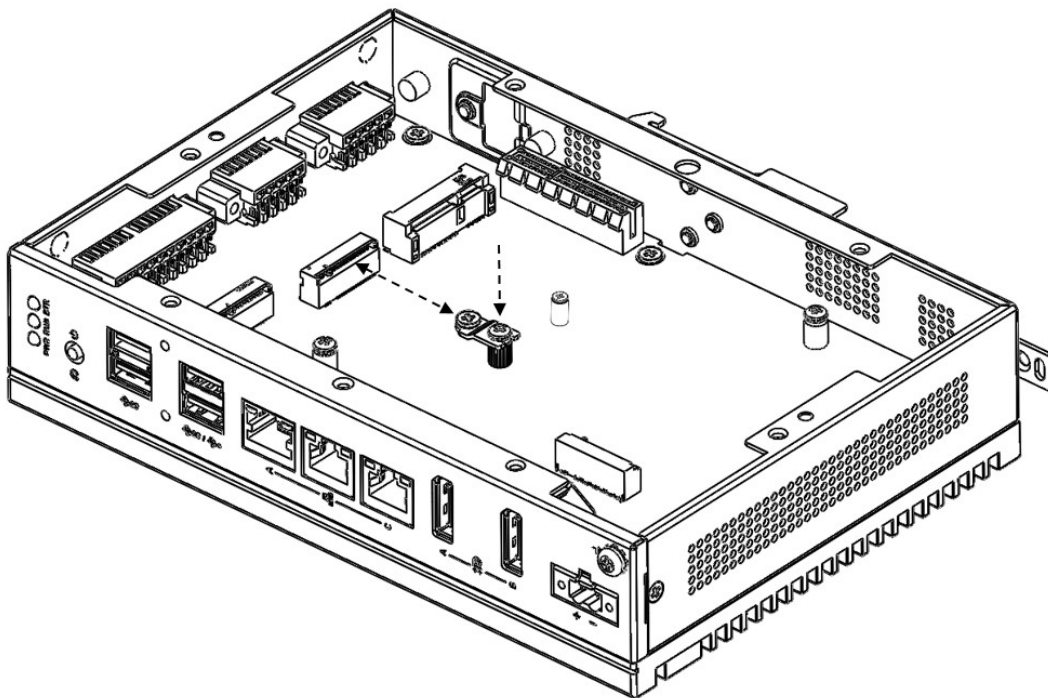


### 3.3.2 Installing M.2 3042 Module

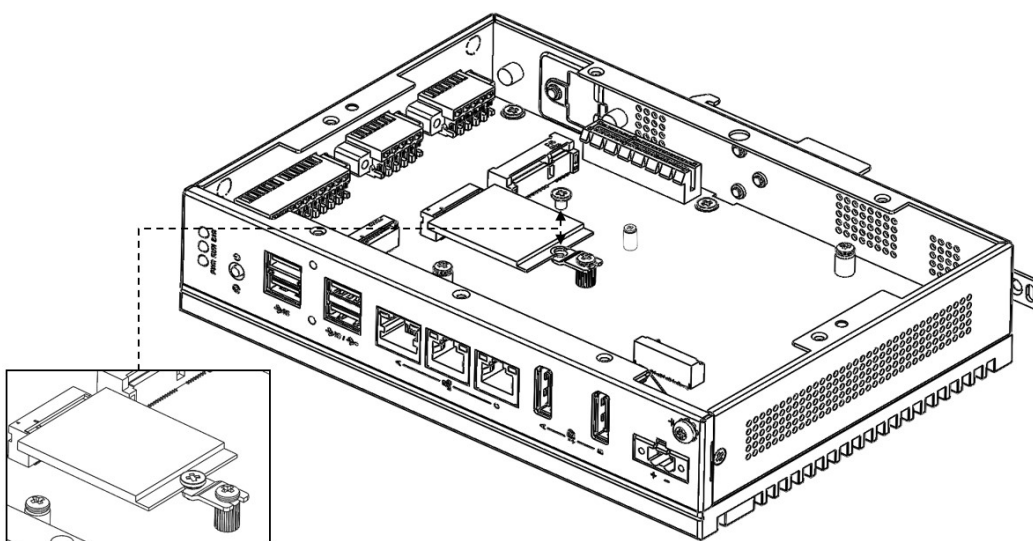
1. Loosen the provided screws from the board. (No need to remove the screw.)
2. Using the 3042 bracket from the accessory bag and Insert the in the gap where the screw is loosened from Step 1.



3. Move the 3042 bracket to the center of M.2 center and tighten the screws.

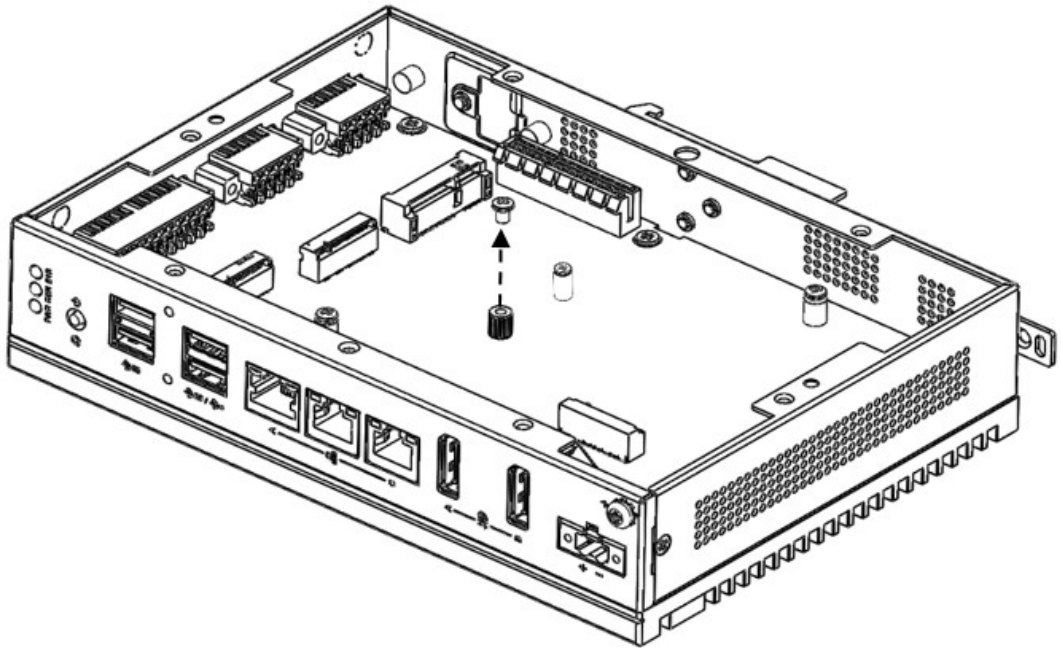


4. Remove the provided screws from the 3042 bracket first. Insert the M.2 3042 card and tighten the screw.

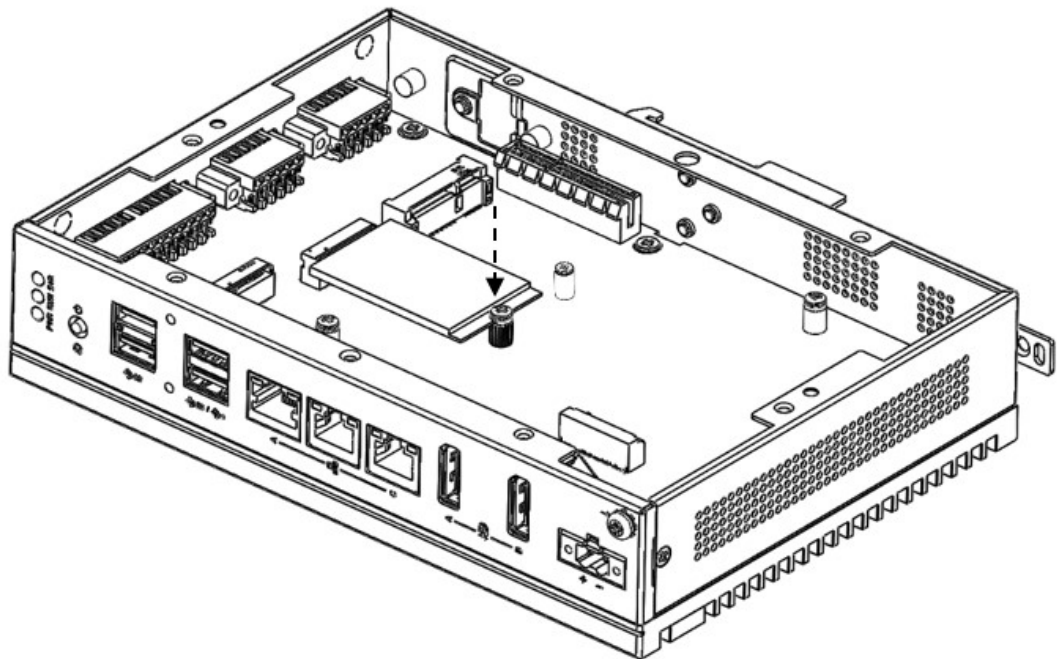


### 3.3.3 Installing M.2 3052 Module

1. Remove the provided screws from the board.

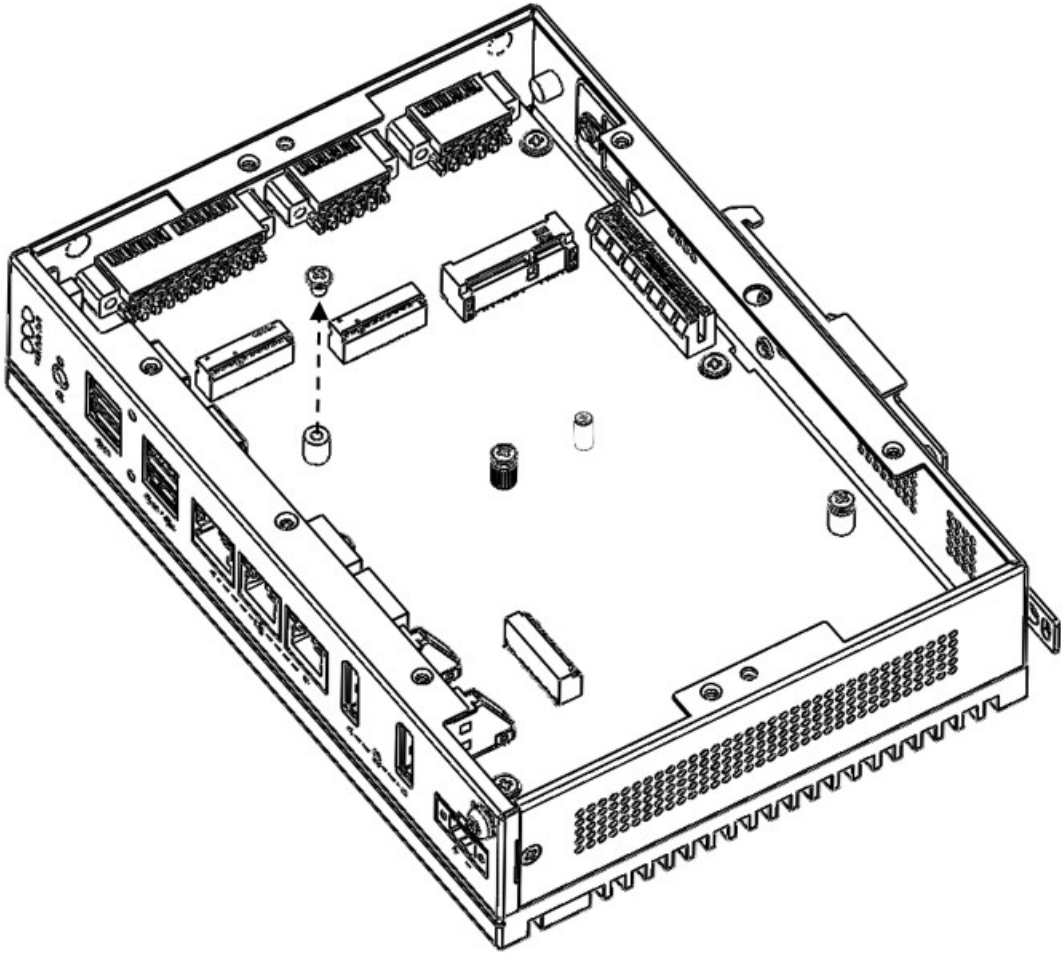


2. Insert the M.2 3052 to the location."CN14"and tighten the screw.

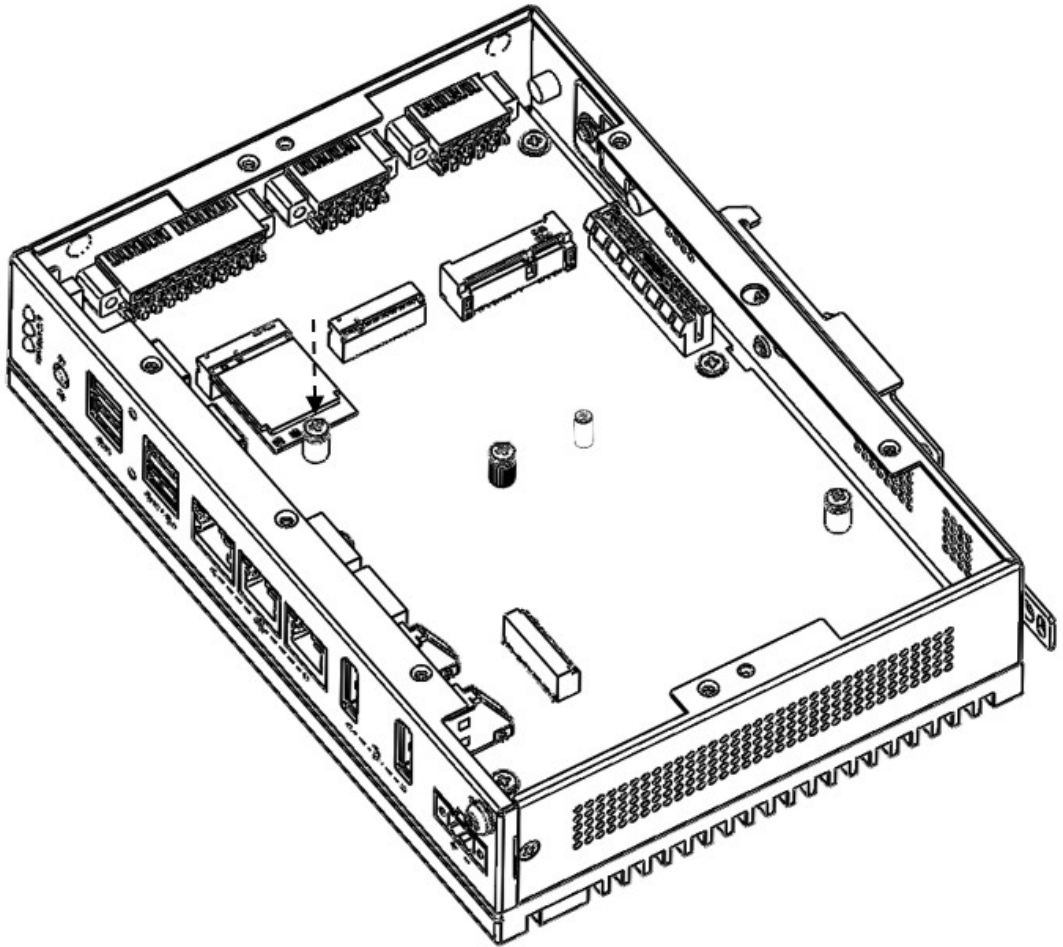


## 3.4 Installing M.2 2230 Module

1. Remove the provided screws from the board.

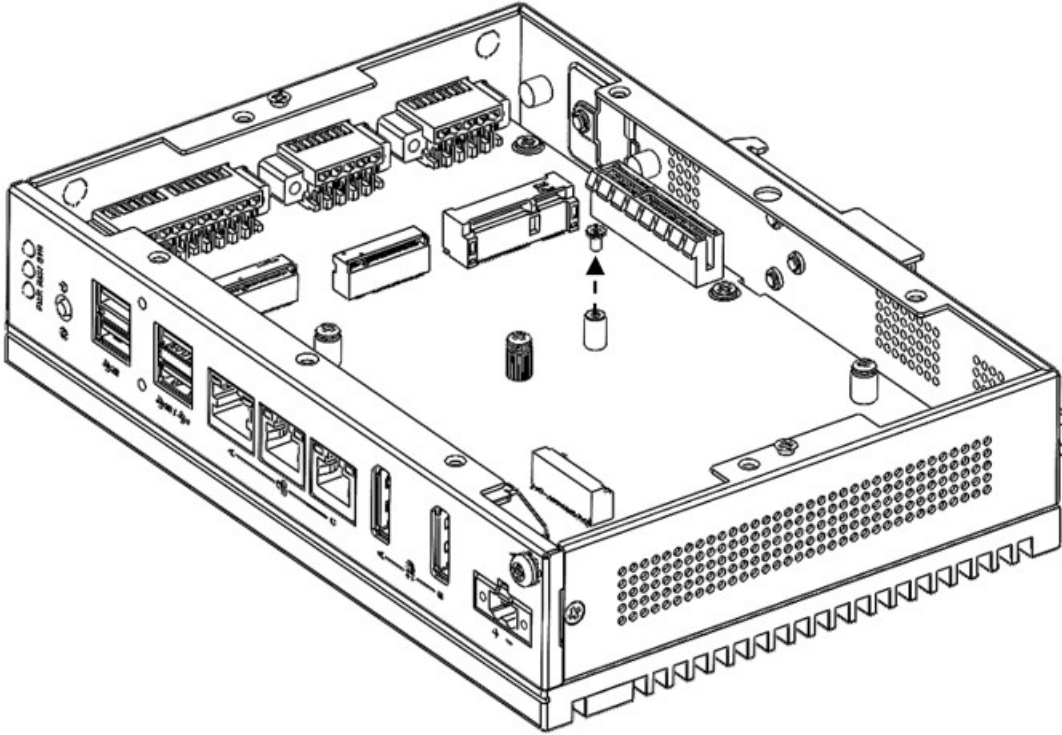


2. Insert the M.2 2230 to the location."CN13"and tighten the screw.

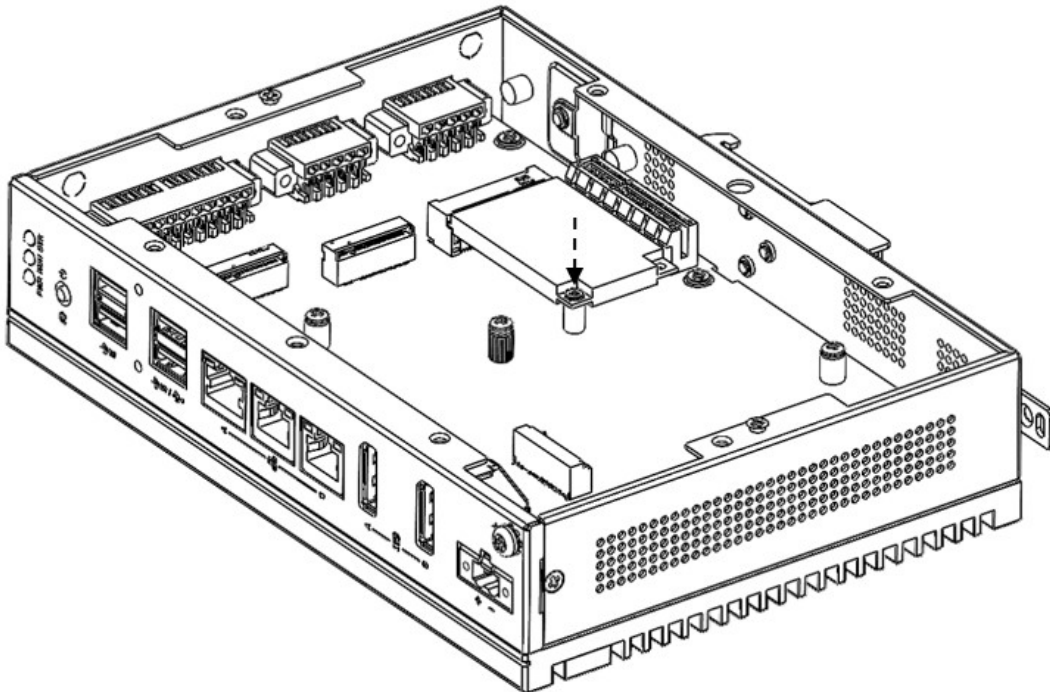


### 3.4.1 Installing mPCIE

1. Remove the provided screws from the board.

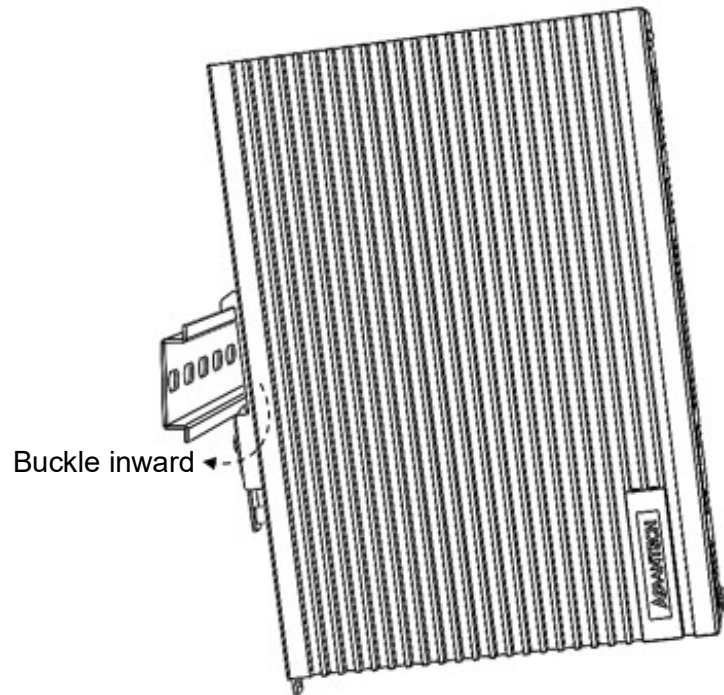


2. Insert the mPCIE to the location."MINI1" and tighten the screw.

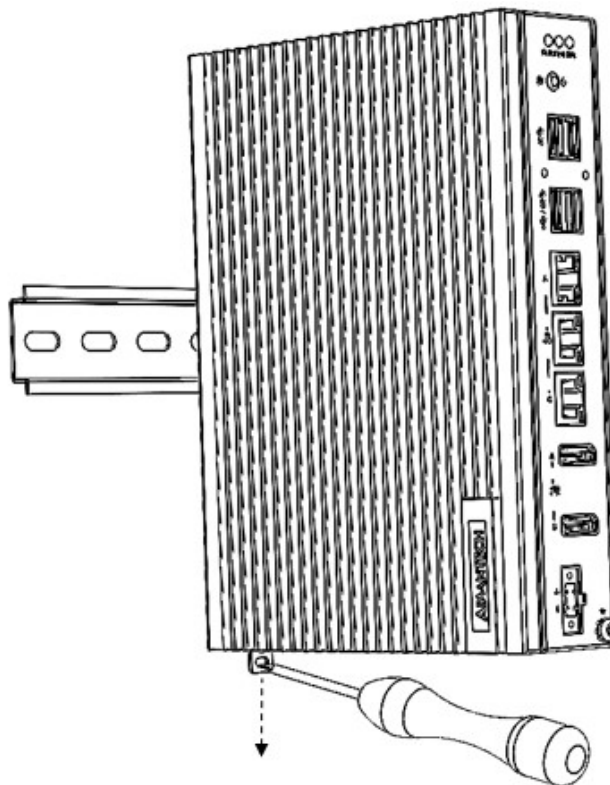


## 3.5 Din-Rail Installation

1. Install UNO-148 on the rail and secure it to the rail.



2. Pull down the "Release Latch" for disassembly using a screwdriver.

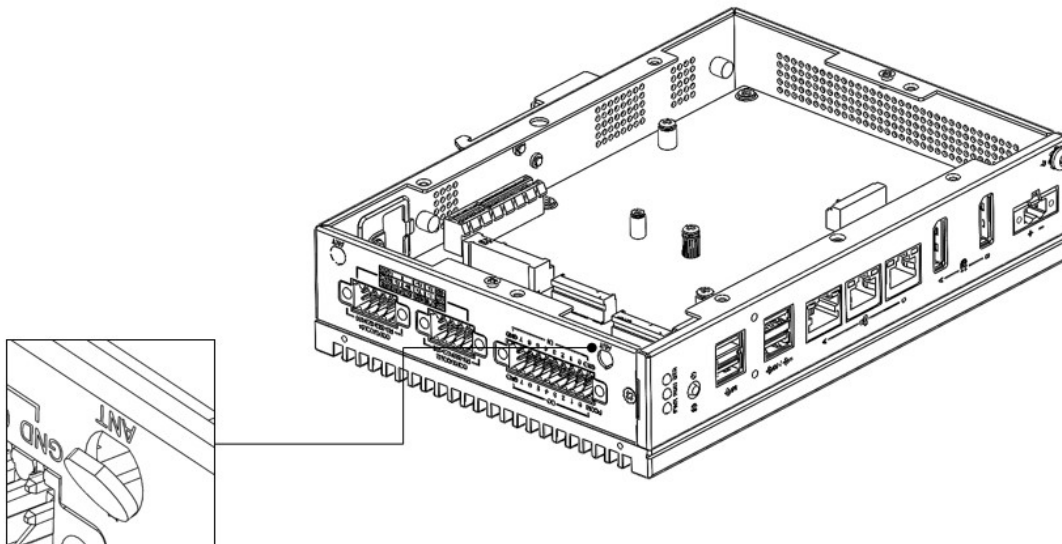




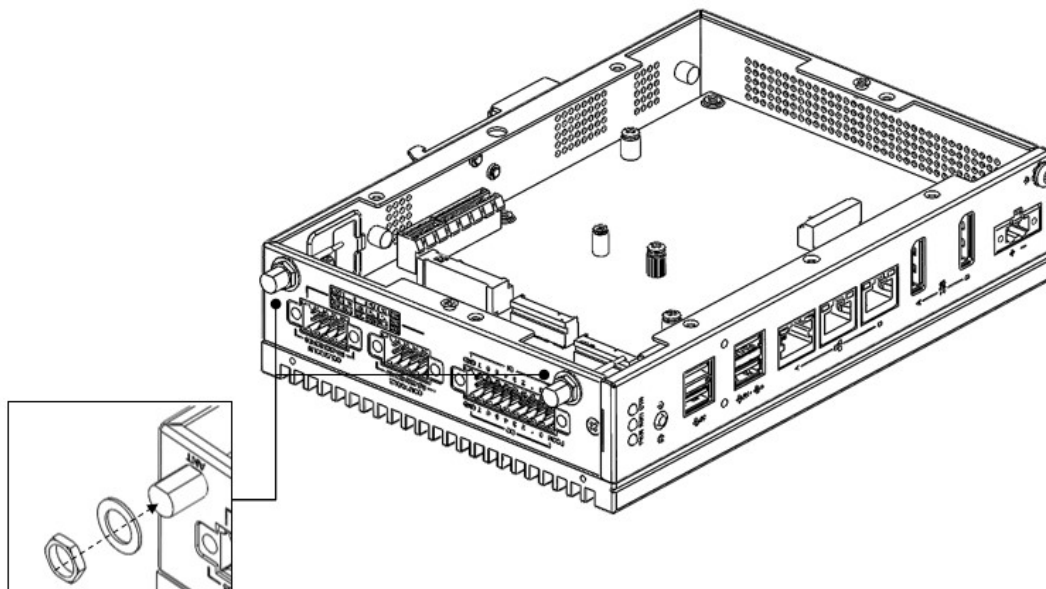
## 3.6 Wireless Module Installation (Optional)

UNO-148 supports to install WiFi iDoor/M.2 3042/M.2 3052 module. Follow the steps below for installation:

1. Remove 2 screws from back cover of UNO.
2. Remove the plug of antenna pre-cut hole(s) on the top panel for antenna installation.



3. Install the SMA connector of \*Antenna cable to the Antenna hole.
4. Connect the MHF of Antenna cable with module.
5. Fix the washers and screw nut.
6. Return the back cover and gently screw it into place.

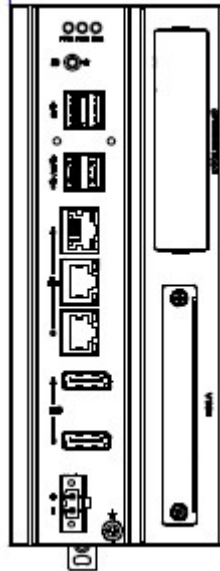


---

## 3.7 Extension Kit Installation (Optional)

### 3.7.1 iDoor and HDD/SSD Storage Extension Kit (UNO-148-IS2EA)

You can additionally install 2nd stack iDoor and external swappable 2.5" HDD/SSD Storage extension kit (PN: UNO-148-IS2EA) on UNO-148 to expand its functionality:



---

#### The accessory list for iDoor extension kit (PN: UNO-148-IS2EA)

---

5 x M3x4L screws for extension kit installation

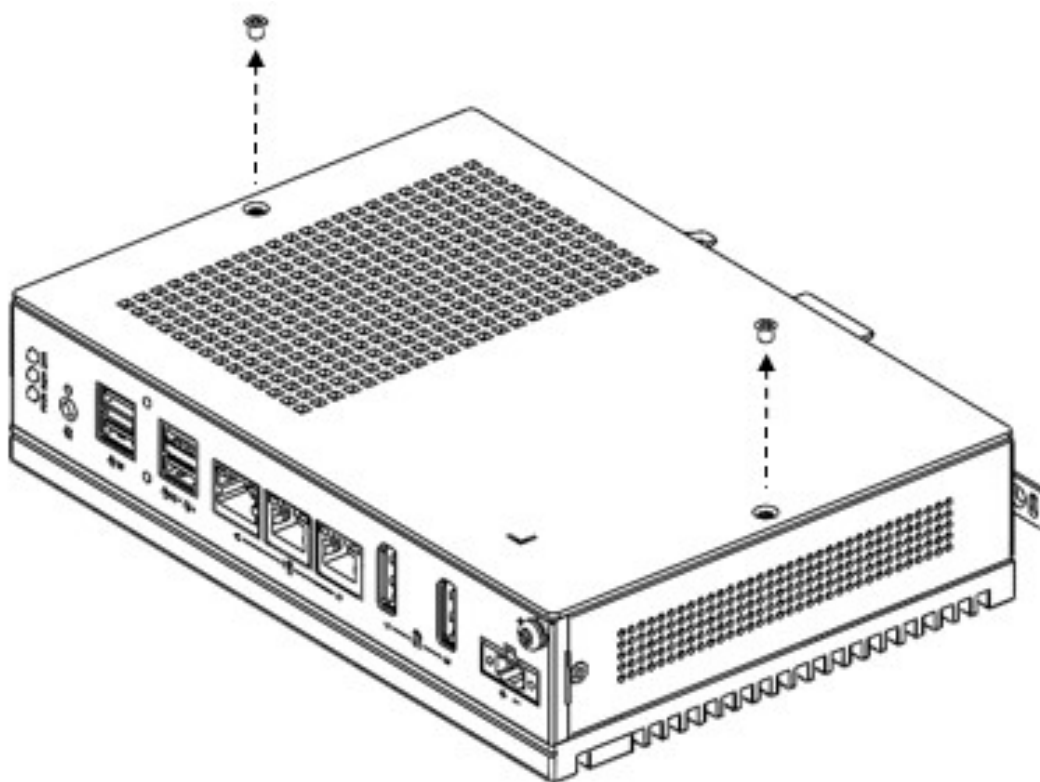
---

4 x M3x4L screws for HDD/SSD installation

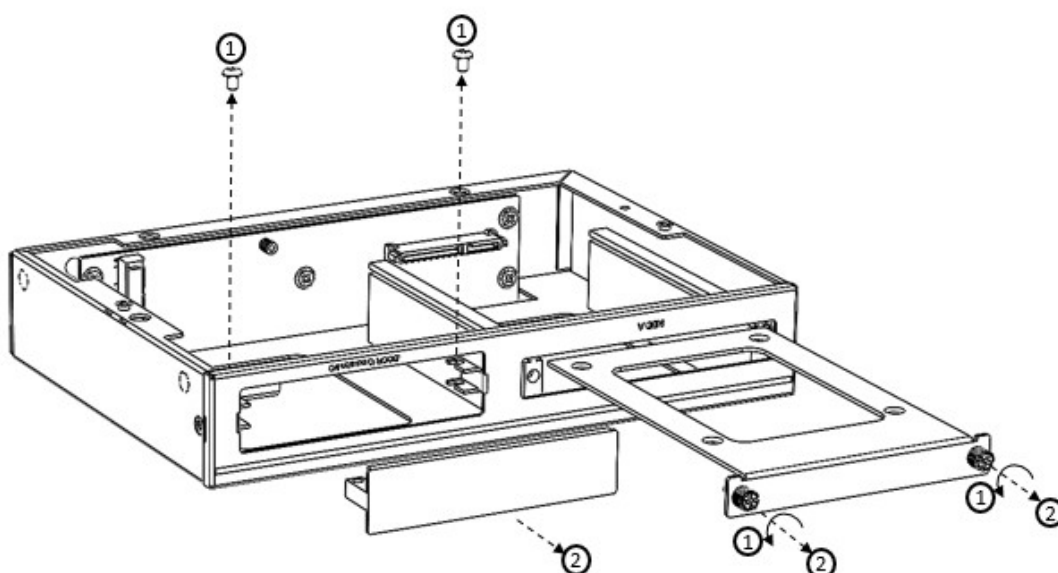
---

Follow the steps below for extension kit Installation:

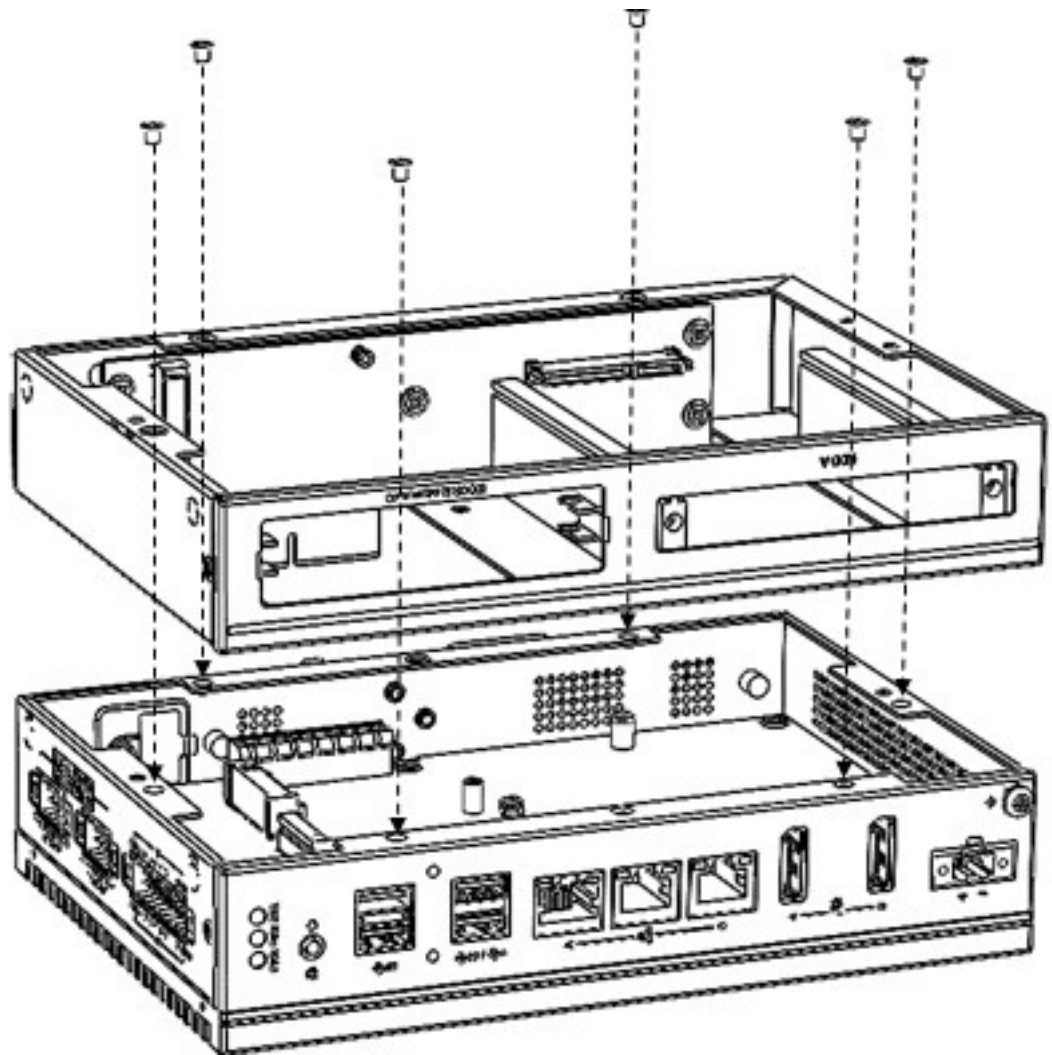
1. Remove M3 x4L x 2 screws from back cover of UNO-148.



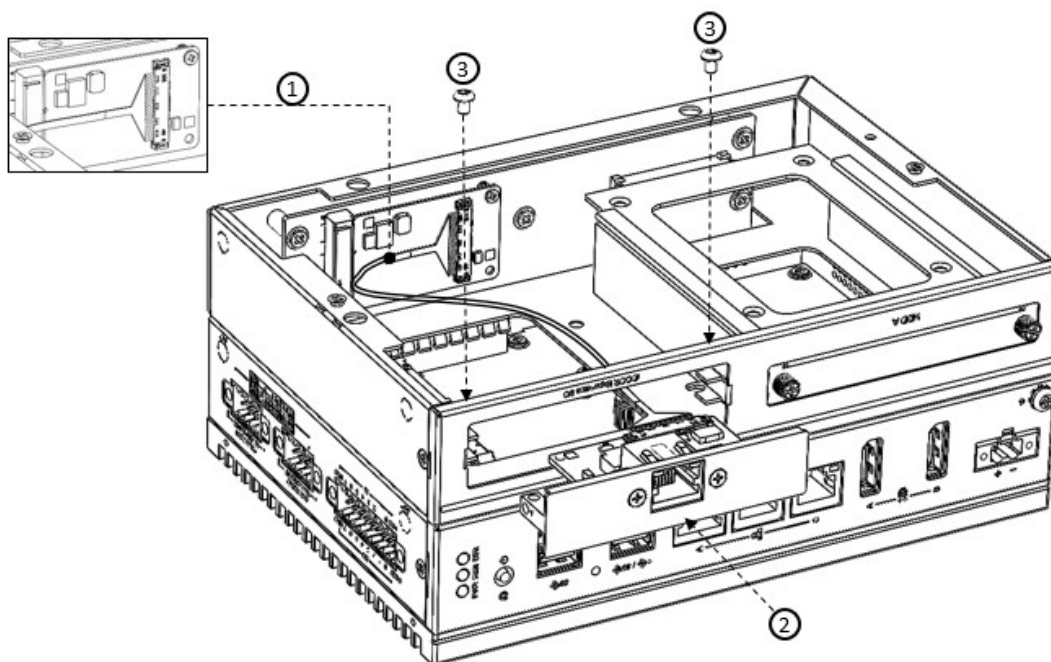
2. Remove 2 x M3 x6L pcs the screw from the extension Kit.
3. Detach the iDoor dummy cover from the iDoor extension kit.
4. Lessen 2pcs the screw and remove the SSD/HDD tray.



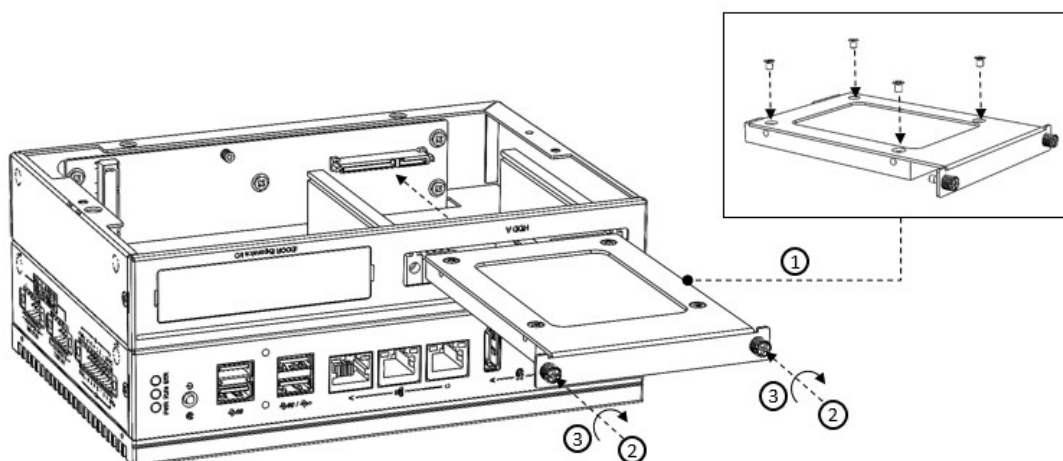
5. Attach the 2nd bracket (UNO-148-IS2EA) with 6 x M3x4L pcs screws to the Base Unit (UNO-148).



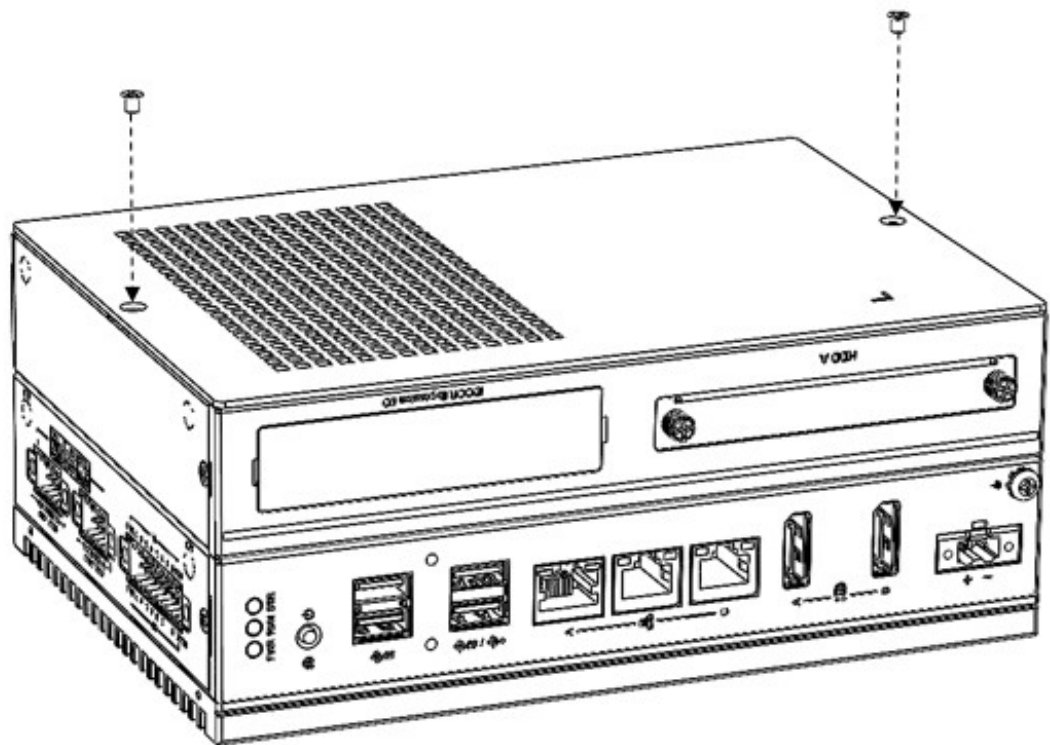
6. Connect the mPCIe connector of iDoor module onto the board of the UNO-148, and fix it with the 2 x M2x4L pcs screw from the accessory bag of iDoor extension kit.



7. Detach the HDD/SSD bracket from 2nd stack extension kit, then fix the 2.5" HDD/ SSD to the HDD bracket with the 4 x M3x4L screws from the accessory bag of iDoor extension kit.
8. Fix the HDD/SSB bracket back onto the extension kit with the provided screws from Step4.

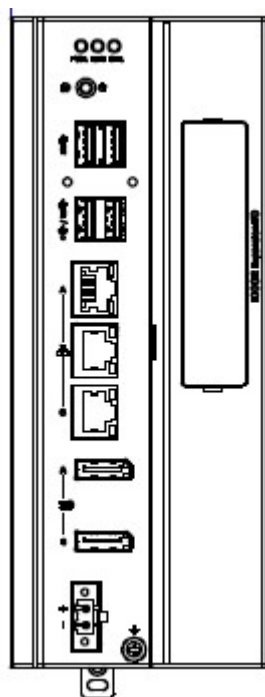


- Return the back cover and gently screw it into place.



### 3.7.2 iDoor Extension Kit (UNO-148-ID1EA)

You can additionally install 2nd stack iDoor extension kit (PN: UNO-148-ID1EA) on UNO-148 to expand its functionality:



---

**The accessory list for iDoor extension kit (PN: UNO-148-ID1EA)**

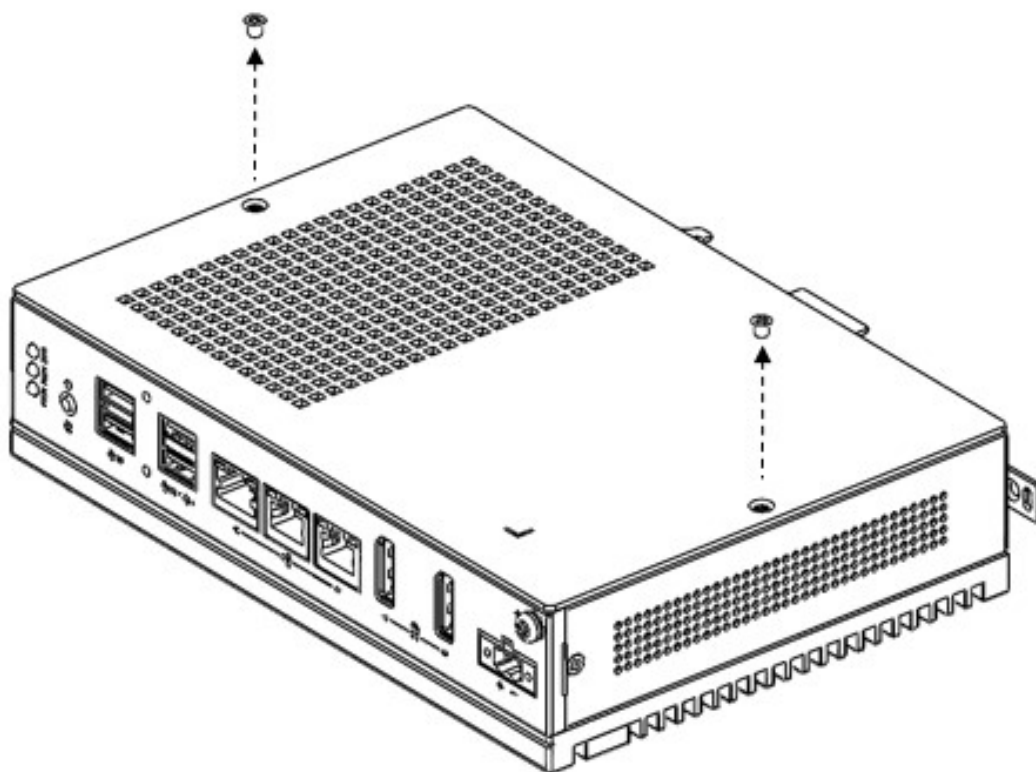
---

5 x M3x4L screws for extension kit installation

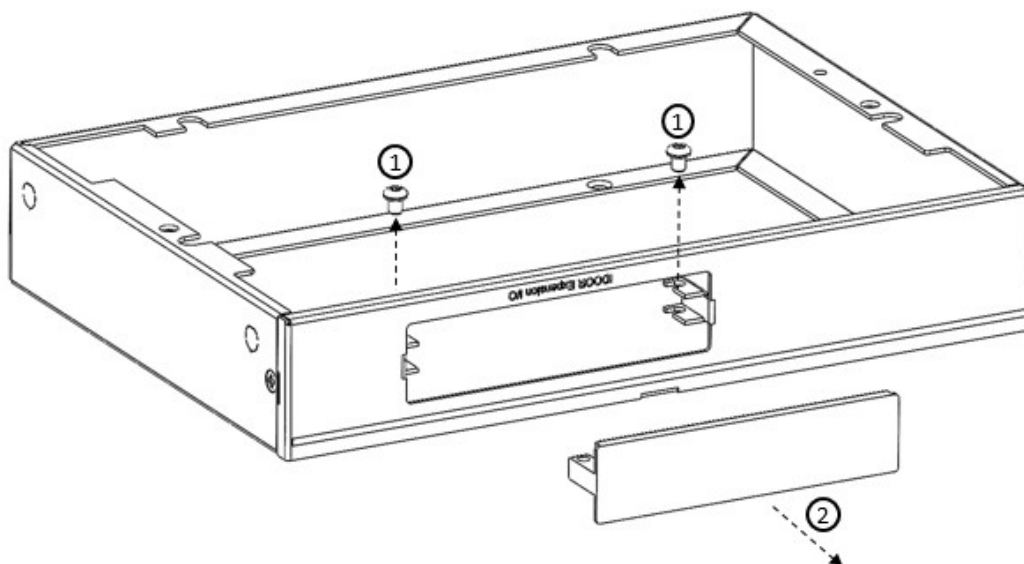
---

Follow the steps below for extension kit Installation:

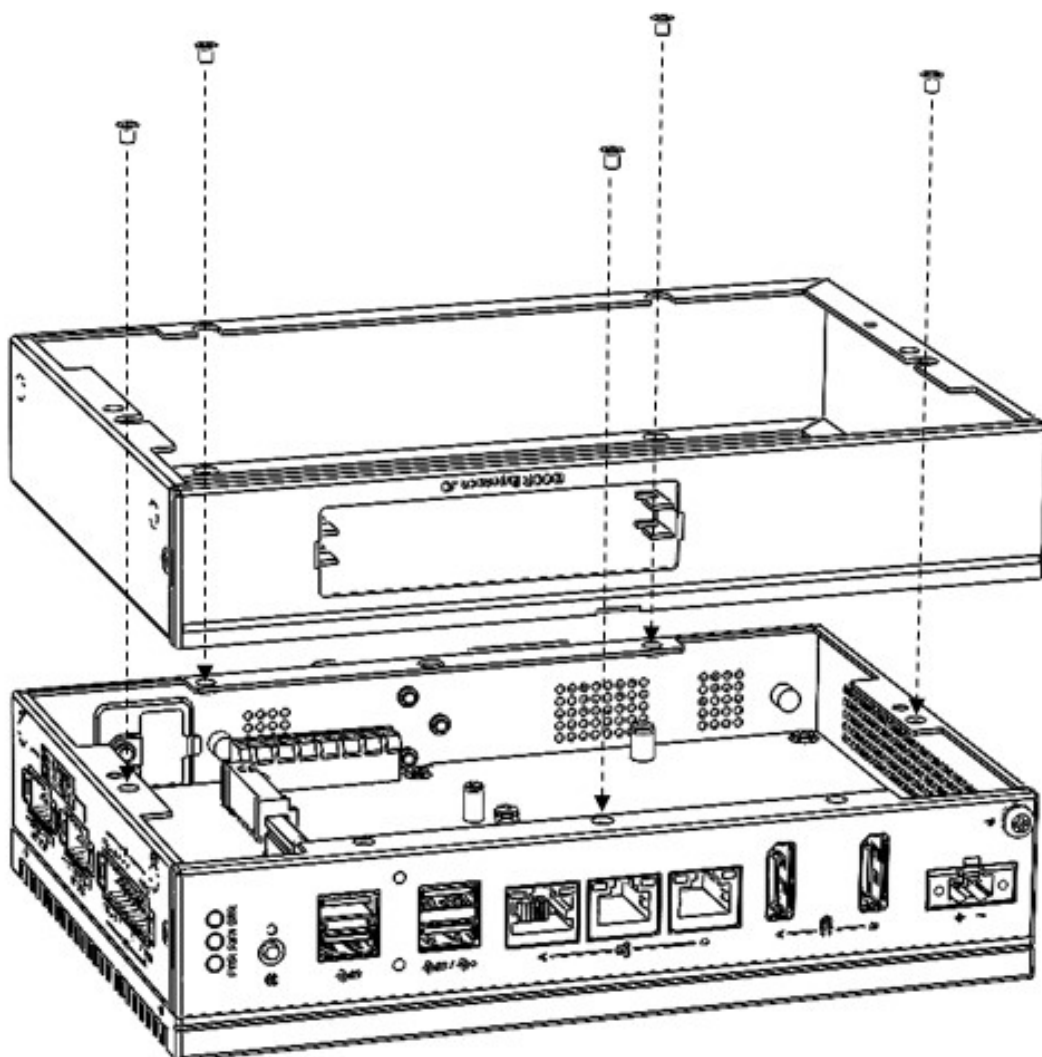
1. Remove M3 x4L x 2 screws from back cover of UNO-148.



2. Detach the iDoor dummy cover from the iDoor extension kit.

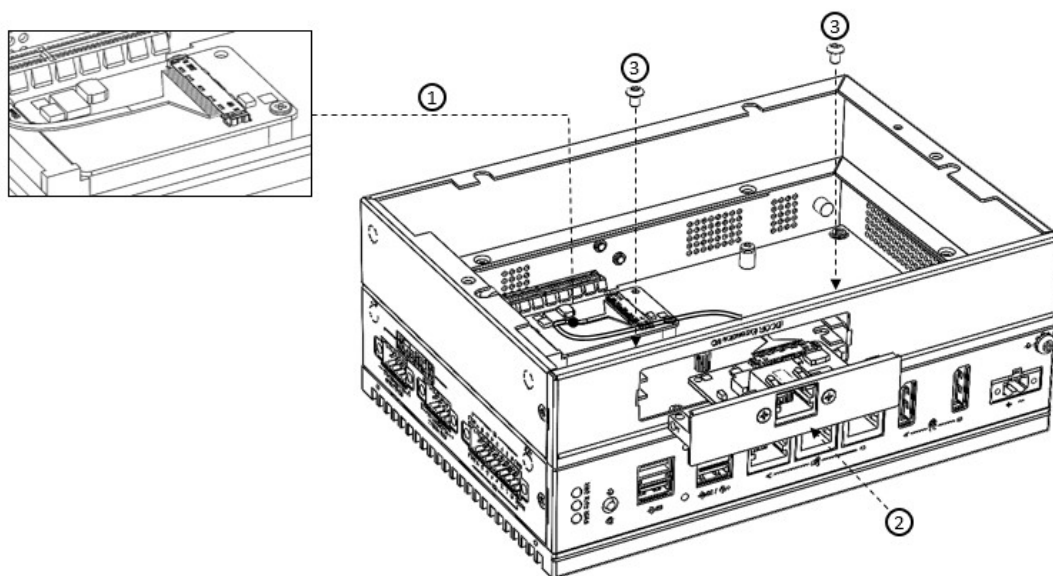


3. Attach the 2nd bracket (UNO-148-ID1EA) with 6 x M3x4L pcs screws to the Base Unit (UNO-148).

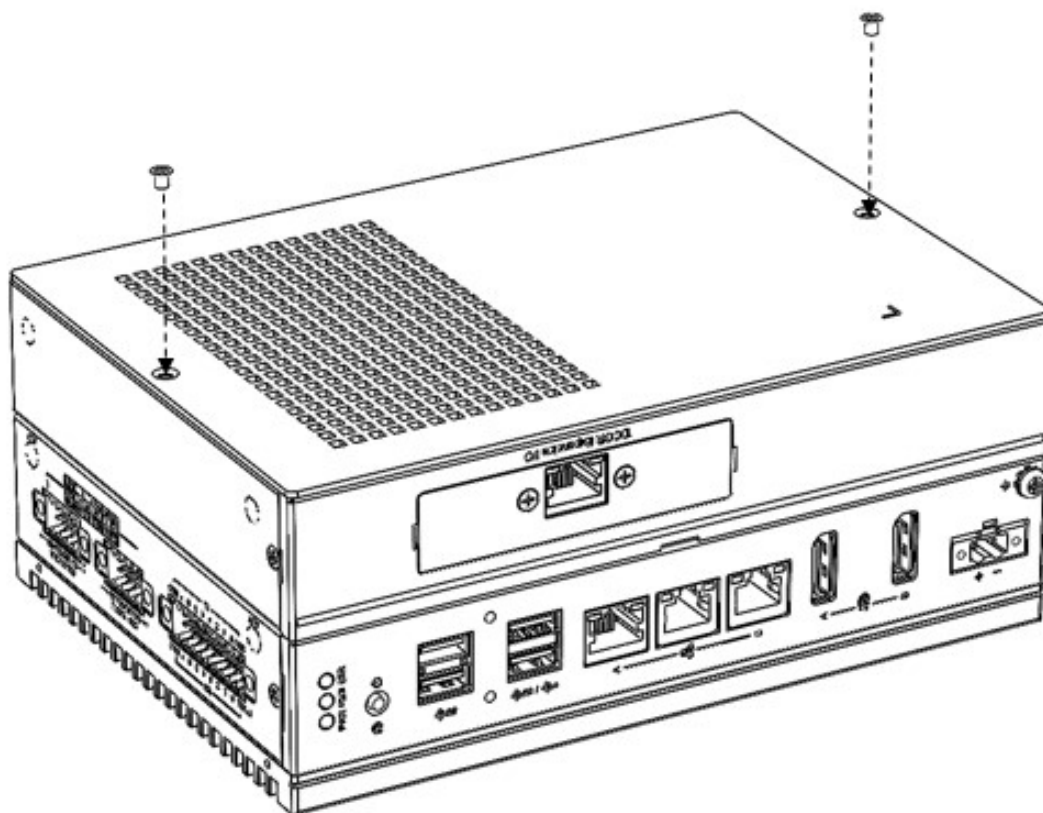




4. Connect the mPCIe connector of iDoor module onto the board of the UNO-148, and fix it with the 2 x M3x4L pcs screw from the accessory bag of iDoor extension kit.

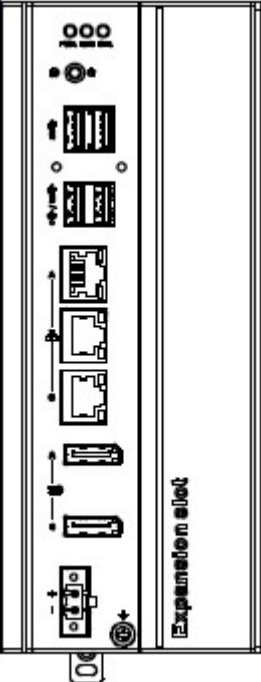


5. Return the back cover and gently screw it into place.



### 3.7.3 PCIe Expansionx4 (UNO-148-P11EA)

You can additionally install 2nd stack expansionx4 kit (PN: UNO-148-P11EA) on UNO-148 to expand its functionality:



---

**The accessory list for iDoor extension kit (PN: UNO-148-P11EA)**

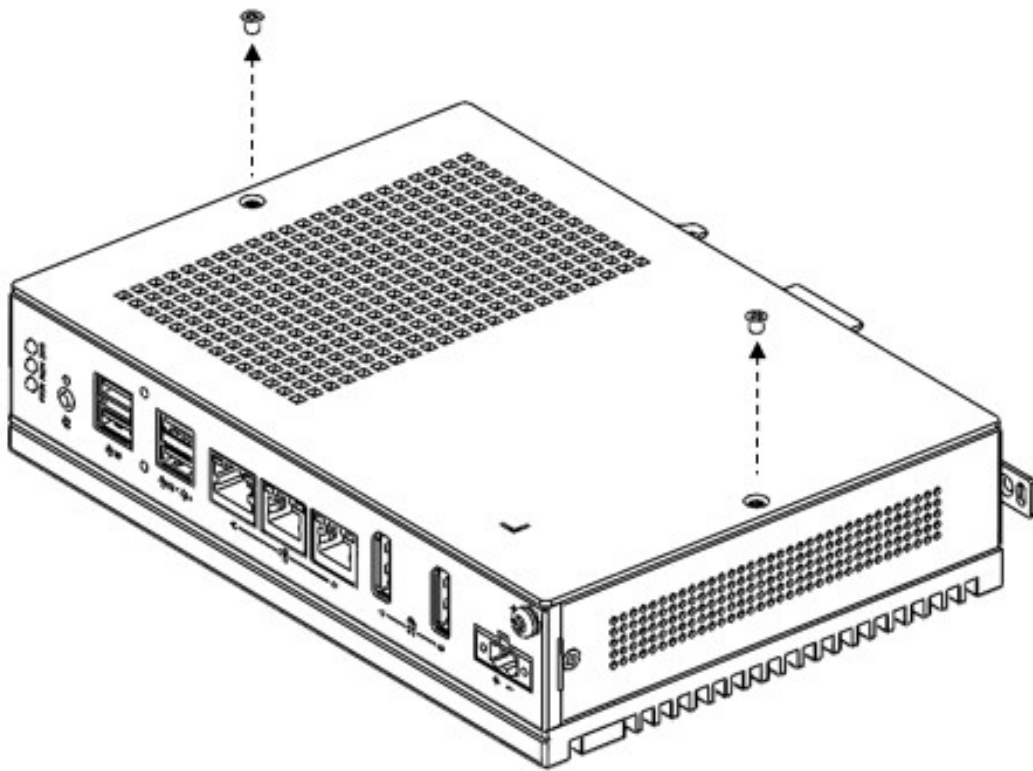
---

8x M3x4L screws for extension kit installation

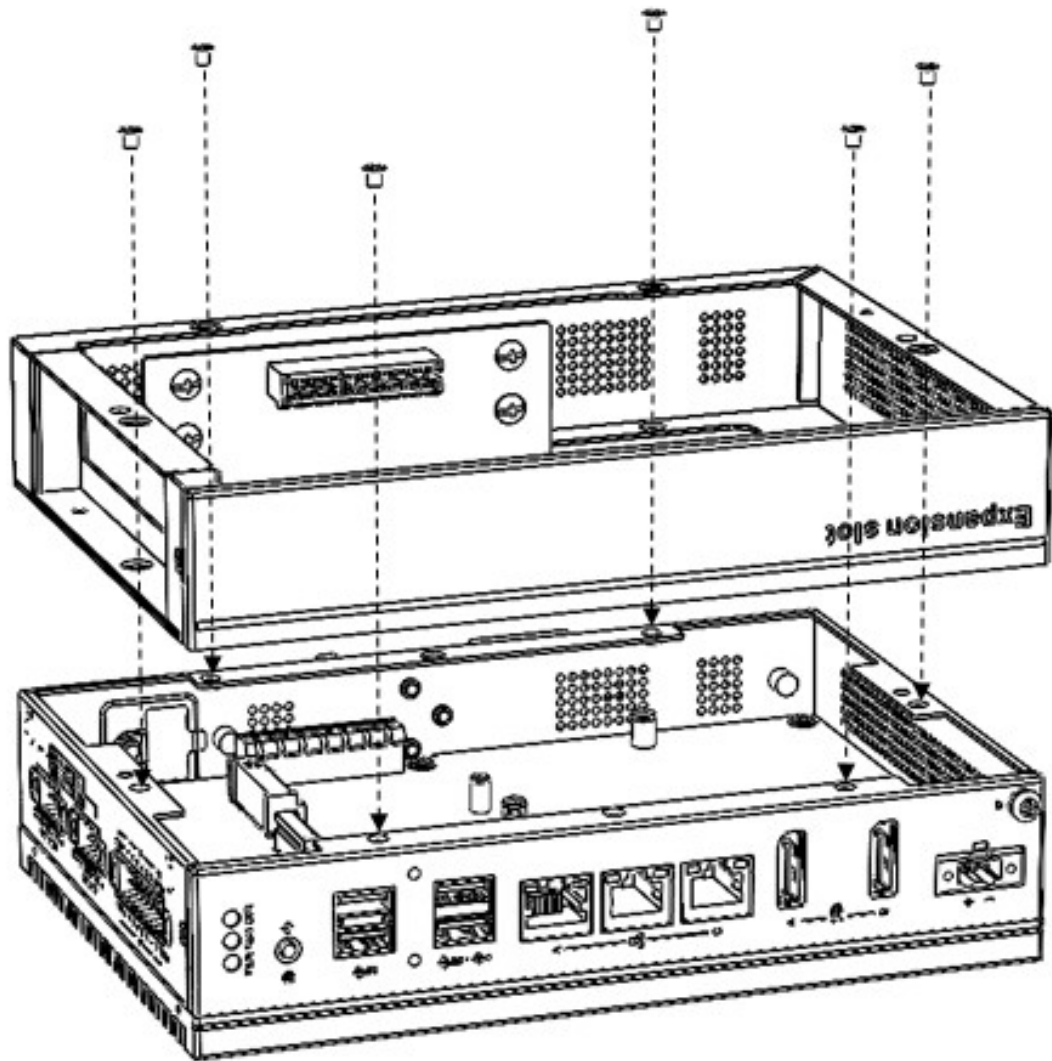
---

Follow the steps below for extension kit Installation:

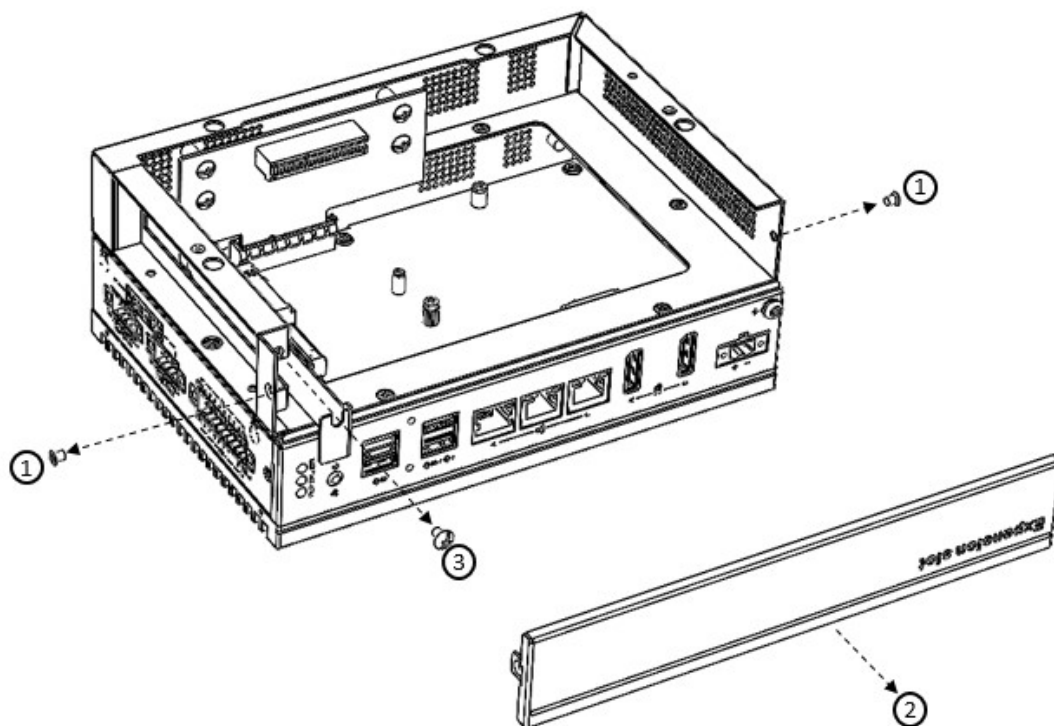
1. Remove M3 x4L x 2 screws from back cover of UNO-148.



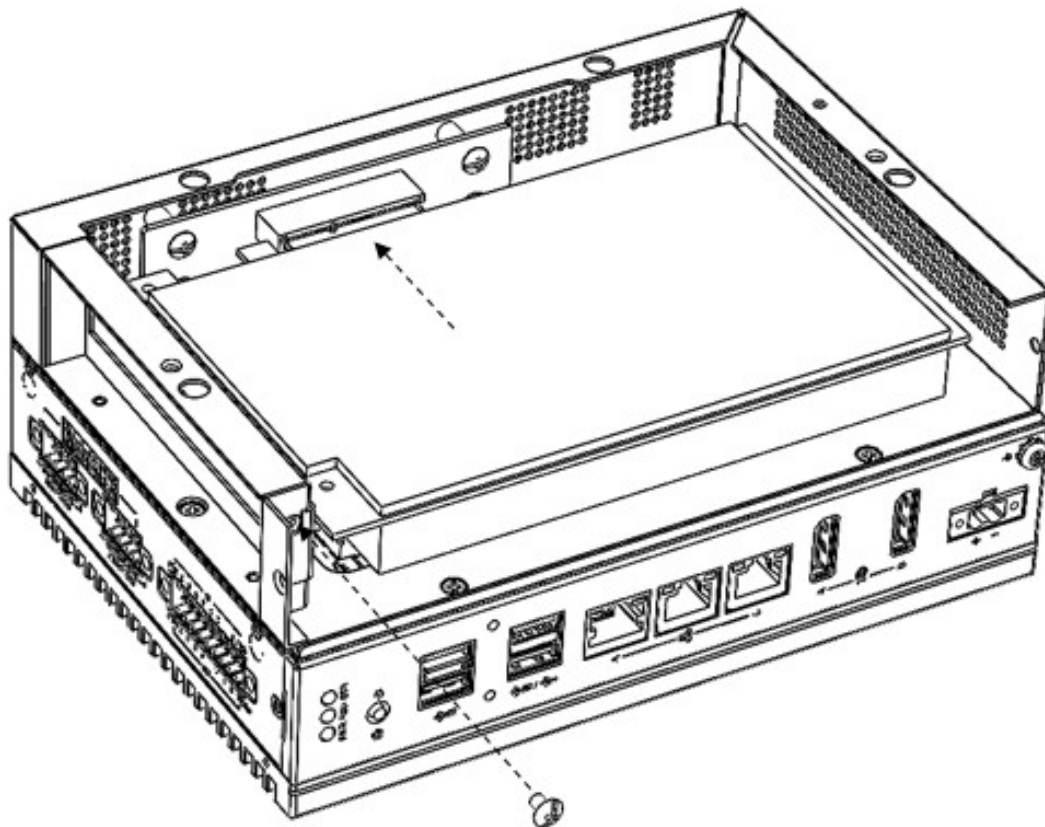
2. Attach the 2nd bracket (UNO-148-P11EA) with 6 x M3x4L pcs screws to the Base Unit (UNO-148).



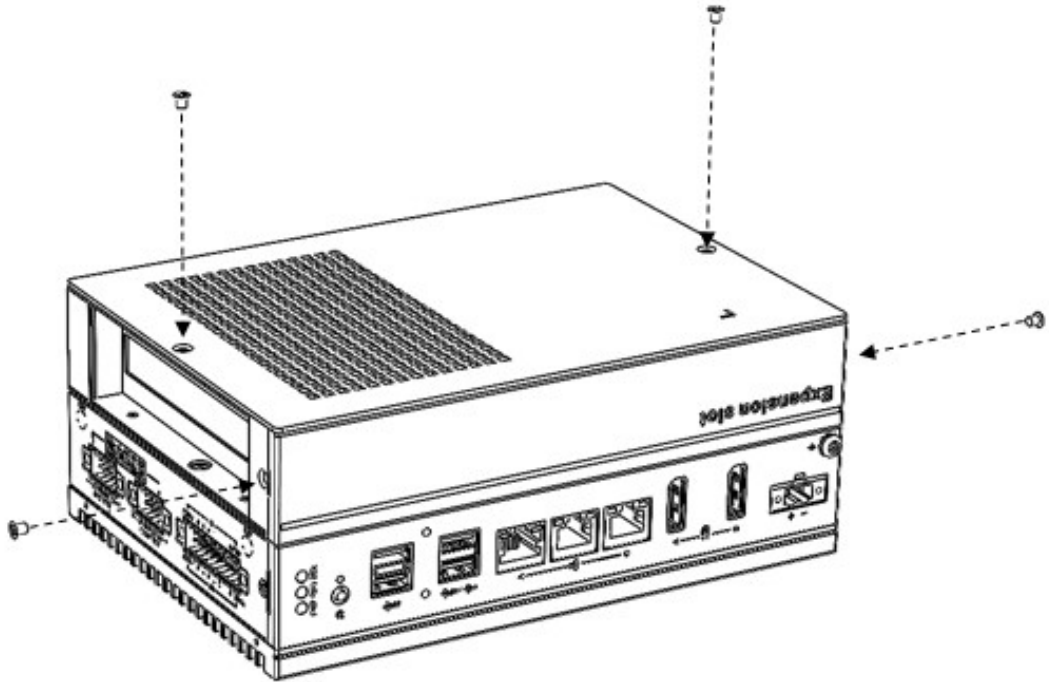
3. Remove the PCIe cover and PCIe bracket from 2nd extension kit (UNO-148-P11EA) with 3 x M3x4L pcs screw.



4. Install the PCIe card and tighten the screw.



- Return the back cover of UNO-148.



### 3.8 Remote Power & Reset Settings

UNO-148 supports remote power & reset functions through DI connector with the switch setting (SW8) on the motherboard. The default setting is for DI6/DI7 functionality. If you want to configure UNO-148 for remote control functions, configure SW8-Bit 2 to “on”, then DI6 can be used for remote power settings, and DI7 can be used for remote reset setting.

**Table 3.1: Remote Power/On & Reset Settings**

| Description                       | Instruction | SW8 |
|-----------------------------------|-------------|-----|
| <b>SW8 Default</b>                |             |     |
| DI function for DI6/DI7 (Default) | Bit 2 off   |     |
| Remote Setting Function           | Bit 2 on    |     |

## 3.9 BIOS Setting

With the BIOS Setup program, you can modify BIOS settings and control the special features of your computer. The Setup program uses a number of menus for making changes and turning special features on or off.

Press the “ESC” key upon the first boot up to enter the BIOS setup screen, after then, press the “Del” key during the Power On Self Test (POST) process to enter the BIOS setup screen, otherwise the system will continue the POST process.

(Please refer to User Manual- Appendix A.11/ A.12 for more settings)

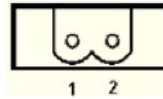




# Appendix **A**

System Settings/Pin  
Assignment

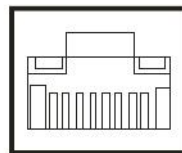
## A.1 Power Connector (CN1)



**Table A.1: Power Connector Pin Assignments**

| Pin | Signal            | Description             |
|-----|-------------------|-------------------------|
| 1   | Power IN V+       | 10 - 36 V <sub>DC</sub> |
| 2   | Power IN V- (GND) |                         |

## A.2 LAN: Ethernet Connector (CN4)



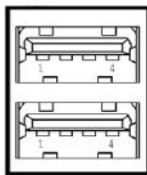
**Table A.2: Ethernet Connector Pin Assignments**

| RJ45 Pin | Signal | Description   |
|----------|--------|---|
| 1        | MDI0+  | <ul style="list-style-type: none"> <li>In BASE-T: Media Dependent Interface[0]:</li> <li>2500BASE-T: In MDI configuration, MDI[0]+/- corresponds to BI_DA+/- and in MDI-X configuration MDI[0]+/- corresponds to BI_DB+/-.</li> </ul> |
| 2        | MDI0-  | <ul style="list-style-type: none"> <li>10BASE-T and 100BASE-TX: In MDI configuration, MDI[0]+/- is used for the transmit pair and in MDIX configuration MDI[0]+/- is used for the receive pair.</li> </ul>                            |
| 3        | MDI1+  | <ul style="list-style-type: none"> <li>In BASE-T: Media Dependent Interface[1]:</li> <li>2500BASE-T: In MDI configuration, MDI[1]+/- corresponds to BI_DB+/- and in MDI-X configuration MDI[1]+/- corresponds to BI_DA+/-.</li> </ul> |
| 6        | MDI1-  | <ul style="list-style-type: none"> <li>10BASE-T and 100BASE-TX: In MDI configuration MDI[1]+/- is used for the receive pair and in MDI-X configuration MDI[1]+/- is used for the transmit pair.</li> </ul>                            |
| 4        | MDI2+  | <ul style="list-style-type: none"> <li>In BASE-T: Media Dependent Interface[3:2]:</li> <li>2500BASE-T: In MDI and in MDI-X configuration, MDI[2]+/- corresponds to BI_DC+/- and MDI[3]+/- corresponds to BI_DD+/-.</li> </ul>         |
| 5        | MDI2-  |   |
| 7        | MDI3+  |   |
| 8        | MDI3-  | <ul style="list-style-type: none"> <li>100BASE-TX: Unused.</li> <li>10BASE-T: Unused.</li> </ul>  |

| Left LED |          | Right LED      |        |
|----------|----------|----------------|--------|
| 10 Link  | 100 Link | 1000/2500 Link | Active |
| Off      | Orange   | Green          | Green  |

## A.3 USB Connector (CN5, CN6)

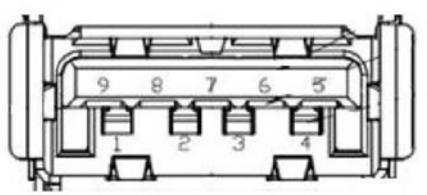
### A.3.1 USB 2.0 Connector



**Table A.3: Connector Pin Assignments**

| Pin | Signal Name | Description              |
|-----|-------------|--------------------------|
| 1   | VBUS        | Power                    |
| 2   | D-          | USB2.0 differential pair |
| 3   | D+          |                          |
| 4   | GND         | Ground for power return  |

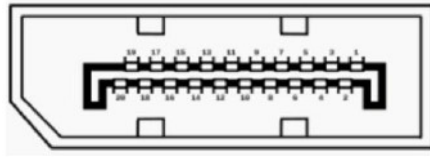
### A.3.2 USB 3.0 Connector



**Table A.4: USB 3.0 Connector Pin Assignments**

| Pin | Signal Name | Description                              |
|-----|-------------|--|
| 1   | VBUS        | Power                                    |
| 2   | D-          | USB2.0 differential pair                 |
| 3   | D+          |  |
| 4   | GND         | Ground for power return                  |
| 5   | StdA_SSRX-  | SuperSpeed receiver differential pair    |
| 6   | StdA_SSRX+  |  |
| 7   | GND_DRIAN   | Ground for signal return                 |
| 8   | StdA_SSTX-  | SuperSpeed transmitter differential pair |
| 9   | StdA_SSTX+  |  |

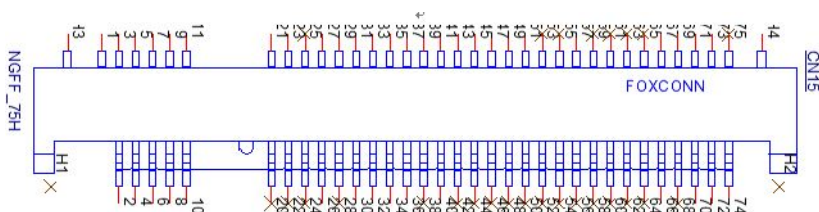
## A.4 Display Connector (CN2, CN3)



**Table A.5: DisplayPort Adaptor Cable Pin Assignments**

| Pin | Signal Name   |
|-----|---------------|
| 1   | ML_Lane 0 (p) |
| 2   | GND           |
| 3   | ML_Lane 0 (n) |
| 4   | ML_Lane 1 (p) |
| 5   | GND           |
| 6   | ML_Lane 1 (n) |
| 7   | ML_Lane 2 (p) |
| 8   | GND           |
| 9   | ML_Lane2 (2)  |
| 10  | ML_Lane 3 (p) |
| 11  | GND           |
| 12  | ML_Lane 3 (n) |
| 13  | CONFIG1       |
| 14  | CONFIG2       |
| 15  | AUX CH (p)    |
| 16  | GND           |
| 17  | AUX CH (n)    |
| 18  | Hot Plug      |
| 19  | Return        |

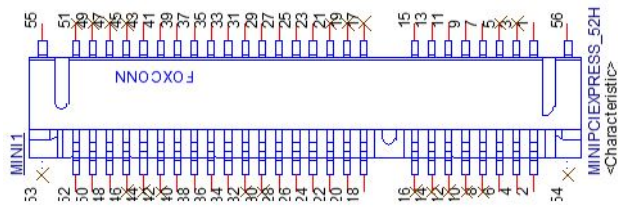
## A.5 M.2 Connector (CN15)



**Table A.6: M.2 B Key Connector Pin Assignments**

| Pin | Signal Name        | Pin | Signal Name         |
|-----|--------------------|-----|---------------------|
| 1   | M2_SATA1_DET       | 2   | +V3.3_M2            |
| 3   | GND                | 4   | +V3.3_M2            |
| 5   | GND                | 6   | M2_LTE_PWR_OFF#     |
| 7   | M2_LTE_USB_DP      | 8   | M2_LTE_W1_DISABLE_N |
| 9   | M2_LTE_USB_DN      | 10  | +V3.3_M2            |
| 11  | GND                | 12  | Mechanical notch B  |
| 13  | Mechanical notch B | 14  | Mechanical notch B  |
| 15  | Mechanical notch B | 16  | Mechanical notch B  |
| 17  | Mechanical notch B | 18  | Mechanical notch B  |
| 19  | Mechanical notch B | 20  | NC                  |
| 21  | NC                 | 22  | NC                  |
| 23  | WAKE_ON_WAN#       | 24  | NC                  |
| 25  | NC                 | 26  | M2_LTE_W2_DISABLE_N |
| 27  | GND                | 28  | NC                  |
| 29  | USB_Z_SSRX1-       | 30  | M2_SIM1_RESET       |
| 31  | USB_Z_SSRX1+       | 32  | M2_SIM1_CLK         |
| 33  | GND                | 34  | M2_SIM1_DATA        |
| 35  | USB_C_SSTX1-       | 36  | M2_SIM1_PWR         |
| 37  | USB_C_SSTX1+       | 38  | NC                  |
| 39  | GND                | 40  | M2_SIM2_DET         |
| 41  | SATA1_RX+          | 42  | NC                  |
| 43  | SATA1_RX-          | 44  | NC                  |
| 45  | GND                | 46  | NC                  |
| 47  | SATA1_C_TX-        | 48  | NC                  |
| 49  | SATA1_C_TX+        | 50  | NC                  |
| 51  | GND                | 52  | NC                  |
| 53  | NC                 | 54  | NC                  |
| 55  | NC                 | 56  | NC                  |
| 57  | GND                | 58  | NC                  |
| 59  | NC                 | 60  | NC                  |
| 61  | NC                 | 62  | NC                  |
| 63  | NC                 | 64  | NC                  |
| 65  | NC                 | 66  | M2_SIM1_DET         |
| 67  | LTE_RST#_P67       | 68  | NC                  |
| 69  | NC                 | 70  | +V3.3_M2            |
| 71  | GND                | 72  | +V3.3_M2            |
| 73  | GND                | 74  | +V3.3_M2            |
| 75  | NC                 |     |                     |

## A.6 mPCIe Connector (MINI1)



| Pin | Signal Name | Pin | Signal Name |
|-----|-------------|-----|-------------|
|-----|-------------|-----|-------------|

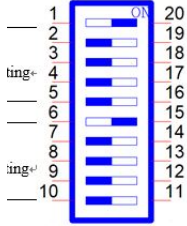
**Table A.7: mPCIe Connector Pin Assignments**

| Pin | Signal Name      | Pin | Signal Name   |
|-----|------------------|-----|---------------|
| 1   | PCIE_WAKE#_3.3   | 2   | +V3.3_MINI    |
| 3   | NC               | 4   | GND           |
| 5   | NC               | 6   | +V1.5         |
| 7   | +V3.3            | 8   | NC            |
| 9   | GND              | 10  | NC            |
| 11  | CLK_PCIE_mPCIe1- | 12  | NC            |
| 13  | CLK_PCIE_mPCIe1+ | 14  | NC            |
| 15  | GND              | 16  | NC            |
| 17  | NC               | 18  | GND           |
| 19  | NC               | 20  | WIFI_DISABLE# |
| 21  | NC               | 22  | MINI_PLTRST#  |
| 23  | PCIE_mPCIe_RX4-  | 24  | +V3.3_MINI    |
| 25  | PCIE_mPCIe_RX4+  | 26  | GND           |
| 27  | GND              | 28  | +V1.5         |
| 29  | GND              | 30  | NC            |
| 31  | PCIE_TX2-_Z      | 32  | NC            |
| 33  | PCIE_TX2+Z       | 34  | GND           |
| 35  | GND              | 36  | USB_Z_P0-     |
| 37  | GND              | 38  | USB_Z_P0+     |
| 39  | +V3.3_MINI       | 40  | GND           |
| 41  | +V3.3_MINI       | 42  | NC            |
| 43  | MPCIe_PWRSEL     | 44  | NC            |
| 45  | NC               | 46  | NC            |
| 47  | NC               | 48  | +V1.5         |
| 49  | NC               | 50  | GND           |
| 51  | NC               | 52  | +V3.3_MINI    |

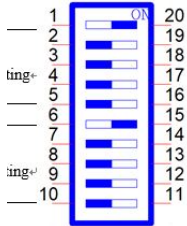
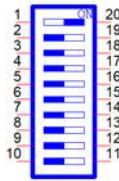
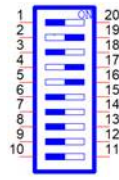
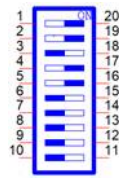
## A.7 COM Port RS232/422/485 Setting

The default setting for the COM port is RS-232. This can be changed to RS-422 or RS-485 modes can be configured by adjusting switch on the motherboard.

### A.7.1 COM1/COM2 TS232/422/485 Setting (SW1)

|                    |  |
|--------------------|--|
| <b>SW1 Default</b> |     |
|                    | <b>Description settings</b> This switch is used to select RS232/422/485 mode setting |
| <b>Default</b>     | RS232 mode   |

### A.7.2 COM3/COM4 RS232/422/485 Setting (SW2)

|                    |  |  |   |
|--------------------|--|--|---|
| <b>SW1 Default</b> |    |  |   |
|                    | <b>Description settings</b> This switch is used to select RS232/422/485 mode setting |  |   |
| <b>Default</b>     | RS232 mode   |  |   |
| <b>COM1</b>        | <b>RS232 Mode</b>  | Bit 1 ON<br>Bit 2,3,4,5,6,7,8,9,10 OFF |  |
|                    | <b>RS485 Mode</b>  | Bit 2,4,5 ON<br>Bit 1,3,6,7,8,9,10 OFF |  |
|                    | <b>RS422 Mode</b>  | Bit 1,2,4,5 ON<br>Bit 3,6,7,8,9,10 OFF |  |

|      |            |  |  |
|------|------------|--|--|
| COM2 | RS232 Mode | Bit 6 ON<br>Bit 1,2,3,4,5,7,8,9,10 OFF |  |
|      | RS485 Mode | Bit 7,9,10 ON<br>Bit 1,2,3,4,5,7,8 OFF |  |
|      | RS422 Mode | Bit 6,7,9,10 ON<br>Bit 1,2,3,4,5,8 OFF |  |
| COM3 | RS232 Mode | Bit 1 ON<br>Bit 2,3,4,5,6,7,8,9,10 OFF |  |
|      | RS485 Mode | Bit 2,4,5 ON<br>Bit 1,3,6,7,8,9,10 OFF |  |
|      | RS422 Mode | Bit 1,2,4,5 ON<br>Bit 3,6,7,8,9,10 OFF |  |
| COM4 | RS232 Mode | Bit 6 ON<br>Bit 1,2,3,4,5,7,8,9,10 OFF |  |
|      | RS485 Mode | Bit 7,9,10 ON<br>Bit 1,2,3,4,5,7,8 OFF |  |
|      | RS422 Mode | Bit 6,7,9,10 ON<br>Bit 1,2,3,4,5,8 OFF |  |



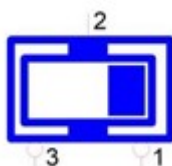
### A.7.3 COM Port RS422/485 Termination Resistor Setting

|                    |   |  |
|--------------------|---|--|
| <b>SW1</b>         | Termination Resistor Setting  |  |
| <b>Description</b> | This switch is used to select Termination Resistor (120 ohm) for long distance transmission or device matching. |  |
| <b>Default</b>     | Bit3 off & Bit8 off   |  |
| <b>COM1</b>        | Bit3 on   |  |
| <b>COM2</b>        | Bit8 on   |  |

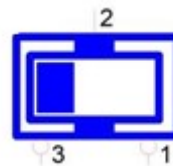
|                    |   |  |
|--------------------|---|--|
| <b>SW2</b>         | Termination Resistor Setting  |  |
| <b>Description</b> | This switch is used to select Termination Resistor (120 ohm) for long distance transmission or device matching. |  |
| <b>Default</b>     | Bit3 off & Bit8 off   |  |
| <b>COM3</b>        | Bit3 on   |  |
| <b>COM4</b>        | Bit8 on   |  |

### A.8 BIOS Update Setting

Use SW4 to set BIOS1/2 update selection, BIOS1 (Default), BIOS2 (PCIex4) for Factory Engineering staff use.



BIOS1: Configure to Setting 1 (Default)

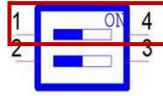


BIOS2: Configure to Setting 3

## A.9 AT/ATX Setting (SW8)

SW8 can be used for AT/ATX setting. The default setting is AT mode. See the following table for switch configuration.

SW8 Default



| Description       | Instruction | SW8   |
|-------------------|-------------|---|
| AT Mode (Default) | Bit 1 off   | A diagram of a 4-bit switch labeled SW8. The switch has four positions, numbered 1 to 4. Position 1 is the top-left, 2 is the bottom-left, 3 is the bottom-right, and 4 is the top-right. The switch is currently in the 'OFF' position, indicated by a white bar. The 'ON' label is at the top right. A blue box highlights the top two positions (1 and 2). |
| ATX Mode          | Bit 1 on    | A diagram of a 4-bit switch labeled SW8. The switch has four positions, numbered 1 to 4. Position 1 is the top-left, 2 is the bottom-left, 3 is the bottom-right, and 4 is the top-right. The switch is currently in the 'ON' position, indicated by a blue bar. The 'ON' label is at the top right. A blue box highlights the top two positions (1 and 2).   |

## A.10 Riser Connector (CN12)

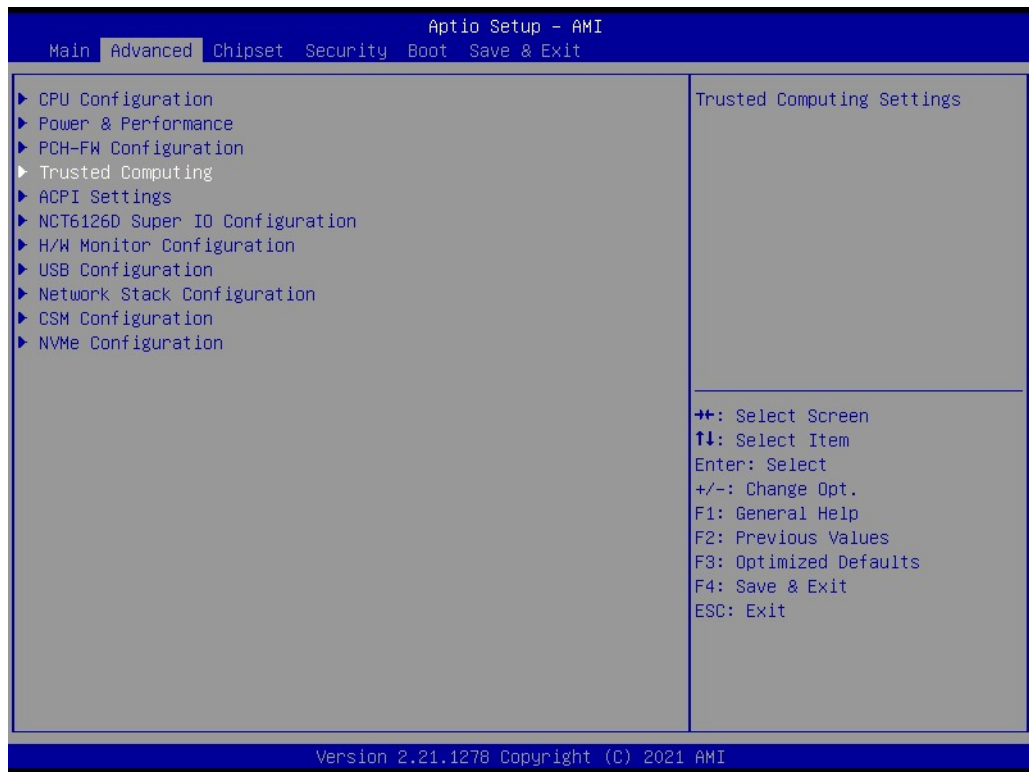
**Table A.8: Expansion Board to Board Connector Pin Assignments**

| Pin | Signal Name | Pin | Signal Name |
|-----|-------------|-----|-------------|
| A1  | DCIN        | B1  | GND         |
| A2  | DCIN        | B2  | GND         |
| A3  | DCIN        | B3  | GND         |
| A4  | DCIN        | B4  | GND         |
| A5  | N/A         | B5  | SMB_CLK     |
| A6  | GND         | B6  | SMB_DAT     |
| A7  | GND         | B7  | GND         |
| A8  | GND         | B8  | +V5         |
| A9  | USB+        | B9  | +V5         |
| A10 | USB-        | B10 | +V5         |
| A11 | GND         | B11 | +V5         |
| A12 | GND         | B12 | PCIeX4_EN   |
| A13 | CLK+        | B13 | GND         |
| A14 | CLK-        | B14 | RX0+        |
| A15 | GND         | B15 | RX0-        |
| A16 | TX0+        | B16 | GND         |
| A17 | TX0-        | B17 | SLP_S3      |
| A18 | GND         | B18 | GND         |
| A19 | N/A         | B19 | RX1+        |
| A20 | GND         | B20 | RX1-        |
| A21 | TX1+        | B21 | GND         |
| A22 | TX1-        | B22 | GND         |
| A23 | GND         | B23 | RX2+        |
| A24 | GND         | B24 | RX2-        |
| A25 | TX2+        | B25 | GND         |
| A26 | TX2-        | B26 | GND         |
| A27 | GND         | B27 | RX3+        |
| A28 | GND         | B28 | RX3-        |
| A29 | TX3+        | B29 | GND         |
| A30 | TX3-        | B30 | PLTRST      |
| A31 | GND         | B31 | SATA0_DET   |
| A32 | SATA1_DET   | B32 | GND         |

## A.11 TPM 2.0 BIOS Setting

The UNO-148 systems support TPM2.0 functionality. This can be enabled or disabled in the BIOS menu by following the instructions provided below:

1. Power on the UNO-148 system and press “Delete” to enter the BIOS configuration menu.
2. On the “Advanced” tab, select the “Trusted Computing” item.



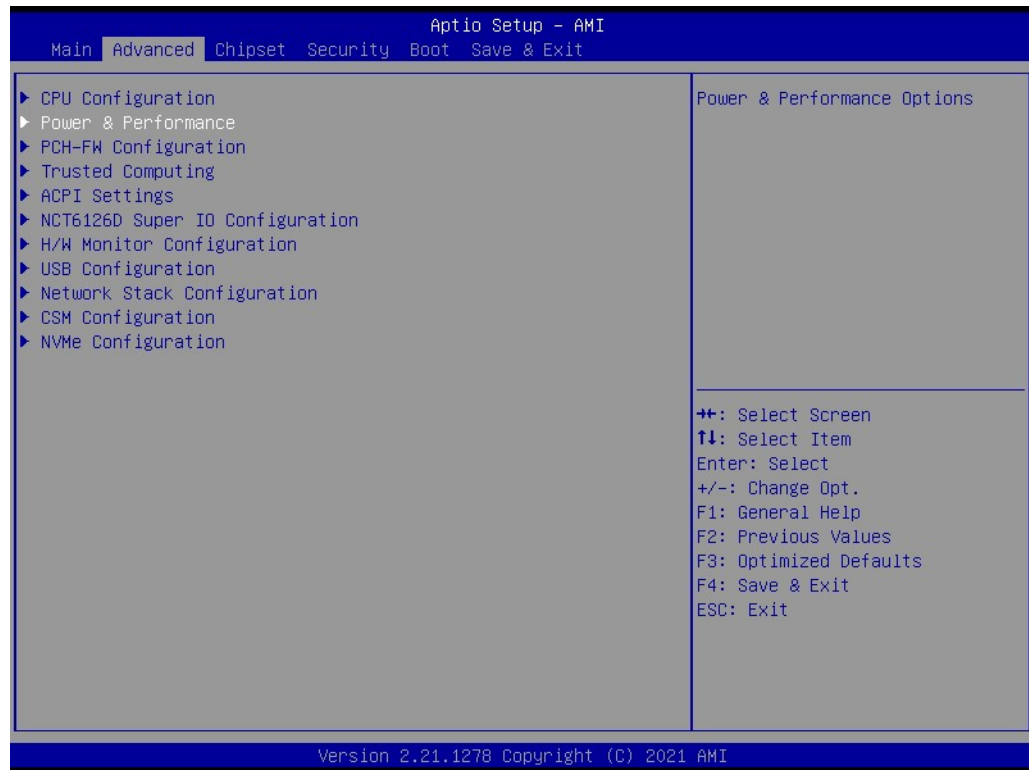
3. Then select the “Security Device Support” item.
4. Choose “enable/disable” to enable or disable the TPM2.0 function (The default setting is to disable this function).



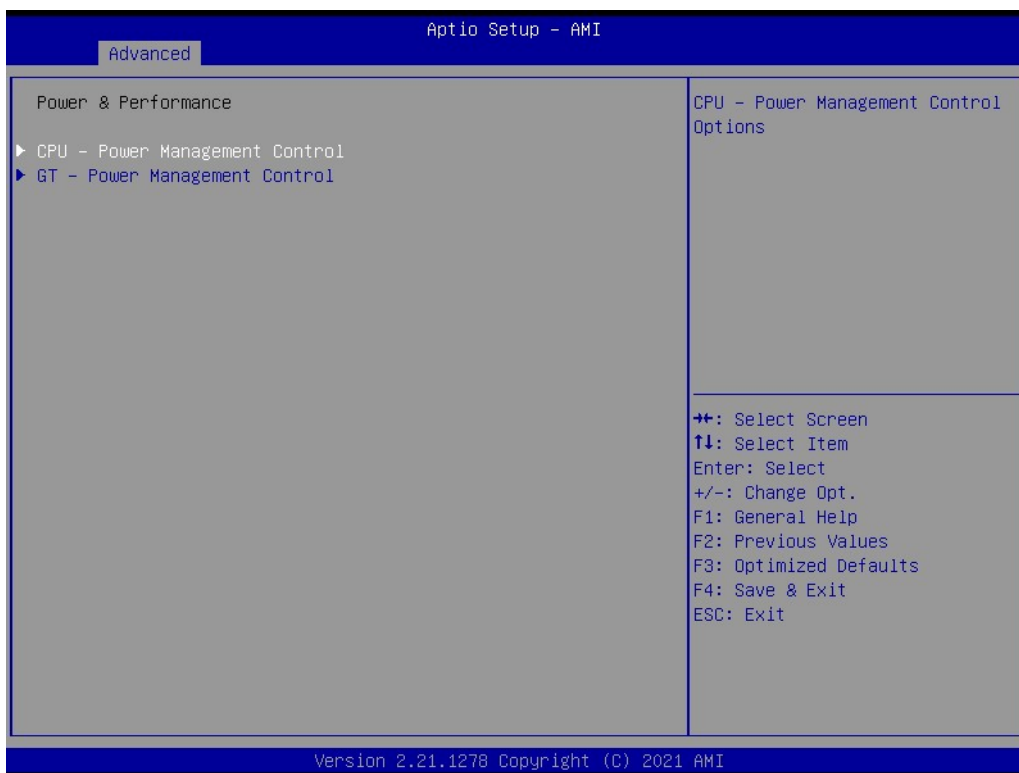
## A.12 CPU Turbo Mode BIOS Setting

The UNO-148 systems support CPU Turbo mode. This can be enabled or disabled in the BIOS menu by following the instructions:

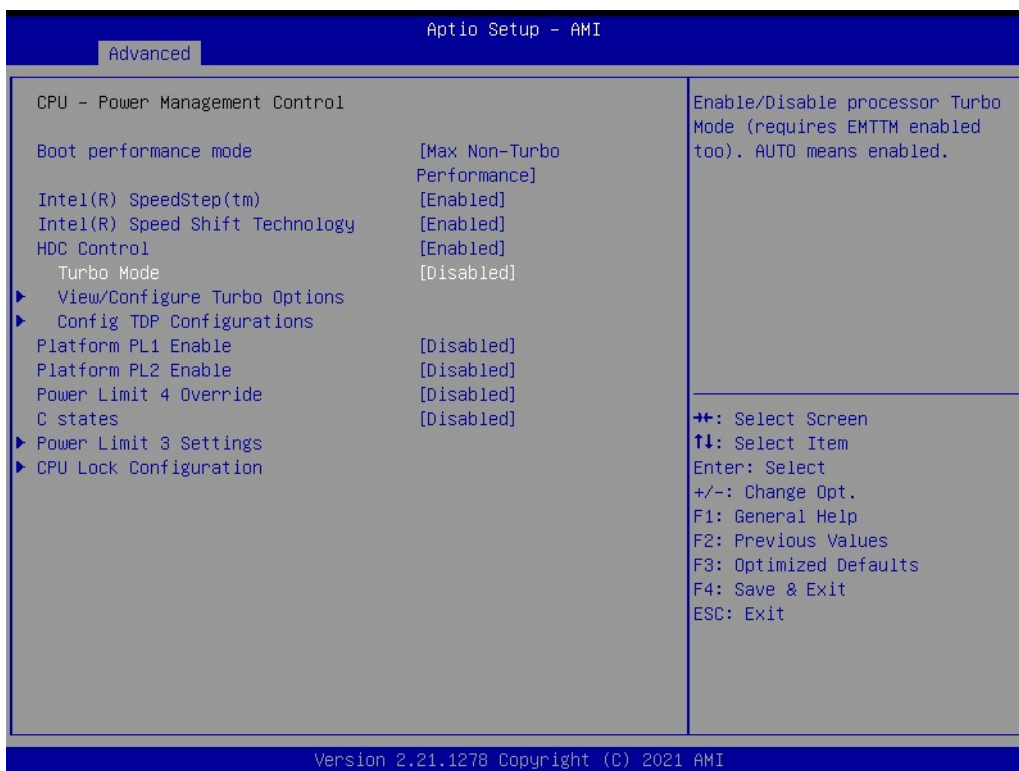
1. Power on the UNO-148 system and press “Delete” to enter the BIOS configuration menu.
2. On the “Advanced” tab, select the “Power & Performance” item.



- Then select the “CPU Power Management Control” item.



- Choose “enable/disable” to enable or disable the CPU Turbo mode (The default setting is to disable this function).



# ADVANTECH

## eAutomation

[www.advantech.com](http://www.advantech.com)

Please verify specifications before quoting. This guide is intended for reference purposes only.

All product specifications are subject to change without notice.

No part of this publication may be reproduced in any form or by any means, such as electronically, by photocopying, recording, or otherwise, without prior written permission from the publisher.

All brand and product names are trademarks or registered trademarks of their respective companies.

© Advantech Co., Ltd. 2021