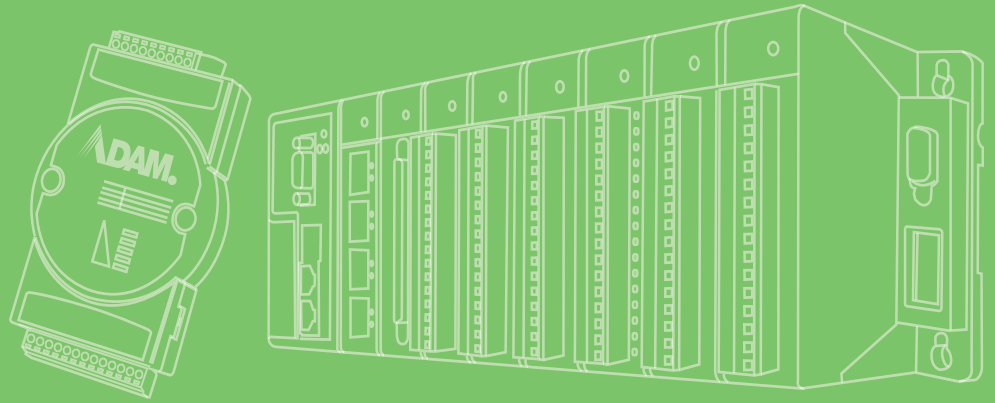


User Manual



ADAM 4000 Series

Data Acquisition Modules

ADVANTECH

Enabling an Intelligent Planet

Copyright

The documentation and the software included with this product are copyrighted 2023 by Advantech Co., Ltd. All rights are reserved. Advantech Co., Ltd. reserves the right to make improvements in the products described in this manual at any time without notice. No part of this manual may be reproduced, copied, translated, or transmitted in any form or by any means without the prior written permission of Advantech Co., Ltd. The information provided in this manual is intended to be accurate and reliable. However, Advantech Co., Ltd. assumes no responsibility for its use, nor for any infringements of the rights of third parties that may result from its use.

Acknowledgments

ADAM is a trademark of Advantech Co., Ltd.

IBM and PC are trademarks of International Business Machines Corporation.

All other product names or trademarks are properties of their respective owners.

Product Warranty (2 years)

Advantech warrants the original purchaser that each of its products will be free from defects in materials and workmanship for two years from the date of purchase.

This warranty does not apply to any products that have been repaired or altered by persons other than repair personnel authorized by Advantech, or products that have been subject to misuse, abuse, accident, or improper installation. Advantech assumes no liability under the terms of this warranty as a consequence of such events.

Because of Advantech's high quality-control standards and rigorous testing, most customers never need to use our repair service. If an Advantech product is defective, it will be repaired or replaced free of charge during the warranty period. For out-of-warranty repairs, customers will be billed according to the cost of replacement materials, service time, and freight. Please consult your dealer for more details.

If you believe your product is defective, follow the steps outlined below.

1. Collect all the information about the problem encountered. (For example, CPU speed, Advantech products used, other hardware and software used, etc.) Note anything abnormal and list any onscreen messages displayed when the problem occurs.
2. Call your dealer and describe the problem. Please have your manual, product, and any helpful information readily available.
3. If your product is diagnosed as defective, obtain a return merchandise authorization (RMA) number from your dealer. This allows us to process your return more quickly.
4. Carefully pack the defective product, a completed Repair and Replacement Order Card, and a proof of purchase date (such as a photocopy of your sales receipt) into a shippable container. Products returned without a proof of purchase date are not eligible for warranty service.
5. Write the RMA number clearly on the outside of the package and ship the package prepaid to your dealer.

Declaration of Conformity

CE

The ADAM-4000 series developed by Advantech Co., Ltd. has passed the CE test for environmental specifications when operated within an industrial enclosure (ADAM-4950-ENC). Therefore, in order to protect the ADAM modules from being damaged by ESD (Electric Static Discharge), we strongly recommend that the use of CE-compliant industrial enclosure products when using any ADAM module.

Technical Support and Assistance

1. Visit the Advantech website at www.advantech.com/support to obtain the latest product information.
2. Contact your distributor, sales representative, or Advantech's customer service center for technical support if you need additional assistance. Please have the following information ready before calling:
 - Product name and serial number
 - Description of your peripheral attachments
 - Description of your software (operating system, version, application software, etc.)
 - A complete description of the problem
 - The exact wording of any error messages

Contents

Chapter 1	Introduction.....	1
1.1	Overview	2
1.2	Applications.....	3
Chapter 2	Installation Guideline	5
2.1	System Requirements to Set up an ADAM Network.....	6
	Figure 2.1 Power Supply Connections	7
2.2	Basic Configuration and Hook-up	9
	Figure 2.2 Basic Hook-up of ADAM Module to Host Switches	9
2.3	Baud Rate and Checksum	11
	Figure 2.3 Grounding the INIT* Terminal.....	12
	Figure 2.4 Set INIT switch to "InIt"	12
2.4	Multiple Module Hookup.....	13
	Figure 2.5 Multi-module Connection	13
2.5	Programming Example.....	14
2.6	LED Status	20
Chapter 3	I/O Modules	21
3.1	The Common Specifications of the ADAM-4000 I/O Series.....	22
3.2	ADAM-4015 6-Channel RTD Input Module.....	23
	Figure 3.1 ADAM-4015 6-channel RTD Input Module	23
	Figure 3.2 ADAM-4015-F 6-channel RTD Input Module.....	24
3.2.1	Application Wiring	25
	Figure 3.3 ADAM-4015 RTD Input Module Wiring Diagram	25
3.2.2	Technical specification of ADAM-4015	26
	Table 3.1: Technical Specification of ADAM-4015	26
3.3	ADAM-4017/4017+/4018+ 8-Channel Analog Input Modules.....	27
3.3.1	ADAM-4017 8-channel Differential Analog Input Module	27
3.3.2	ADAM-4017+ 8-Channel Differential Analog Input Module	27
3.3.3	ADAM-4018+ 8-channel Thermocouple Input Module.....	27
3.3.4	ADAM-4017 8-channel Analog Input Module.....	28
	Figure 3.4 ADAM-4017 8-channel Analog Input Module	28
3.3.5	ADAM-4017+ 8-channel Differential Analog Input Module	29
	Figure 3.5 ADAM-4017+ 8-ch. differential analog input module	29
	Figure 3.6 ADAM-4017+-E/F Switch Settings.....	29
	Table 3.2: Technical Specifications of ADAM-4017+	30
3.3.6	ADAM-4018+ 8-channel Thermocouple Input Module.....	31
	Figure 3.7 ADAM-4018+ 8-ch. thermocouple input module.....	31
	Figure 3.8 ADAM-4018+-E/F Switch Settings.....	31
	Table 3.3: Technical Specifications of ADAM-4018+	32
3.3.7	Application Wiring	33
	Figure 3.9 Current Input Wiring Diagram of ADAM-4017	33
	Figure 3.10 ADAM-4017-F Differential Input Wiring Diagram (Ch0 ~	
	Ch7).....	33
	Figure 3.11 ADAM-4017-D2E Single-Ended Input Wiring Diagram	
	(Ch6 and Ch7).....	33
	Figure 3.12 ADAM-4017+ Voltage and Current Input Wiring Dia-	
	gram	34
	Figure 3.13 ADAM-4018+ Thermocouple Input Wiring Diagram .	34
3.4	ADAM-4019+ 8-channel Universal Analog Input Module.....	35
	Figure 3.14 ADAM-4019+ 8-Channel Universal Analog Input	35

	Figure 3.15ADAM-4019+-F Switch Settings.....	36
3.4.1	Application Wiring	37
	Figure 3.16ADAM-4019+ Universal Analog Input Wiring Diagram. 37	
3.4.2	Technical Specifications of ADAM-4019+	38
	Table 3.4: Technical Specifications of ADAM-4019+	38
3.5	ADAM-4021 Analog Output Module.....	38
	Figure 3.17ADAM-4021 Analog Output Module	39
	Figure 3.18ADAM-4021-F Analog Output Module.....	40
3.5.1	Application Wiring	41
	Figure 3.19ADAM-4021 Analog Output Wiring Diagram	41
3.6	ADAM-4024 4-Channel Analog Output Module	41
	Figure 3.20ADAM-4024 4-channel Analog Output Module	42
3.6.1	Technical Specifications of ADAM-4024.....	42
3.6.2	Application Wiring	43
	Figure 3.21ADAM-4024 Pin Define and Wiring Diagram	43
3.7	ADAM-4050 Digital I/O Module.....	44
	Figure 3.22ADAM-4050 Digital I/O Module	44
	Figure 3.23ADAM-4050-F Digital I/O Module.....	45
3.7.1	Application Wiring	46
	Figure 3.24ADAM-4050 Wet Contact Wiring Diagram	46
	Figure 3.25ADAM-4050 Dry Contact Wiring Diagram	46
	Figure 3.26ADAM-4050 Digital Output Wiring Used with Inductive Load	47
	Figure 3.27ADAM-4050 Digital Output Wiring.....	47
3.8	ADAM-4051 16-Channel Isolated Digital Input Module	48
	Figure 3.28ADAM-4051 16-Channel Isolated Digital Input Module 48	
3.8.1	Application Wiring	49
	Figure 3.29ADAM-4051 Dry Contact Wiring Diagram	49
	Figure 3.30ADAM-4051 Wet Contact Wiring Diagram	49
3.9	ADAM-4052 Isolated Digital Input Module	50
	Figure 3.31ADAM-4052 Isolated Digital Input Module	50
3.9.1	Application Wiring	51
	Figure 3.32ADAM-4052 Isolation Digital Input Wiring Ground ...	51
3.10	ADAM-4053 16-Channel Digital Input Module	51
	Figure 3.33ADAM-4053 16-channel Digital Input Module	51
	Figure 3.34ADAM-4053-F 16-channel Digital Input Module	52
3.10.1	Application Wiring	54
	Figure 3.35ADAM-4053 Wet Contact Input Wiring Diagram	54
	Figure 3.36ADAM-4053 Contact Closure Input Wiring Diagram	54
3.11	ADAM-4055 16-Channel Isolated Digital I/O Module.....	55
	Figure 3.37ADAM-4055 16-Channel Digital I/O Module.....	55
3.11.1	Application Wiring:	56
	Figure 3.38ADAM-4055 Digital Output Wiring Diagram	56
	Figure 3.39ADAM-4055 Digital Input Dry Contact Wiring Diagram 56	
	Figure 3.40ADAM-4055 Digital Input Dry Contact Diagram (Inter- nal)	57
	Figure 3.41ADAM-4055 Digital Input Wet Contact Wiring Diagram 57	
	Figure 3.42ADAM-4055 Digital Input Wet Contact Diagram (Inter- nal)	58
	Figure 3.43ADAM-4055 Default Jumper Setting for the Digital Input Wiring	58
	Figure 3.44ADAM-4055 Default Jumper Setting for the Digital Input Wiring	59
3.12	ADAM-4056S 12-Channel Sink Type Isolated Digital Output Module	60
	Figure 3.45ADAM-4056S 12-Channel Sink Type Isolated Digital Output Module.....	60

3.12.1	Technical Specifications of ADAM-4056S	60
3.12.2	Application Wiring	61
	Figure 3.46ADAM-4056S Digital Output Wiring Diagram	61
3.13	ADAM-4056SO 12-Channel Source Type Isolated Digital Output Module .	62
	Figure 3.47ADAM-4056SO 12-Channel Source Type Isolated Dig- ital Output Module	62
3.13.1	Technical Specifications of ADAM-4056SO.....	62
3.13.2	Application Wiring	63
	Figure 3.48ADAM-4056SO Digital Output Wiring Diagram	63
3.14	ADAM-4060/4068 Relay Output Module.....	63
3.14.1	ADAM-4060 4-Channel Relay Output Module	64
	Figure 3.49ADAM-4060 4-Channel Relay Output Module.....	64
	Figure 3.50ADAM-4060F 4-Channel Relay Output Module	65
3.14.2	ADAM-4068 8-Channel Relay Output Module	66
	Figure 3.51ADAM-4068 8-Channel Relay Output Module.....	66
3.14.3	Application Wiring	67
	Figure 3.52ADAM-4060 Form A Relay Output Wiring Diagram .	67
	Figure 3.53ADAM-4060 Form C Relay Output Wiring Diagram .	67
	Figure 3.54ADAM-4068 Form C Relay Output Wiring Diagram .	67
	Figure 3.55ADAM-4068 Form A relay output Wiring Diagram....	68
3.15	ADAM-4069 8-Channel Relay Output Module	68
	Figure 3.56ADAM-4069 Relay Output Module	68
3.15.1	Specifications.....	69
3.15.2	Wiring.....	69
	Figure 3.57ADAM-4069 Form C Relay Output	69
	Figure 3.58ADAM-4069 Form A Relay Output	69
3.16	ADAM-4080 Counter/Frequency Input Modules	70
3.16.1	ADAM-4080 Counter/Frequency Input Modules	71
	Figure 3.59ADAM-4080 Counter/Frequency Input Module	71
3.16.2	Application Wiring	72
	Figure 3.60ADAM-4080 Non-Isolated Input.....	72
	Figure 3.61ADAM-4080 Photo-Isolated Input.....	72
	Figure 3.62ADAM-4080 Digital Output Wiring	72

Chapter 4 Command Set73

4.1	Introduction	74
4.2	Syntax	74
4.3	I/O Module Commands Search Table.....	75
	Table 4.1: ADAM-4015 Command Table	75
	Table 4.2: ADAM-4017 Command Table	76
	Table 4.3: ADAM-4017+ Command Table	77
	Table 4.4: ADAM-4017+ Input range and external calibrating input source for each input type	77
	Table 4.5: ADAM-4018+ Command Table	78
	Table 4.6: ADAM-4018+ Input range and external calibrating input source for each input type	79
	Table 4.7: ADAM-4019+ Command Table	79
	Table 4.8: ADAM-4021 Command Table	80
	Table 4.9: ADAM-4024 Command Table	81
	Table 4.10:ADAM-4050 Command Table	82
	Table 4.11:ADAM-4051 Command Table	83
	Table 4.12:ADAM-4052 Command Table	83
	Table 4.13:ADAM-4053 Command Table	84
	Table 4.14:ADAM-4055 Command Table	84
	Table 4.15:ADAM-4056S Command Table.....	85
	Table 4.16:ADAM-4056SO Command Table	86
	Table 4.17:ADAM-4060/4068 Command Table	87

Table 4.18: ADAM-4069 Command Table	88
Table 4.19: ADAM-4080 Command Table	89

Chapter 5 Analog Input Module Commands 91

5.1	Analog Input Common Command Set	92
5.1.1	%AANNTTCCFF.....	93
	Figure 5.1 Data format for FF (8-bit parameter)	93
	Table 5.1: Input Range Codes (Type Codes).....	94
	Table 5.2: ADAM-4015 command codes against Input ranges table.....	95
	Table 5.3: Baud Rate Codes	96
5.1.2	\$AA2.....	97
5.1.3	\$AAF.....	98
5.1.4	\$AAM.....	98
5.1.5	#AA.....	99
5.1.6	#AAN.....	100
5.1.7	\$AA5VV.....	101
5.1.8	\$AA6.....	102
5.1.9	\$AA0.....	103
5.1.10	\$AA1.....	104
5.1.11	#**.....	105
5.1.12	\$AA4.....	105
5.1.13	\$AAB.....	107
5.1.14	\$AA3.....	108
5.1.15	\$AA9SNNNN.....	109
5.1.16	\$AA0Ci.....	110
5.1.17	\$AA1Ci.....	111
5.1.18	\$AA7CiRrr.....	112
5.1.19	\$AA8Ci.....	113
5.1.20	\$AAXnnnn.....	114
5.1.21	\$AAY.....	115

Chapter 6 Analog Output Module Commands 117

6.1	Analog Output Module Commands for ADAM-4021	118
6.1.1	%AANNTTCCFF.....	119
	Figure 6.1 Data format for FF (8-bit parameter)	119
	Table 6.1: Baud Rate Codes	120
	Table 6.2: Output Range Codes (Type Codes).....	120
6.1.2	#AA.....	121
6.1.3	\$AA4.....	122
6.1.4	\$AA3.....	123
6.1.5	\$AA0.....	124
6.1.6	\$AA1.....	125
6.1.7	\$AA2.....	126
6.1.8	\$AA6.....	127
6.1.9	\$AA8.....	128
6.1.10	\$AA5.....	129
6.1.11	\$AAF.....	130
6.1.12	\$AAM.....	131
6.1.13	\$AAX0nnnn.....	131
6.1.14	\$AAX1.....	131
6.1.15	\$AAX2.....	132
6.1.16	\$AAS.....	132
6.2	Analog Output Module Commands for ADAM-4024	133
	Table 6.3: ADAM-4024 Command Review	133

Chapter 7 I/O, Relay & Counter/Frequency.....137

7.1	Digital I/O and Relay Output Module Command.....	138
7.1.1	%AANNTTCCFF.....	139
	Figure 7.1 Data Format for FF (8-bit parameter).....	139
	Table 7.1: Baud Rate Codes.....	140
7.1.2	\$AA6.....	141
7.1.3	#AABB.....	143
7.1.4	#**.....	145
7.1.5	\$AA4.....	145
7.1.6	\$AA2.....	147
	Table 7.2: Baud Rate Codes.....	148
	Figure 7.2 Data Format for FF (8-bit parameter).....	148
7.1.7	\$AA5.....	149
7.1.8	\$AAF.....	150
7.1.9	\$AAM.....	151
7.1.10	\$AAX0TTTTDD.....	152
7.1.11	\$AAX1.....	153
7.1.12	\$AAX2.....	154
7.1.13	\$AAE0.....	154
7.1.14	\$AAP.....	155
7.1.15	AAS.....	156
7.1.16	\$AAXnnnn.....	157
7.1.17	\$AAY.....	158
7.2	Counter/Frequency Module Command.....	159
7.2.1	Configuration, Counter Input and Display Command Set.....	159
	Figure 7.3 Data format for FF (8-bit parameter).....	160
	Table 7.3: Baud Rate Codes.....	160
7.2.2	Counter Setup Command Set.....	166
7.2.3	Digital Filter and Programmable Threshold Command Set.....	175
7.2.4	Digital Output and Alarm Command Set.....	184

Chapter 8 Calibration.....193

8.1	Analog Input Module Calibration.....	194
	Figure 8.1 Zero Calibration.....	194
	Figure 8.2 Span Calibration.....	195
	Figure 8.3 Cold Junction Calibration.....	195
8.2	Analog Output Calibration.....	196
	Figure 8.4 Setup for Analog Output Calibration.....	196

Appendix A Technical Specifications.....199

A.1	ADAM-4017/4017+ 8-channel Analog Input Module.....	200
	Table A.1: ADAM-4017/4017+ Specifications.....	200
	Figure A.1 ADAM-4017/4017+ Function Diagram.....	201
A.2	ADAM4018+ 8-channel Analog Input Module.....	202
	Table A.2: ADAM-4018+ Specifications.....	202
	Table A.3: ADAM-4018+ Range Accuracy for Thermocouple.....	202
	Figure A.2 ADAM-4018+ Function Diagram.....	203
A.3	ADAM-4019+ 8-channel Universal Analog Input Module.....	204
	Table A.4: ADAM-4019+ Specifications.....	204
	Table A.5: ADAM-4019+ Range Accuracy for Thermocouple.....	205
	Figure A.3 ADAM-4019+ Function Diagram.....	206
A.4	ADAM-4021/4024 Analog Output Module.....	207
	Table A.6: ADAM-4021/4024 Specifications.....	207
	Figure A.4 ADAM-4021 Function Diagram.....	208
	Figure A.5 ADAM-4024 Function Diagram.....	209

A.5	ADAM-4050 Digital I/O Module	210
	Table A.7: ADAM-4050 Specifications	210
	Figure A.6 ADAM-4050 Function Diagram	210
A.6	ADAM-4051/4052 Isolated Digital Input Module	211
	Table A.8: ADAM-4051/4502 Specifications	211
	Figure A.7 ADAM-4051/4052 Function Diagram	212
A.7	ADAM-4053 16-channel Digital Input Module	213
	Table A.9: ADAM-4053 Specifications	213
	Figure A.8 ADAM-4053 Function Diagram	214
A.8	ADAM-4055 Isolated Digital Input/Output Module	215
	Table A.10:ADAM-4055 Isolated Digital Input/Output Module..	215
	Figure A.9 ADAM-4055 Function Diagram	216
A.9	ADAM-4056S 12-channel Sink Type Isolated Digital Output Module ...	217
	Table A.11:ADAM-4056S Specifications	217
	Figure A.10ADAM-4056S Function Diagram.....	218
A.10	ADAM-4056SO 12-channel Source Type Isolated Digital Output Module..	219
	Table A.12:ADAM-4056SO Specifications	219
	Figure A.11ADAM-4056SO Function Diagram	220
A.11	ADAM-4060 Relay Output Module.....	221
	Table A.13:ADAM-4060 Specifications.....	221
	Figure A.12ADAM-4060 Function Diagram	222
A.12	ADAM-4068/4069 8-Channel Relay Output Module	223
	Table A.14:ADAM-4068/4069 Specifications.....	223
	Figure A.13ADAM-4068/4069 Function Diagram	223
A.13	ADAM-4080 Counter/Frequency Input Module	224
	Table A.15:ADAM-4080 Specifications.....	224
	Figure A.14ADAM-4080 Function Diagram	225

Appendix B Data Formats and I/O Ranges 227

B.1	Analog Input Formats.....	228
	B.1.1 Engineering Units	228
	B.1.2 Percent of FSR	229
	B.1.3 Two's complement hexadecimal.....	230
	B.1.4 Ohms	231
B.2	Analog Input Ranges	232
B.3	Analog Output Formats	234
	B.3.1 Engineering Units	234
	B.3.2 Percent of Span	235
	B.3.3 Hexadecimal	235
B.4	Analog Output Ranges.....	235

Appendix C Technical Diagrams 237

C.1	ADAM Dimensions.....	238
	Figure C.1 ADAM Modules Dimensions.....	238
C.2	Installation	239
	C.2.1 DIN-Rail Mounting	239
	Figure C.2 DIN-Rail Adapter	239
	Figure C.3 DIN-Rail Mounting	240
	C.2.2 Panel Mounting.....	241
	Figure C.4 Panel Mounting Bracket Dimensions	241
	Figure C.5 Panel Mounting	241
	C.2.3 Piggyback Stack	242
	Figure C.6 Piggyback Stack.....	242

Appendix D	Utility Software	243
D.1	Adam/Apax .NET Utility Software	244
	Figure D.1 Search Screen	244
	Figure D.2 Configuration Screen.....	245
	Figure D.3 Terminal Function.....	246
	Figure D.4 Terminal Function.....	247
D.2	The Procedure for the ADAM-4000 Series Installation Guide.....	248
Appendix E	RS-485 Network	251
E.1	RS-485 Network.....	252
E.2	Basic Network Layout	252
	Figure E.1 Daisy chaining	253
	Figure E.2 Star Structure	253
	Figure E.3 Random Structure	253
E.3	Line Termination	254
	Figure E.4 Signal Distortion	254
	Figure E.5 Termination resistor locations.....	254
E.4	RS-485 Data Flow Control	255
	Figure E.6 RS-485 data flow control with RTS.....	255
Appendix F	Using the Checksum Feature	257
F.1	Checksum Enable/Disable	258
	Table F.1: Printable ASCII Characters	259
Appendix G	I/O Modbus Mapping Table	261
G.1	ADAM-4000 I/O Modbus Mapping Table	262
Appendix H	Changing to Modbus Protocol	277
H.1	Changing Configuration to Modbus Protocol	278

Chapter 1

Introduction

1.1 Overview

The ADAM Series is a set of intelligent sensor-to-computer interface modules containing built-in microprocessors. They are remotely controlled through a simple set of commands issued in ASCII format and transmitted in RS-485 protocol. They provide signal conditioning, isolation, ranging, A/D and D/A conversion, data comparison, and digital communication functions. Some modules provide digital I/O lines for controlling relays and TTL devices.

Software Configuration and Calibration

By merely issuing a command from the host computer, you can change an analog input module to accept several ranges of voltage input, thermocouple input or RTD input. All of the module's configuration parameters including I/O address, communication speed, HI and LO alarm, calibration parameters settings may be set remotely. Remote configuration can be done by using either the provided menu-based software or the command set's configuration and calibration commands.

By storing configuration and calibration parameters in a nonvolatile EEPROM, modules are able to retain these parameters in case of power failure.

Watchdog Timer

A watchdog timer supervisory function will automatically reset the ADAM modules in the event of system failure. Maintenance is thus simplified.

Power Requirements

Although the modules are designed for standard industrial unregulated 24 V_{DC} power supply, they accept any power unit that supplies power within the range of +10 to +30 V_{DC}. The power supply ripple must be limited to 5 V peak-to-peak, and the immediate ripple voltage should be maintained between +10 and +30 V_{DC}.

Connectivity and Programming

ADAM modules can connect to and communicate with all computers and terminals. They use RS-485 transmission standards, and communicate with ASCII format commands. The command set for every module type consists of approximately ten different commands.

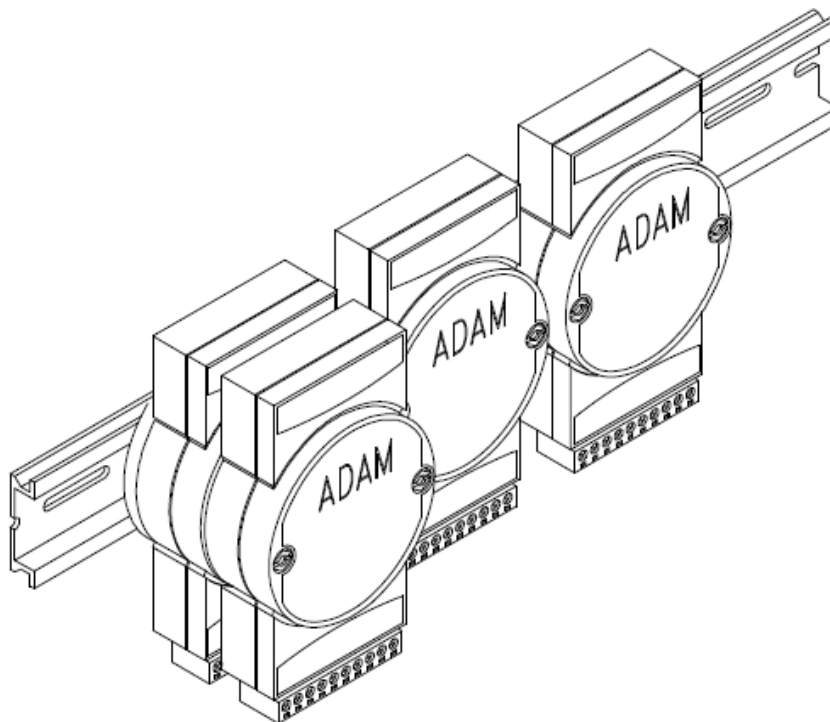
The command set for input modules is larger because it incorporates alarm functions. All communications to and from the module are performed in ASCII, which means that ADAM modules can be virtually programmed in any high-level language.

RS-485 Network

The RS-485 network provides lower-noise sensor readings, as modules can be placed much closer to the source. Up to 256 ADAM modules may be connected to an RS-485 multi-drop network by using the ADAM RS-485 repeater which extends the maximum communication distance up to 4,000 ft. The host computer is connected to the RS-485 network with one of its COM ports through the ADAM-452x module (RS-232 to RS-422/485 converter).

To boost the network's throughput, ADAM RS-485 repeater uses a logical RTS signal to manage the repeater's direction. The only two wires that are needed for the RS-485 network, DATA+ and DATA-, are an inexpensive shielded twisted pair.

Panel/DIN Rail mounting



ADAM modules can be mounted on any panels, brackets, or DIN rails. They can also be stacked together. The RS-485 network, together with screw-terminal plug connectors, allows for system expansion, reconfiguration, and repair without disturbing field wiring.

Protection against the environment

Since all the configurations are controlled by software, the protection provided by the packaging is very important. The plastic outer shell enhances resistance against corrosive materials, moisture and vibrations. ADAM modules' low power requirements help them to operate in temperatures from 0 to 70°C, and in humidity from 0 to 95% (non-condensing). They are compactly built using automated SMT technology. Therefore, they can be implemented in water-tight and explosion-proof industrial enclosures.

1.2 Applications

- Remote data acquisition
- Process monitoring
- Industrial process control
- Energy management
- Supervisory control
- Security systems
- Laboratory automation
- Building automation
- Product testing
- Direct digital control

Chapter 2

Installation Guideline

This chapter provides guidelines for what is needed to set up and install an ADAM network. A quick hookup scheme is provided that lets you configure modules before they are installed in a network. To help you connect ADAM modules with sensor inputs, several wiring examples are provided. At last, you will find a programming example using the ADAM command set at the end of this chapter. Be sure to plan the layout and configuration of your network carefully before you start. Guidelines regarding layout are given in Appendix E: RS-485 Network.

2.1 System Requirements to Set up an ADAM Network

The following list gives an overview of what is needed to setup, install and configure an ADAM environment.

- ADAM modules
- A host computer, such as an IBM PC/AT compatible, that can output ASCII characters with a RS-232C or RS-485 port
- Power supply for the ADAM modules (+10 to +30 V_{DC})
- Adam/Apax .NET Utility software
- ADAM Isolated RS-232/RS-485 Converter (optional)
- RS-232/RS-485 ADAM Repeater (optional)

Host computer

Any computer or terminal that can output in ASCII format over either RS-232 or RS-485 can be connected as the host computer. When only RS-232 is available, an ADAM RS-232/RS-485 Converter is required to transform the host signals to the correct RS-485 protocol. The converter also provides opto-isolation and transformer-based isolation to protect your equipment.

Power supply

For the ease of use in industrial environments, the ADAM modules are designed to accept industry standard +24 V_{DC}, unregulated power.

Operation is guaranteed when using any power supply between +10 and +30 V_{DC}. Power ripples must be limited to 5 V peak to peak while the voltage in all cases must be maintained between +10 and +30 V_{DC}. All power supply specifications are referenced on the module connector. When modules are powered remotely, the effects of DC voltage drops must be considered.

All modules use on-board switching regulators to sustain good efficiency over the 10 to 30 V input range; therefore, we can assume that the actual drawn current is inversely proportional to the DC voltage.

The following example shows how to calculate the required current that a power supply should provide.

Assume that a +24 V_{DC} is used for five ADAM-4011 Analog Input Modules, and the distance between modules and the power supply is not significant enough to cause a DC voltage drop. One ADAM-4011 module consumes a maximum of 1.2 Watts (W). The total required power will equal to $5 \times 1.2 = 6$ W. A power supply of +24 V_{DC} should therefore be able to supply a minimal current of $6 / 24 = 0.25$ Amps.

Small systems may be powered using wall-mounted modular power supplies. Also, when modules operate in long communication lines (>500 feet), it is often more reliable to obtain power locally through modular power supplies. These inexpensive units can be easily obtained from any electronic retail stores.

The power cables should be selected according to the length of the power lines and the number of modules connected. When implementing a network with long cables, the use of thicker wire is more suitable due to the limitation of DC voltage drop. Furthermore, long wires can also cause interference with communication wires.

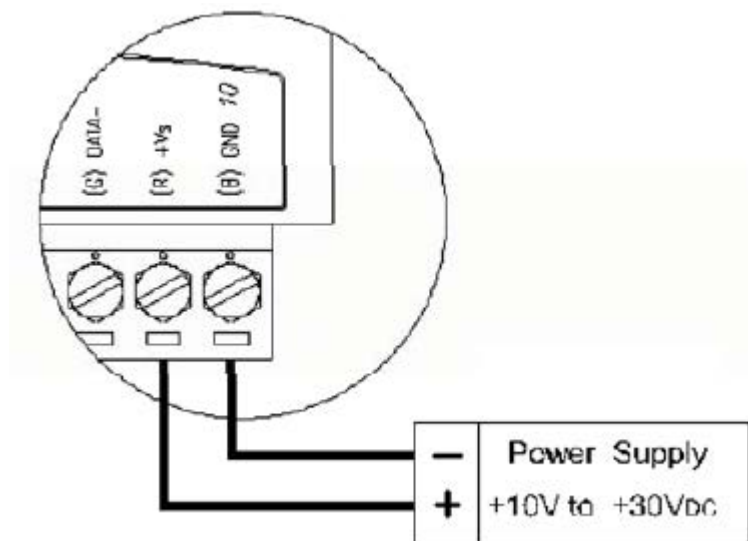


Figure 2.1 Power Supply Connections

We advise the following standard colors (as indicated on the modules) for each power line:

+Vs	(R)	Red
GND	(B)	Black

Communication Wiring

We recommend the use of shielded-twisted-pair cable in the ADAM network for reducing interference, but the cable has to comply with the EIA RS-485 standard. Furthermore, only one set of twisted pair cable is required for transmitting data. We advise the following standard colors (as indicated on the modules) for each communication line:

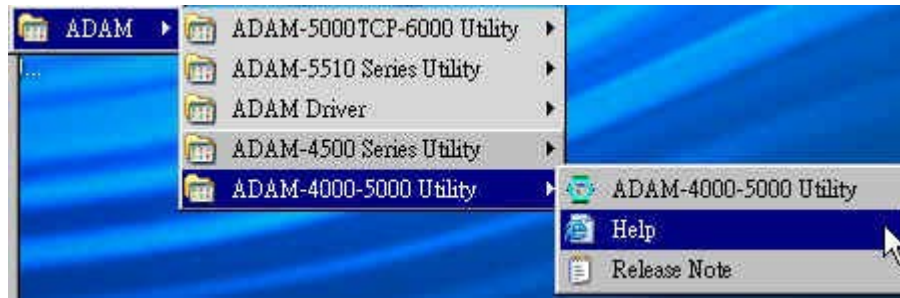
DATA+	(Y)	Yellow
DATA-	(G)	Green

Adam/Apax .NET Utility Software

A menu-driven utility program is provided for ADAM module configuration, monitoring and, calibration. It also includes a terminal emulation program that lets you communicate through the ADAM command set. (See Appendix D, Utility Software and online help)

Note! Users can refer to our help file to see more details for utility operation.





ADAM Communication Speed

In the ADAM series, the baud rate can be configured from 1200 bps to 115.2 kbps. However, the baud rate of all modules in an RS-485 network must be the same.

ADAM Isolated RS-232/RS485 Converter (optional): ADAM-452x

When the host computer or terminal only has a RS-232 port, an ADAM Isolated RS-232/RS-485 converter is required. Since this module is not addressable by the host, the baud rate must be reset using a switch inside the module. The factory default setting is 9600 baud.

ADAM Repeater (optional): ADAM-451x

When communication lines exceed 4000 ft (1200 meter) or more than 32 ADAM modules are connected, a repeater should be implemented. In a network, up to eight Repeater modules can be connected allowing connection up to 255 ADAM modules. As with the converter module, the repeater module is not addressable by the host and the baud rate must be reset by changing the switch inside the module. The factory default setting is 9600 baud.

2.2 Basic Configuration and Hook-up

Before placing a module in an existing network, the module should be configured. Though all modules are initially configured at the factory, it is recommended to check if the baud rate is set correctly beforehand.

Default Factory Settings

Baud rate: 9600 Bit/sec.

Address: 01 (hexadecimal)

The basic hook-up for module configuration is shown below.

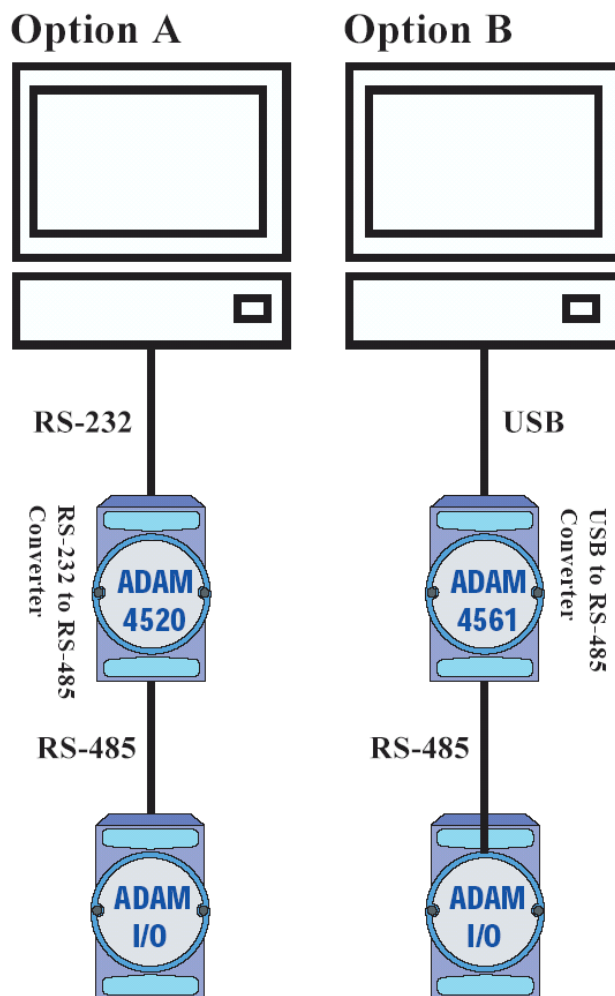


Figure 2.2 Basic Hook-up of ADAM Module to Host Switches

The following items are required to configure a module: an ADAM converter module, a personal computer with RS-232 port (baud rate set to 9600) and the Adam/Apax .NET utility software.

Configuration with the Adam/Apax .NET Utility Software

The easiest way to configure the ADAM module is by using the Adam/Apax .NET utility software. It is a user-friendly structured menu program that will guide you through every step of the configuration. (See Appendix D, Utility Software)

Changing the protocol from ADAM ASCII to Modbus

Some ADAM-4000 modules support both ADAM ASCII and Modbus protocols, and the factory default setting of these modules is the ADAM ASCII protocol. If you would like to configure the modules to Modbus protocol, please refer to Appendix H which describes how to change the protocol in Adam/Apax .NET utility.

Configuration with the ADAM command set

ADAM modules can also be configured by issuing direct commands through a terminal emulation program that is part of the Adam/Apax .NET utility software. The following example will guide you through the setup of an analog input module. Assume an ADAM-4011 analog input module still has its default settings (baud rate 9600 and address 01h), and you are being requested to send its default settings before any reconfiguration is made.

Note! *An analog input module requires a maximum of 7 seconds to perform auto calibration and ranging after reboot or startup.*



During this time span, the module can not be addressed to perform any other actions.

Example:

Make sure that the module is properly connected and turn on all the connected devices. Then, start the terminal emulation program, and type in the following command:

```
$012(cr)
```

The command above requests the module with address 01 to send its configuration status

```
!01050600
```

Module at address 01 responds that it is configured for an input range of +/-2.5 V, baud rate of 9600, integration time of 50 ms (60 Hz).

The code also shows engineering units and no checksum checking or generation.

To change the configuration setting of the analog input module, the following command is issued:

```
%01070F0600(cr)
```

% = change configuration

01 = target module at address 00 to:

07 = change address to 07 hexadecimal

0F = set input range to Type K thermocouple

06 = set baud rate to 9600

00 = set integration time to 50 ms (60 Hz)

disable checksum

set data format to engineering units

(Please refer to Chapter 4, a full description of Command set syntax for an analog input module)

When the module received the configuration command, it will respond with its new address as shown below:

!07(cr)

Before giving more commands to the module, please wait for 7 seconds to let the new configuration settings to take effect.

Note! *All reconfiguration except for changing baud rate and checksum values can be done dynamically, and the modules are not required to be reset. However, all the connected devices are required to be reset by turning the power off and on after the baud rate or checksum values are changed. The baud rate or checksum values should be the same for all the connected devices after the reconfiguration. See the next page for a strategy for changing baud rate and checksum of the network.*



2.3 Baud Rate and Checksum

ADAM modules contain EEPROMs to store configuration information and calibration constants. The EEPROM replaces the conventional array of switches and pots that were originally used for specifying baud rate, input and output range... etc.

Since there is no visual indication of a module's configuration status, it is impossible to know the baud rate, address and other settings just by looking at it. It might not be possible to establish communications with a module whose baud rate and address are unknown. To overcome this problem, most modules have an input terminal labeled INIT*. Booting the module while connecting the INIT* terminal with the module's GND terminal forces the configuration into a known state called the INIT* state. Besides, some newer modules have an INIT switch which you can set to "Init" or "Normal" (See Figure 2.4). If you set the switch to "Init", then it will be in the INIT* state.

INIT* state defaults:

Baud rate: 9600

Address: 00h

Checksum: disabled

Forcing the module into the INIT* state does not change any parameters in the module's EEPROM. When the module is in the INIT* state with its INIT* and GND terminals shorted, all configuration settings can be changed, and the module will respond to all other commands normally.

Changing Baud rate and Checksum

Baud rate and checksum settings have several things in common:

- They should be the same for all modules and host computer.
- Their settings can only be changed by putting a module in the INIT* state.
- Changed settings can only take effect after a module is rebooted.

To alter baud rate or checksum settings, you must perform the following steps:

- Power on all components except the ADAM module.
- Power the ADAM module on while shorting the INIT* and GND terminals (See Figure 2.3) or set the INIT switch to “Init” (See Figure 2-4)

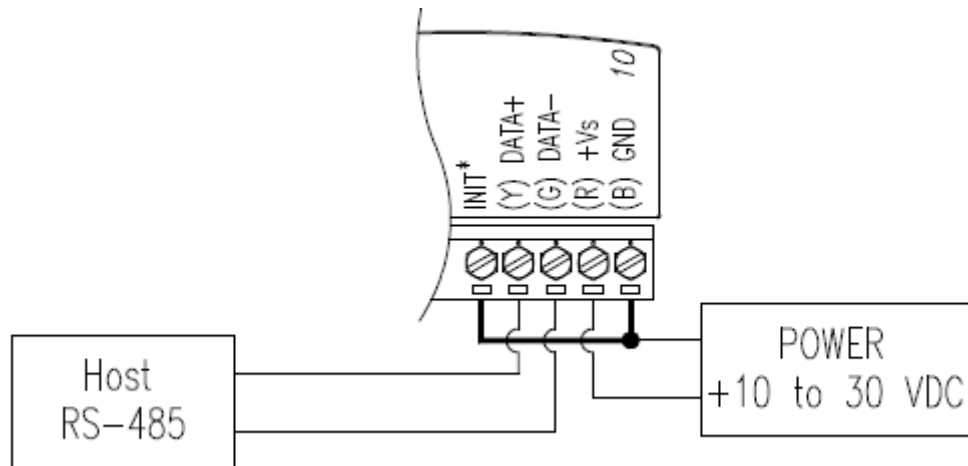


Figure 2.3 Grounding the INIT* Terminal

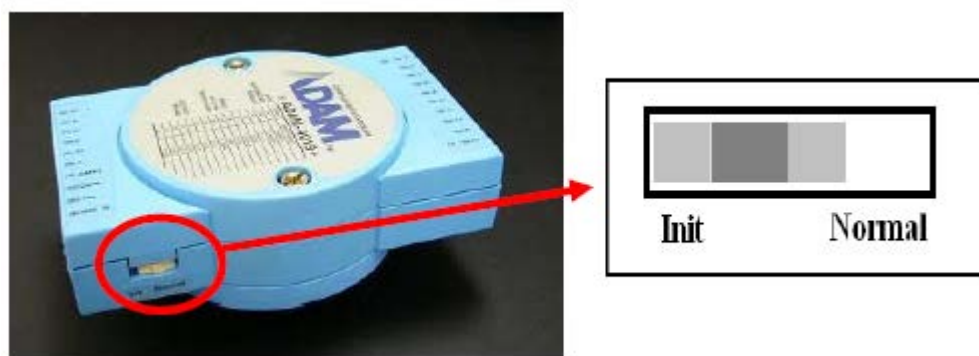


Figure 2.4 Set INIT switch to “Init”

- Configure the checksum status and/or the baud rate.
- Switch the power OFF to the ADAM Module.
- Remove the grounding of the INIT* terminal and turn on the module, or set the INIT switch to “Normal”.
- Check the settings (If the baud rate has changed, the settings on the host computer should be changed accordingly).

2.4 Multiple Module Hookup

The figure below is an example of how ADAM modules are connected in a multiple module network:

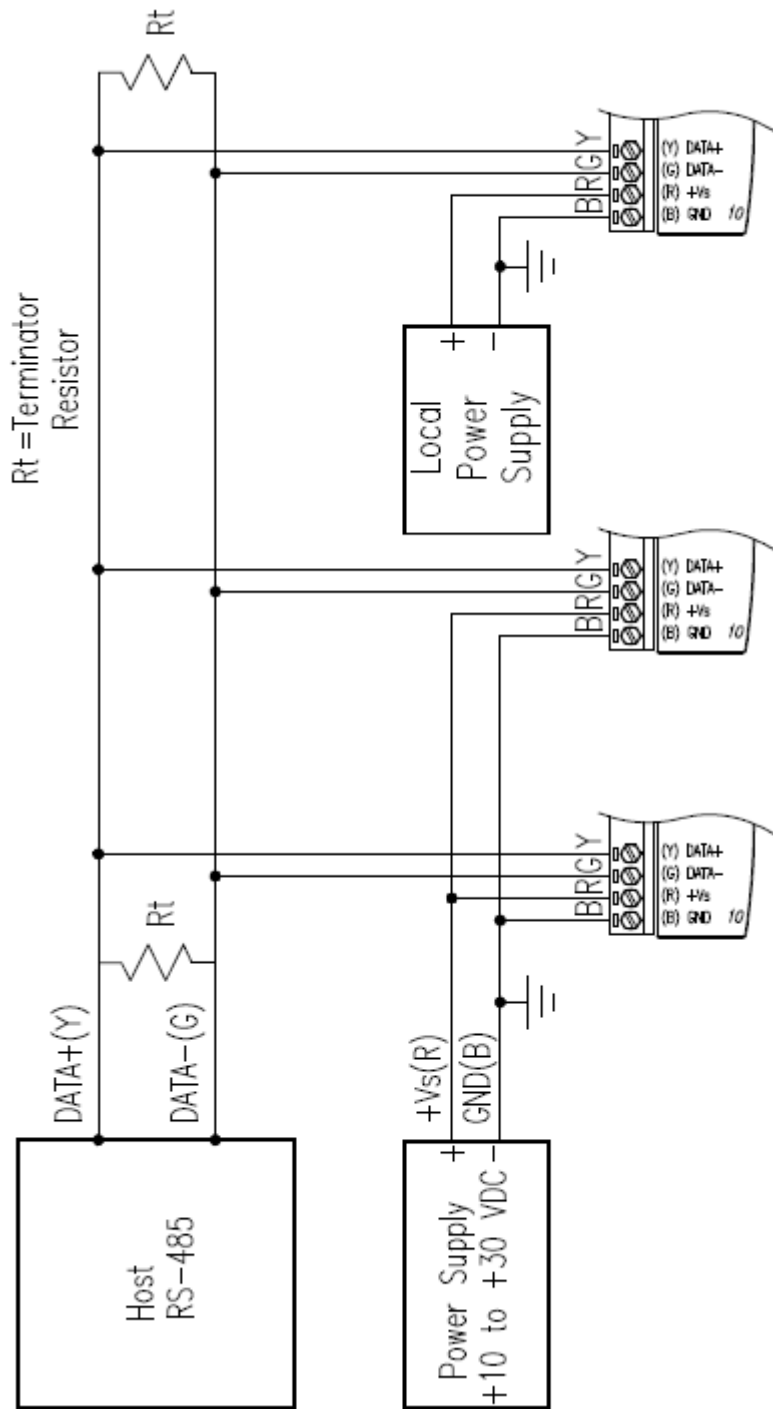
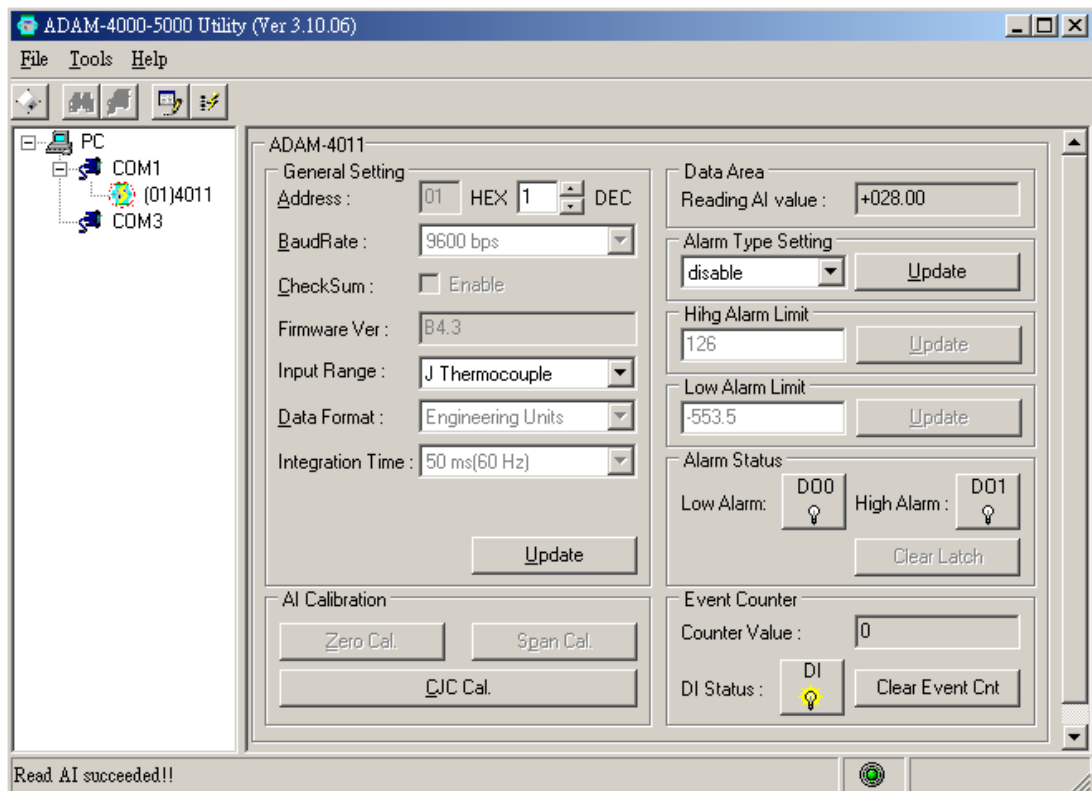


Figure 2.5 Multi-module Connection

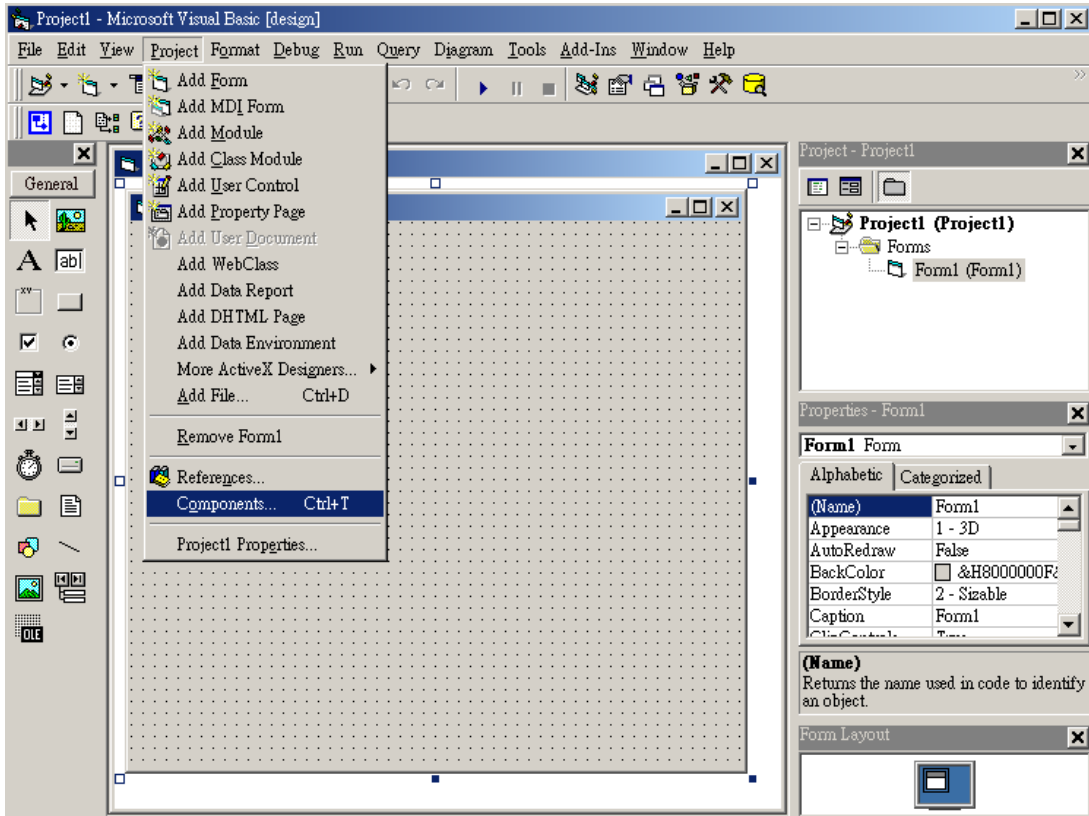
2.5 Programming Example

The following example is a simple program written in Visual Basic 6.0 that demonstrates how to get a temperature reading which is stored in the address of 01H from ADAM-4011 module.

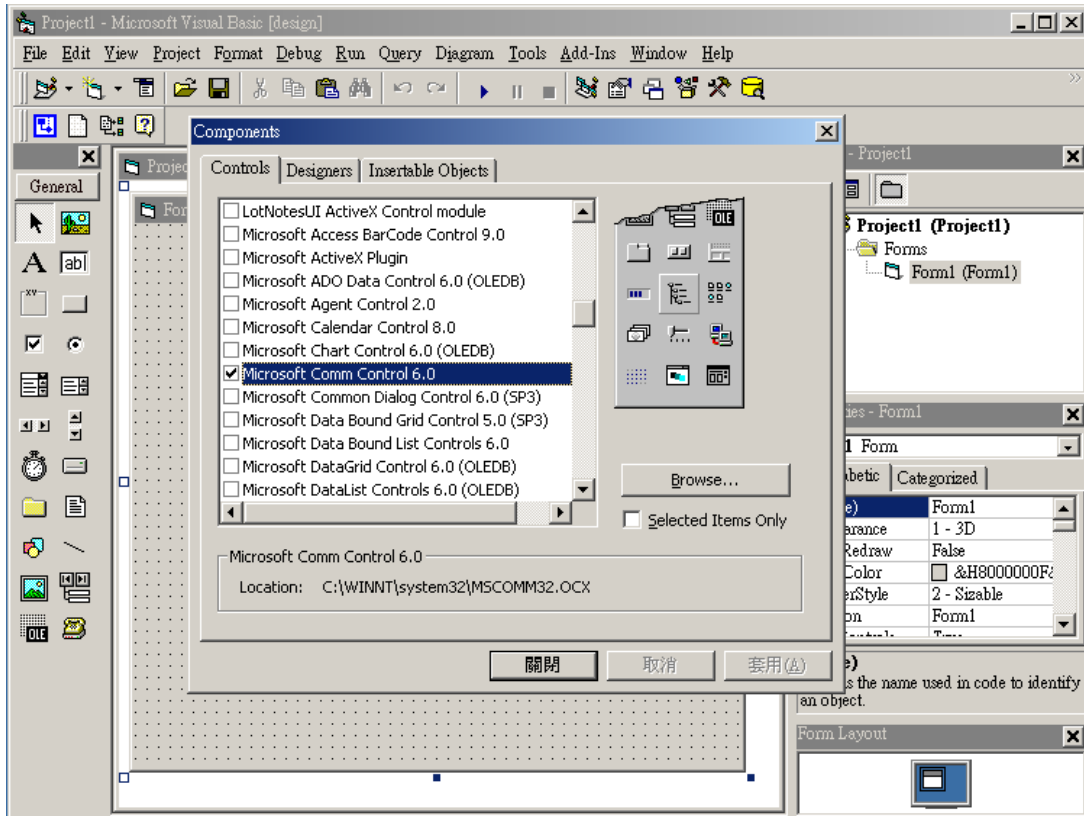
1. Use the Adam/Apax .NET Utility to check the settings as below:
“Address = 01H”, “Baud rate = 9600” and “Checksum = Disabled”.



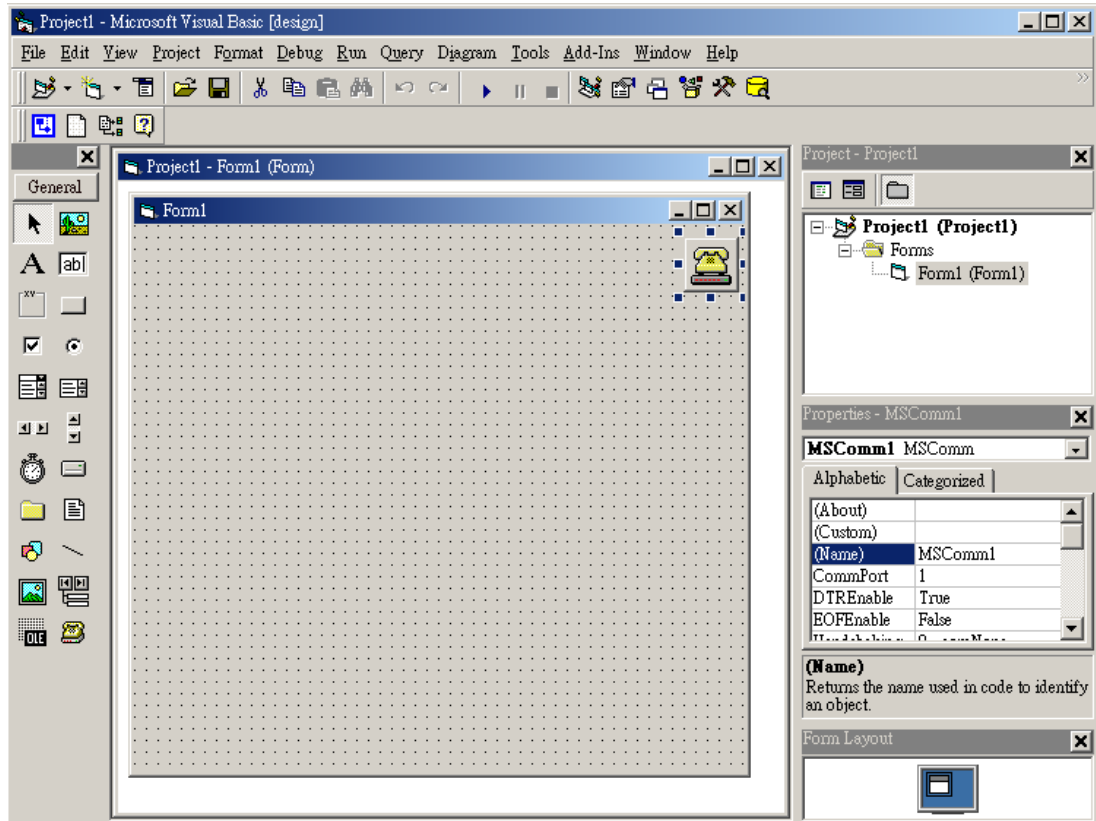
2. Run VB 6.0 and add a control via “Project\Component”.



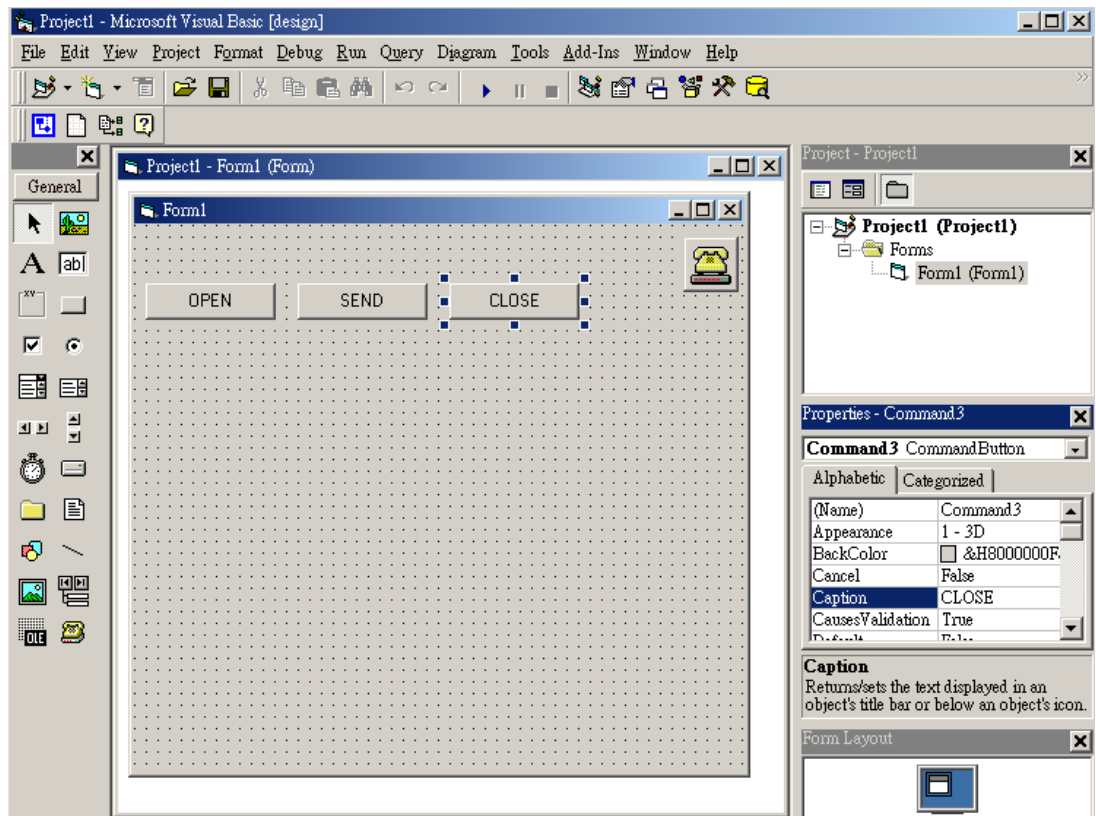
3. Select “Microsoft Comm Control”.



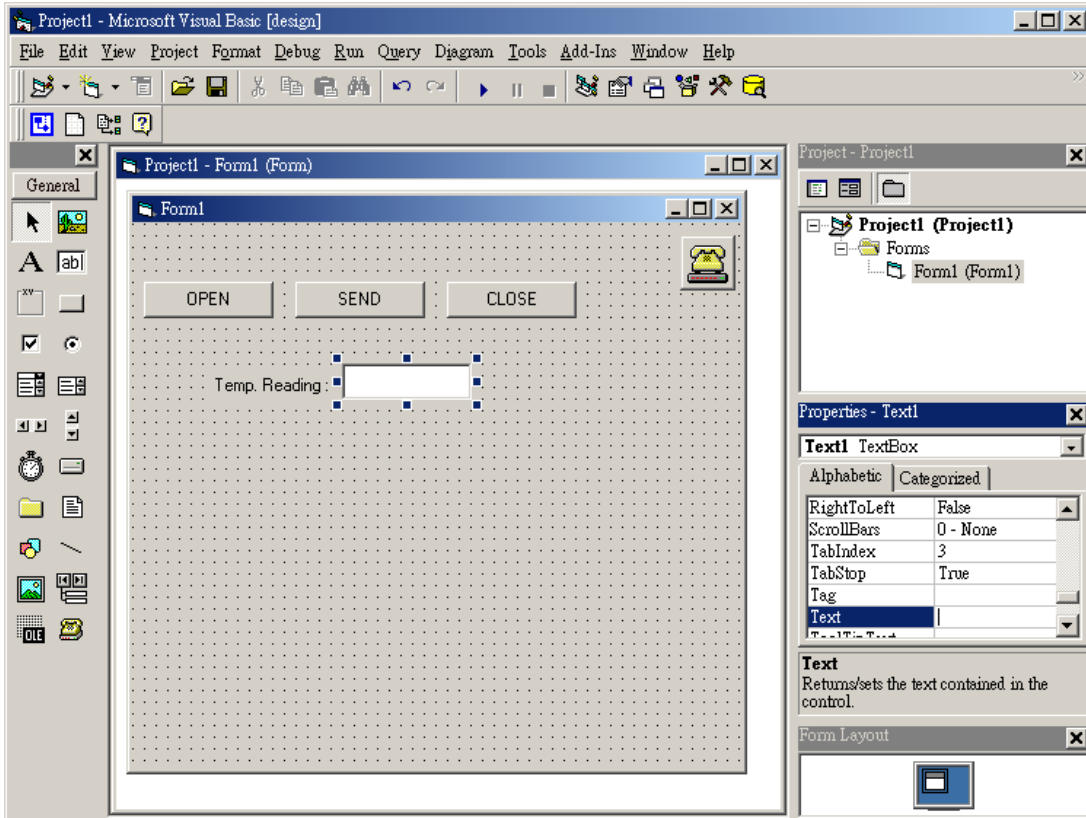
4. Add the Comm Control on the form.



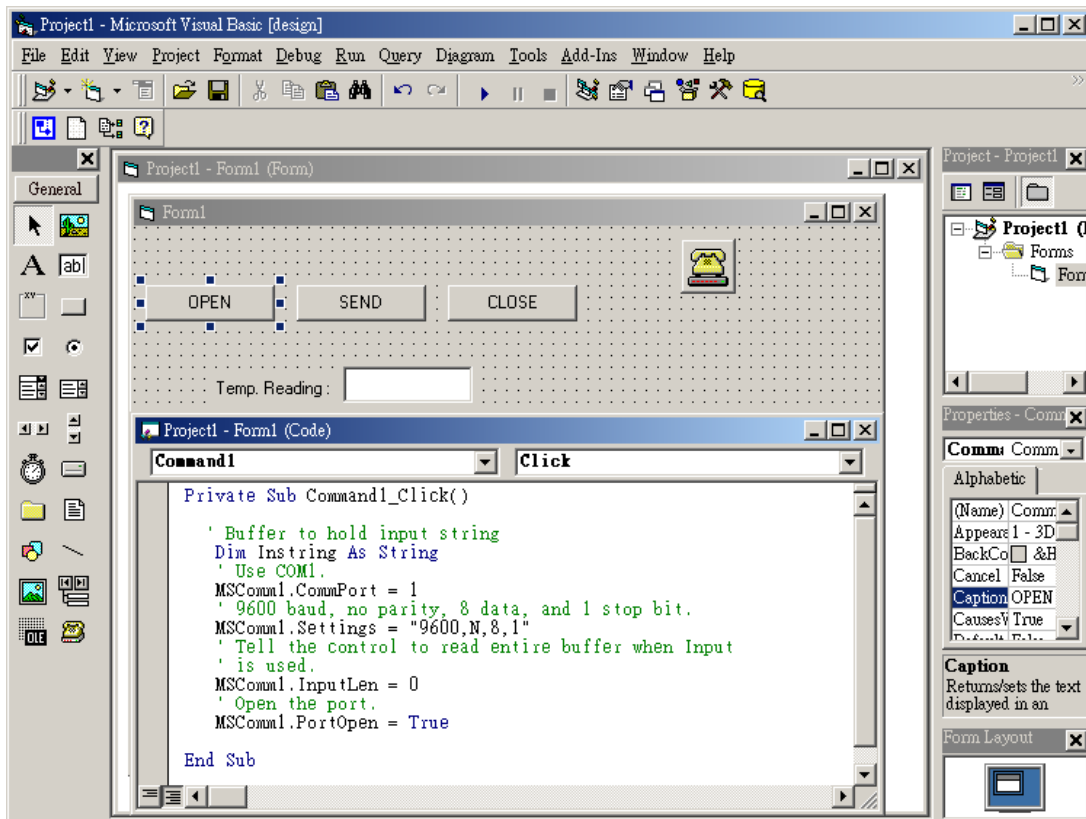
5. Add three Command Buttons on the form as shown below.



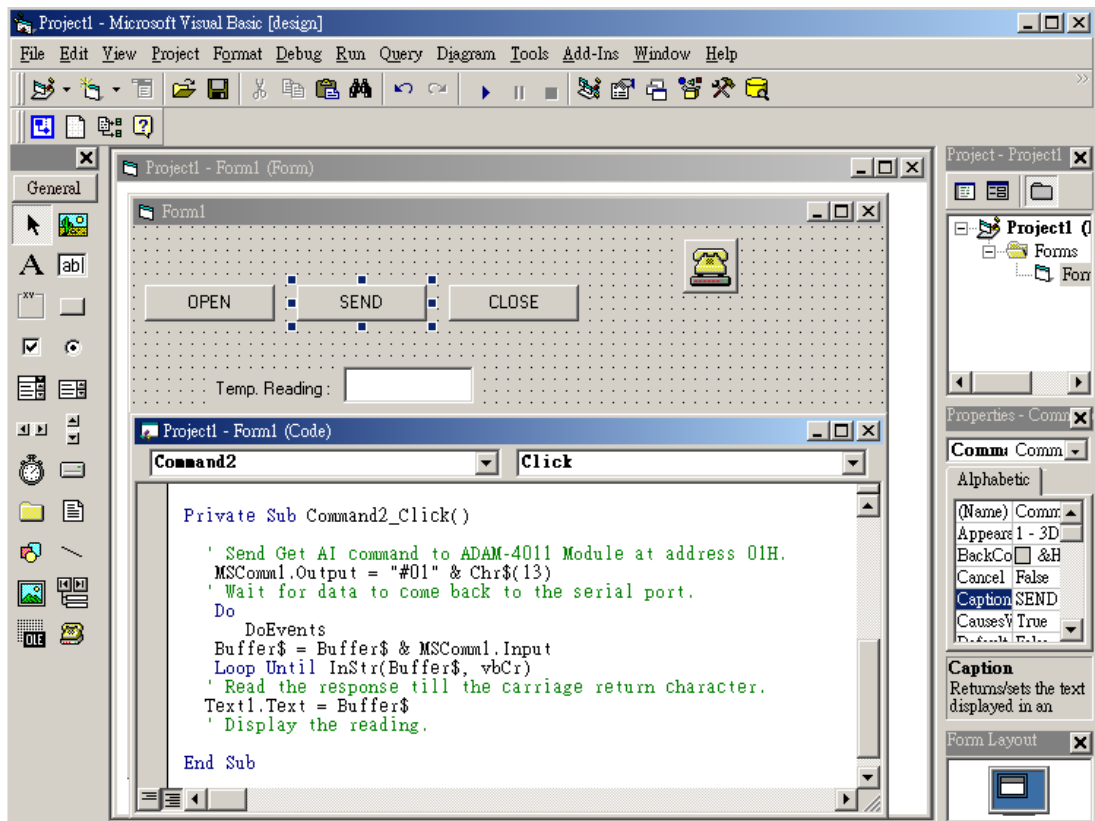
6. Add one Label and one Text on the form as shown below.



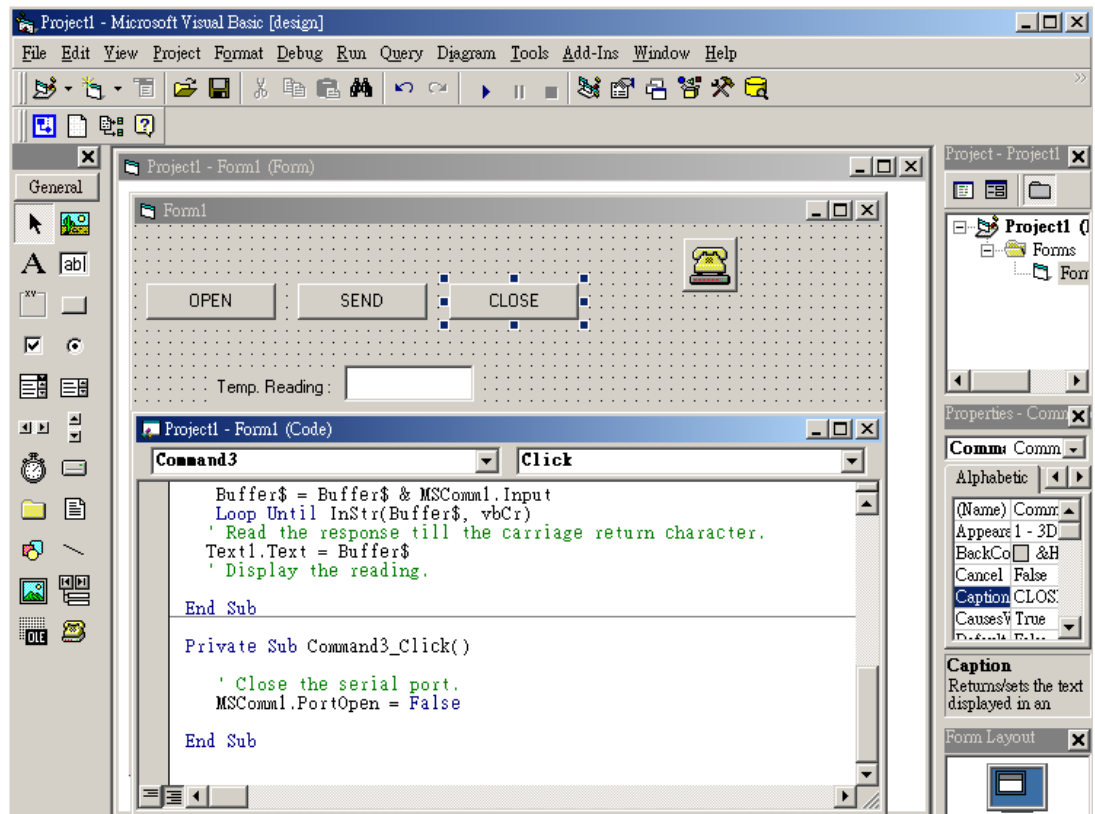
7. Click the OPEN Button and type in the following codes. The source codes are listed at the end of this section.



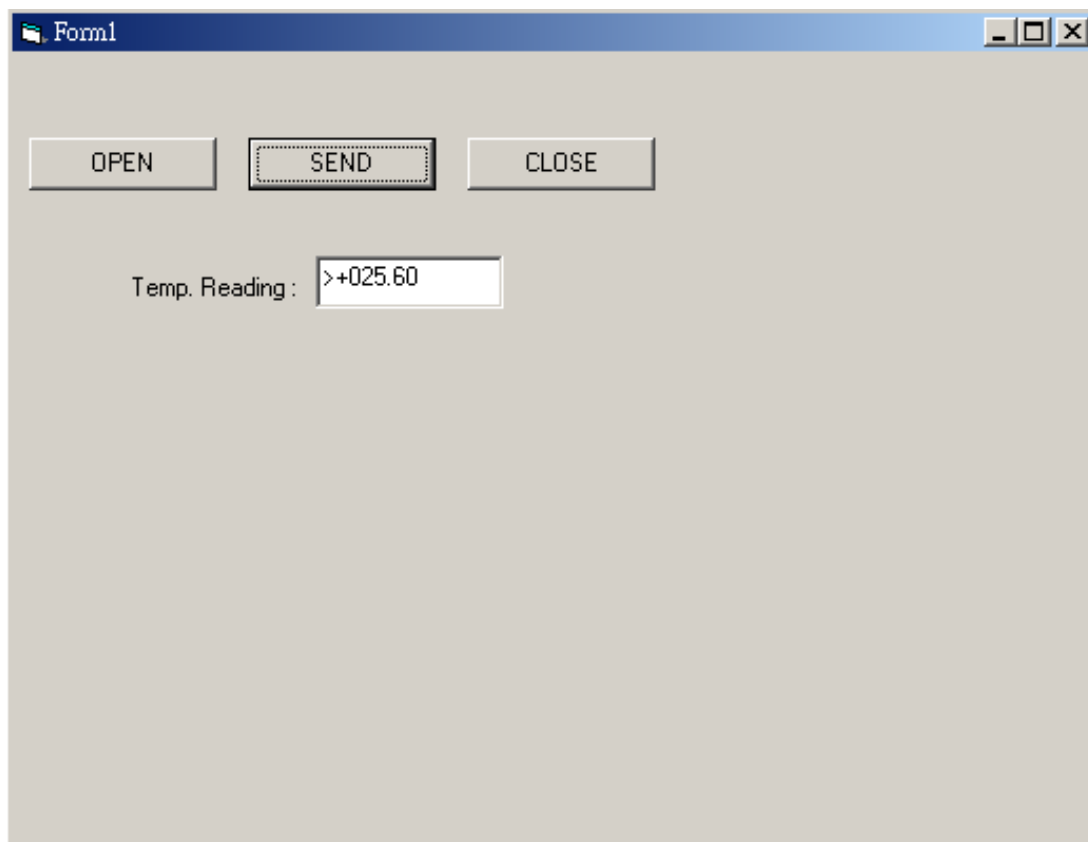
- Click the SEND Button and type in the following codes. The source codes are listed at the end of this section.



- Click the CLOSE button and type in the following codes. The source codes are listed at the end of this section.



10. Run the Project → Click OPEN to open COM1 → Click SEND to send the Get Temperature Reading Command. Now, you will find the reading the same as the displayed format shown below.



Program Source Codes:

- OPEN Command Button:

```
Private Sub Command1_Click()  
    ' Buffer to hold input string  
    Dim Instring As String  
    ' Use COM1.  
    MSComm1.CommPort = 1  
    ' 9600 baud, no parity, 8 data, and 1 stop bit.  
    MSComm1.Settings = "9600,N,8,1"  
    ' Tell the control to read entire buffer when Input ' is used.  
    MSComm1.InputLen = 0  
    ' Open the port.  
    MSComm1.PortOpen = True  
End Sub
```

- **SEND Command Button:**

```
Private Sub Command2_Click()
    ' Send Get AI command to ADAM-4011 Module at address 01H.
    MSComm1.Output = "#01" & Chr$(13)
    ' Wait for data to come back to the serial port.
    Do
        DoEvents
    Loop Until InStr(Buffer$, vbCr)
    ' Read the response till the carriage return character.
    Text1.Text = Buffer$
    ' Display the reading.
End Sub
```

- **CLOSE Command Button**

```
Private Sub Command3_Click()
    ' Close the serial port.
    MSComm1.PortOpen = False
End Sub
```

2.6 LED Status

LED	Color	Indication	Action
Status	Green	On	Module is at work
	Green	Blink	Data in transmission
DI	Green	ON/OFF	Logic 1/ Logic 0
DO	Green	ON/OFF	Logic 1/ Logic 0

Chapter 3

I/O Modules

3.1 The Common Specifications of the ADAM-4000 I/O Series

Communication:

- RS-485 (2-wire) to host
- **Speeds:** 1200, 2400, 4800, 9600, 19200, 38400, 57600, 115200 bps
- **Max. communication distance:** 4000 feet (1.2 km)
- Power and communication LED indicator
- ASCII command/Modbus RTU protocol
- Communication error checking with checksum
- Asynchronous data format:
 - 1 start bit, 8 data bits, 1 stop bit, no parity (N, 8, 1)
 - 1 start bit, 8 data bits, 1 or 2 stop bits, parity check (none, odd, even)
(ADAM-4017-F, ADAM-4017+-F, ADAM-4018+-F, ADAM-4019+-F, ADAM-4050-F, ADAM-4015-F, ADAM-4021-F, ADAM-4053-F)
- Up to 256 multidrop modules per serial port
- Online module insertion and removal
- Transient suppression on RS-485 communication lines

Power Requirement:

- Unregulated +10 ~ +30 V_{DC}
- Protected against power reversal

Mechanical:

- **Case:** ABS+PC with captive mounting hardware
- **Plug-in screw:** Stripped length: 6.5 mm
Terminal block: #14 ~22 or #14~28 AWG

Environment

- **EMI:** Meets FCC Class A or CE
- **Operating Temperature:** -10 ~ 70°C (14 ~ 158°F)
- **Storage Temperature:** -25 ~ 85°C (-13 ~ 185°F)
- **Humidity:** 5 ~ 95%, non-condensing

3.2.1 Application Wiring

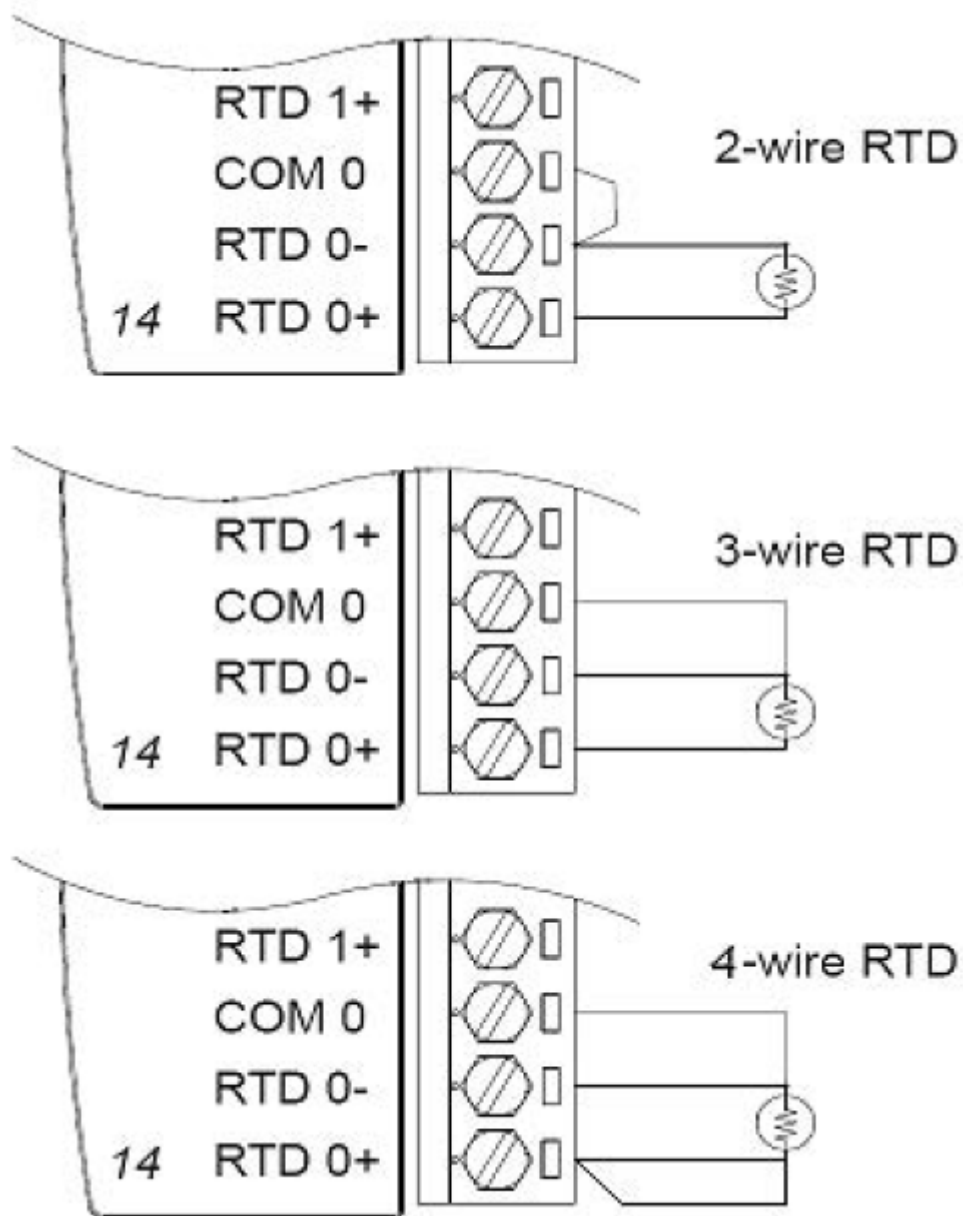


Figure 3.3 ADAM-4015 RTD Input Module Wiring Diagram

3.2.2 Technical specification of ADAM-4015

Table 3.1: Technical Specification of ADAM-4015

Channel Number	6 differential
Support Protocol	ADAM ASCII and MODBUS/RTU
Input Type	Pt100, Pt1000, BALCO500, Ni
Input Connections	2 or 3 wires
Wire Burnout Detection	Yes
Input Type and Temperature Range	Pt100: -50 to 150°C 0 to 100°C 0 to 200°C 0 to 400°C -200 to 200°C Pt1000: -40 to 160°C Balco500: -30 to 120°C Ni(518): -80~100°C 0~100°C Ni(508): 0~100°C -50~200°C BA1: -200~600°C
Isolation Voltage	3000 V _{DC}
Sampling Rate	10 sample/second (total)
Input Impedance	10 MΩ
Resolution	16-bit
Accuracy	± 0.1% (Typical)
CMR@50/60Hz	120 dB
NMR@50/60Hz	100 dB
Span Drift	±25 ppm/°C
Zero Drift	±6 μV/°C
Watchdog Timer	System (1.6 second) and Communication
Power Input	+10~+30 V _{DC} (non-regulated)
Power Consumption	Typical: 0.5 W @ 24 V _{DC} Max.: 0.9 W @ 24 V _{DC}

ADAM-4015

RTD type	Temperature Range	Accuracy
Platinum 100 (IEC)	-50 ~ 150°C 0 ~ 100°C 0 ~ 200°C 0 ~ 400°C -200 ~ 200°C	0.10%
Platinum 100 (JIS)	-50 ~ 150°C 0 ~ 100°C 0 ~ 200 °C 0 ~ 400°C -200 ~ 200°C	0.2% or better
Platinum 1000	-40 ~ 160°C	0.10%
BALCO 500	-30 ~ 120°C	0.50%
Ni 508	-50 ~ 200°C	0.10%

3.3 ADAM-4017/4017+/4018+ 8-Channel Analog Input Modules

3.3.1 ADAM-4017 8-channel Differential Analog Input Module

The ADAM-4017 is a 16-bit, 8-channel analog input module that provides programmable input ranges on all channels. This module is an extremely cost-effective solution for industrial measurement and monitoring applications. Its opto-isolated inputs provide 3000 V_{DC} of isolation between the analog input and the module, and protect the module and peripherals from damage due to high input-line voltages.

The ADAM-4017 offers signal conditioning, A/D conversion, ranging and RS-485 digital communication functions. The module protects your equipment from power surges at the ground terminal by providing opto-isolation of A/D input and up to 3000 V_{DC} transformer based isolation.

The ADAM-4017 uses a 24-bit microprocessor-controlled sigma-delta A/D converter to convert sensor voltage or current into digital data. The digital data are then translated into engineering units. When prompted by the host computer, the module sends the data to the host through a standard RS-485 interface.

3.3.2 ADAM-4017+ 8-Channel Differential Analog Input Module

Similar to its counterpart, ADAM-4017+ enables eight differential channels with multiple input ranges. This multi-channel/multi-range structure allows channels with different input ranges at the same time. It provides a solution to the demand for more analog input channels.

For example, channel 1 can have the range ± 5 V meanwhile the others are ± 10 V and ± 20 mA.

3.3.3 ADAM-4018+ 8-channel Thermocouple Input Module

ADAM-4018+ enables eight differential channels with multiple input types. This multi-channel/ multi-type structure allows synchronizing channels with different types of input. For example, channel 1 has K type input meanwhile the others have R and S types. It provides a solution to the demand for more thermocouple input channels.

ADAM-4018+ is an 8-channel T/C input module. Compared with the universal analog input module ADAM-4019, it is more dedicated to T/C and 4 ~ 20 mA inputs for those with special requests. It improves ADAM-4018 with the traditional design of six differential and two single-ended channels. It also enhances the steadiness and reliability of the wiring. Normally, broken external wires will lead to an inaccurate current value. ADAM-4018+, however, provides burnt-out detection that allows users to fix the problems easily. ADAM 4018+ has built in shunt resistor.

3.3.4 ADAM-4017 8-channel Analog Input Module

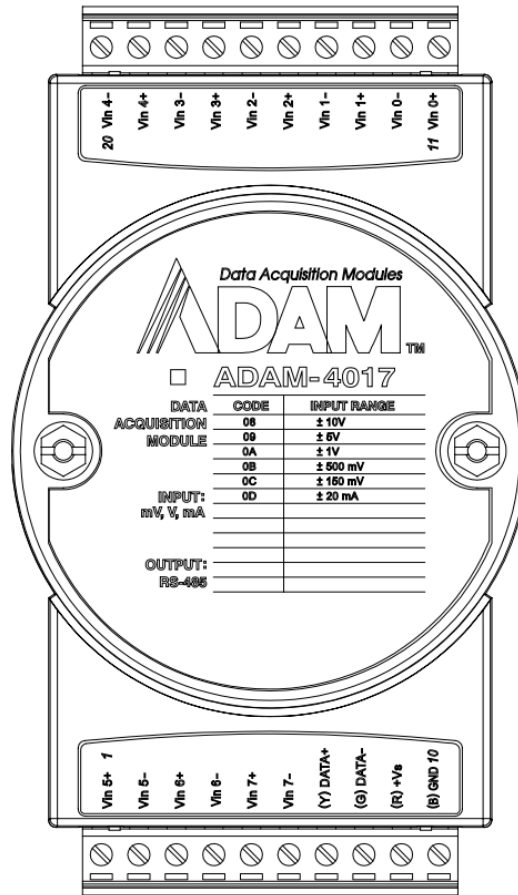


Figure 3.4 ADAM-4017 8-channel Analog Input Module

Channels:

- Eight differential

Accepts:

- Millivolt inputs: 0 ~ 150 mV*, 0 ~ 500 mV*, ±150 mV and ±500 mV
 - Volt inputs: 0 ~ 1 V*, 0 ~ 5 V*, 0 ~ 10 V*, ±1 V, ±5 V, and ±10 V
 - Current input (requires a 125 Ω resistor): 0~20mA* and ±20 mA
- * New input range for ADAM-4017-F

The module forwards the data to the host computer in engineering units (mV, V or mA)

3.3.5 ADAM-4017+ 8-channel Differential Analog Input Module

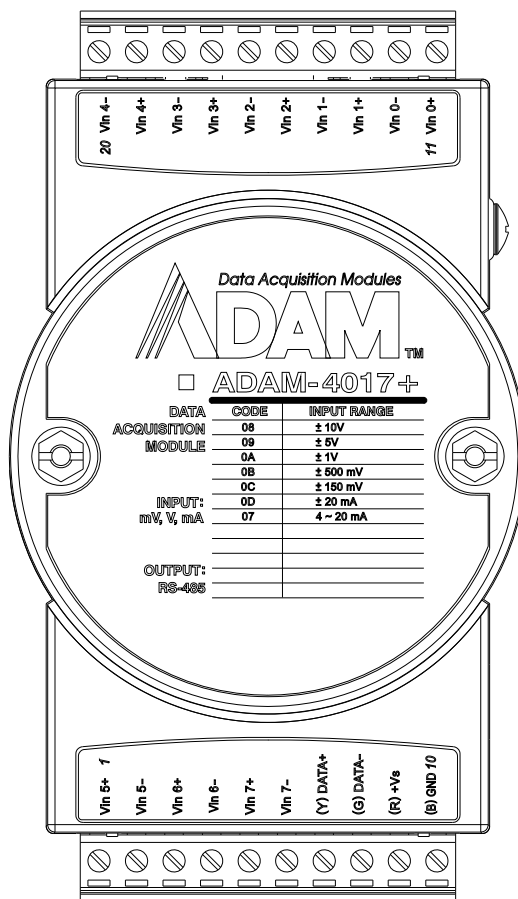


Figure 3.5 ADAM-4017+ 8-ch. differential analog input module

Jumper/Switch Settings (ADAM-4017+)

To simplify the jumper settings, for the ADAM-4017+-E/F, you can set whether the analog input type is voltage or current by adjusting the switch instead of opening the case.

Switch	SW1				SW2			
Analog input channel	CH0	CH1	CH2	CH3	CH4	CH5	CH6	CH7
Switch ON	Current input mode							
Switch OFF (default)	Voltage input mode							

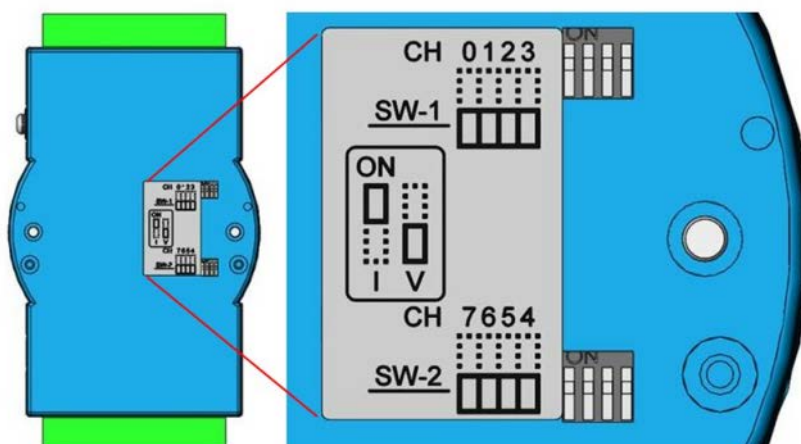




Figure 3.6 ADAM-4017+-E/F Switch Settings

Jumper setting (ADAM-4017+-CE)

JP0~ JP7		20 mA Input Range						
		Voltage Input range						
Mapping to Channel	Ch.0	Ch.1	Ch.2	Ch.3	Ch.4	Ch.5	Ch.6	Ch.7
	JP 0	JP 1	JP 2	JP 3	JP 4	JP 5	JP 6	JP 7

3.3.5.1 Technical Specifications of ADAM-4017+

Table 3.2: Technical Specifications of ADAM-4017+

Channel	8
Input Type	mV, V, mA
Input Range	±150 mV, ±500 mV, 0 ~ 150 mV*, 0 ~ 500 mV*, 0 ~ 1 V*, 0 ~ 5 V*, 0 ~ 10 V*, ±1 V, ±5 V, ±10 V, ±20 mA, 0 ~ 20 mA*, 4 ~ 20 mA Current Input doesn't need an external resistor
Isolation Voltage	3000 V _{DC}
Fault and Over-voltage	protection With stands over-voltage up to ±35 V
Sampling Rate	10 sample/sec (total)
Input Impedance	Voltage: 20 MΩ, Current: 120Ω
Accuracy	± 0.1% or better (Voltage) ± 0.2% or better (Current)
Power Consumption	1.2 W @ 24 V _{DC}
I/O Connector Type	10 pin plug-in terminal
Span drift	Current Input: ±30 ppm/°C Voltage Input: ±25 ppm/°C

* New input range for ADAM-4017-F

3.3.6 ADAM-4018+ 8-channel Thermocouple Input Module

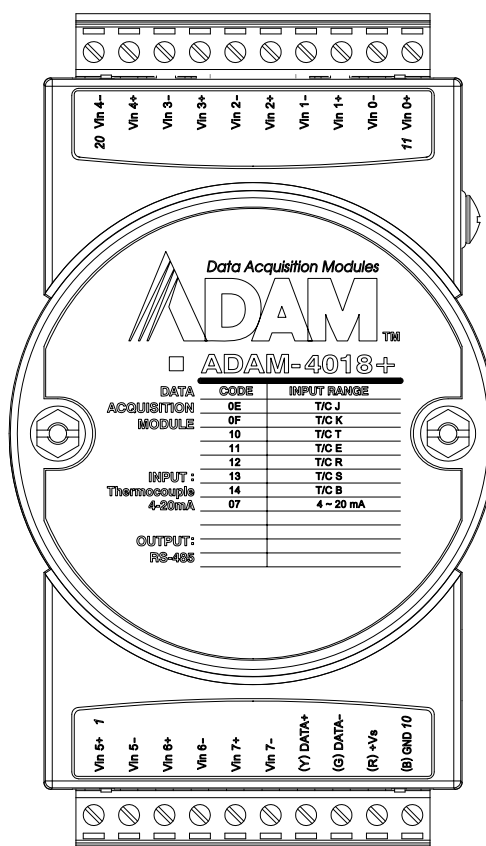


Figure 3.7 ADAM-4018+ 8-ch. thermocouple input module

Jumper/Switch Settings (ADAM-4018+)

To simplify the jumper settings, for the ADAM-4018+ (E/F version), you can set whether the analog input type is voltage or current by adjusting the switch instead of opening the case.

Switch	SW1				SW2			
Analog input channel	CH0	CH1	CH2	CH3	CH4	CH5	CH6	CH7
Switch ON	Current input mode							
Switch OFF (default)	Voltage input mode							

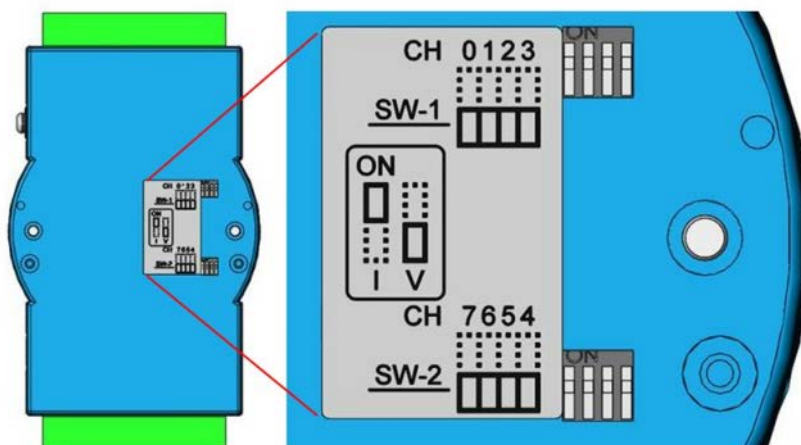


Figure 3.8 ADAM-4018+-E/F Switch Settings

Jumper setting (ADAM-4018+-BE)

JP0~ JP7		20 mA Input Range						
		Voltage Input range						
Mapping to Channel	Ch.0	Ch.1	Ch.2	Ch.3	Ch.4	Ch.5	Ch.6	Ch.7
	JP 0	JP 1	JP 2	JP 3	JP 4	JP 5	JP 6	JP 7

3.3.6.1 Technical specifications of ADAM-4018+

Table 3.3: Technical Specifications of ADAM-4018+

Channel	8
Input Type T	Thermocouple
Input range and T/C type	±20 mA, 4~20 mA J 0 ~ 760°C K 0 ~ 1370°C T -100 ~ 400°C E 0 ~ 1000°C R 500 ~ 1750°C S 500 ~ 1750°C B 500 ~ 1800°C
Isolation Voltage	3000 V _{DC}
Fault and over-voltage protection	Withstands over voltage up to ±35 V
Sampling Rate	10 sample/sec (total)
Input Impedance	Voltage: 20 MΩ, Current: 120Ω
Accuracy	± 0.1% or better (Voltage) ± 0.2% or better (Current)
Power Consumption	0.8 W @ 24 V _{DC}
I/O Connector Type	10 pin plug-in terminal

3.3.7 Application Wiring

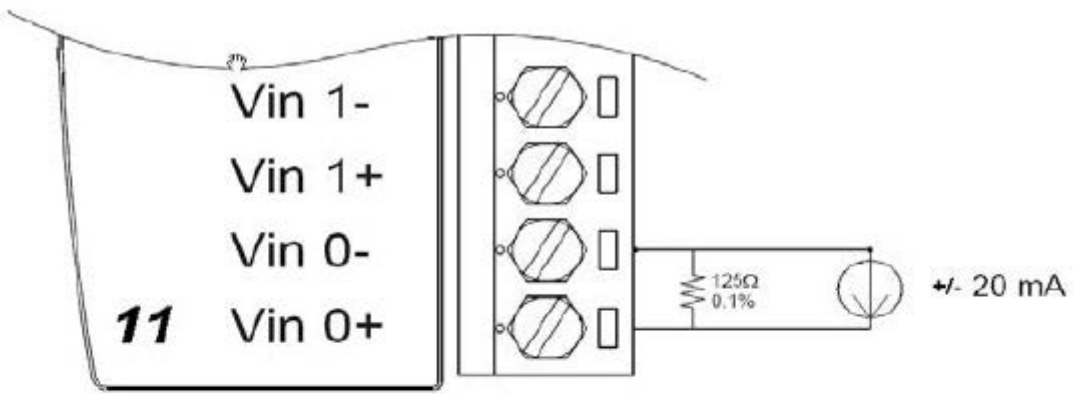


Figure 3.9 Current Input Wiring Diagram of ADAM-4017

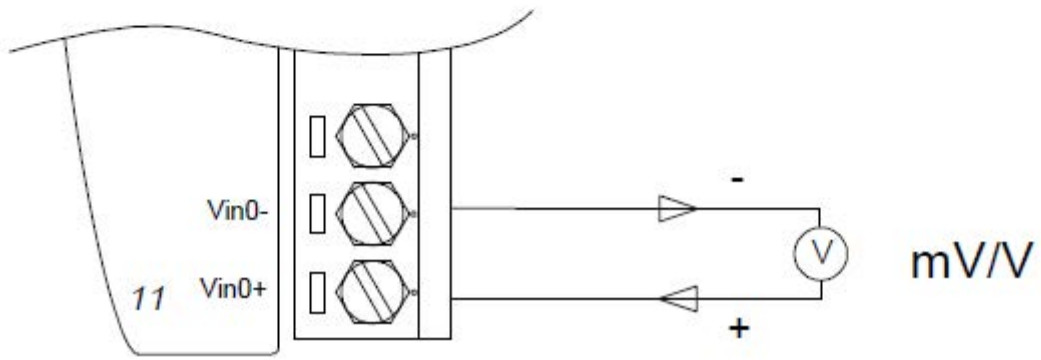


Figure 3.10 ADAM-4017-F Differential Input Wiring Diagram (Ch0 ~ Ch7)

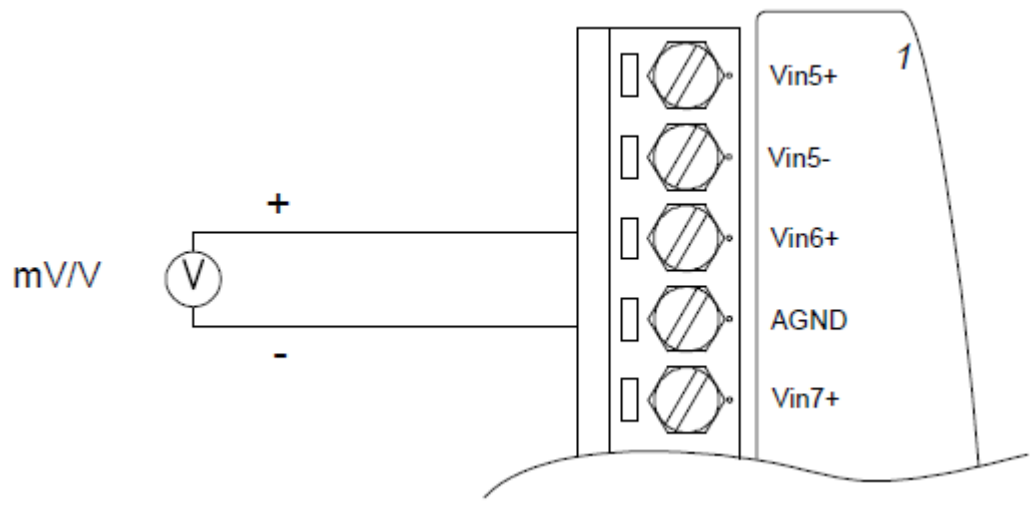
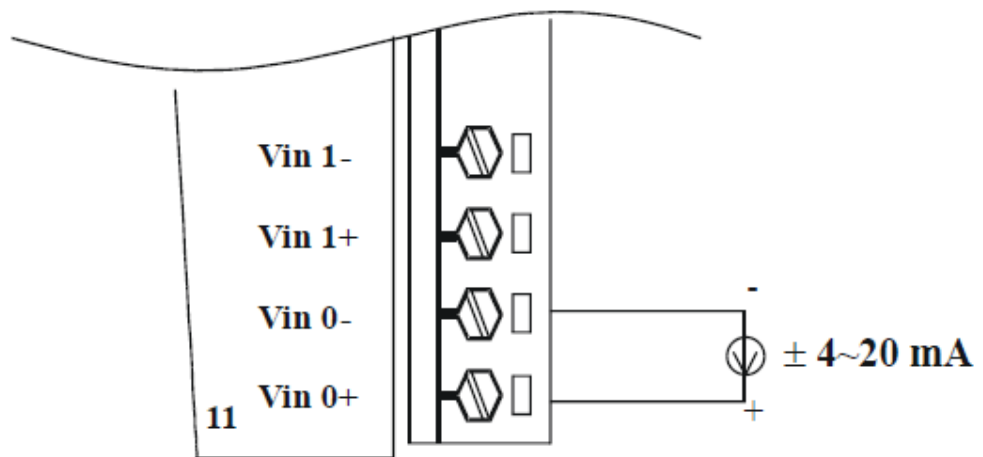
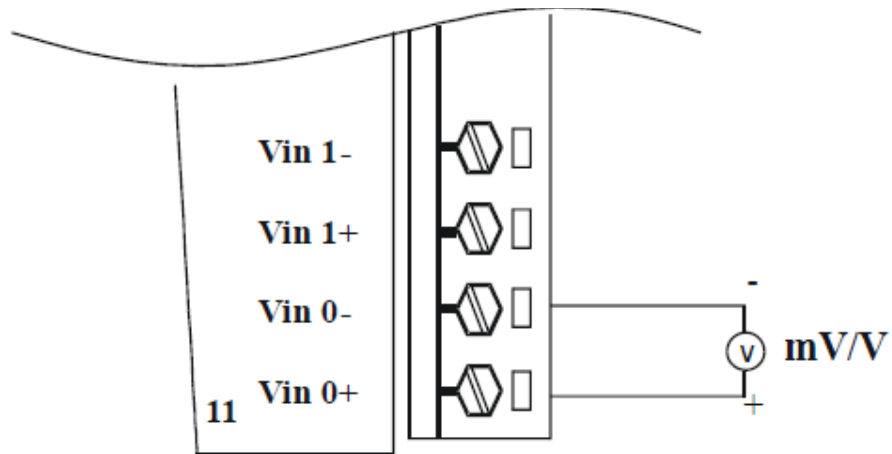


Figure 3.11 ADAM-4017-D2E Single-Ended Input Wiring Diagram (Ch6 and Ch7)



Built-in 125 Ohm Resister

Figure 3.12 ADAM-4017+ Voltage and Current Input Wiring Diagram

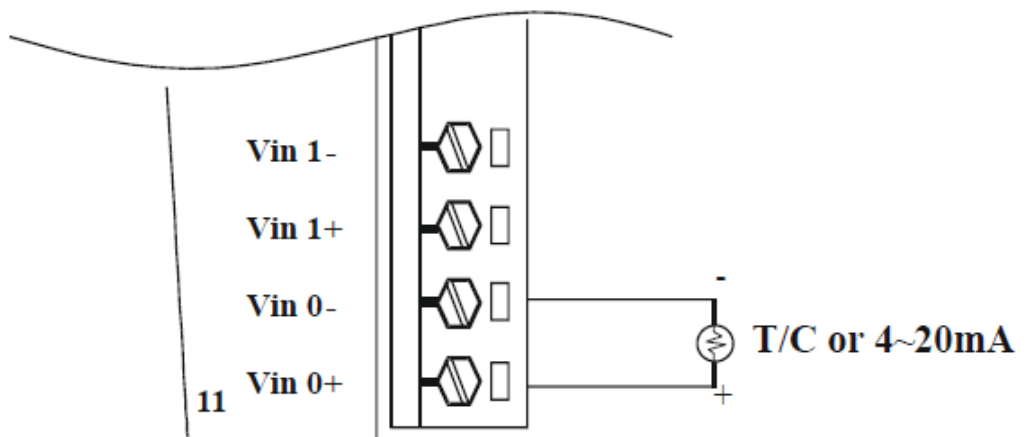


Figure 3.13 ADAM-4018+ Thermocouple Input Wiring Diagram

3.4 ADAM-4019+ 8-channel Universal Analog Input Module

The ADAM-4019+ is a universal analog input module to integrate various AI modules into one. It not only reduces the hardware cost, but also simplifies wiring complexity. Furthermore, the ADAM-4019+ provides the burnt-out detection functionality for 4~20mA and all thermocouple input.

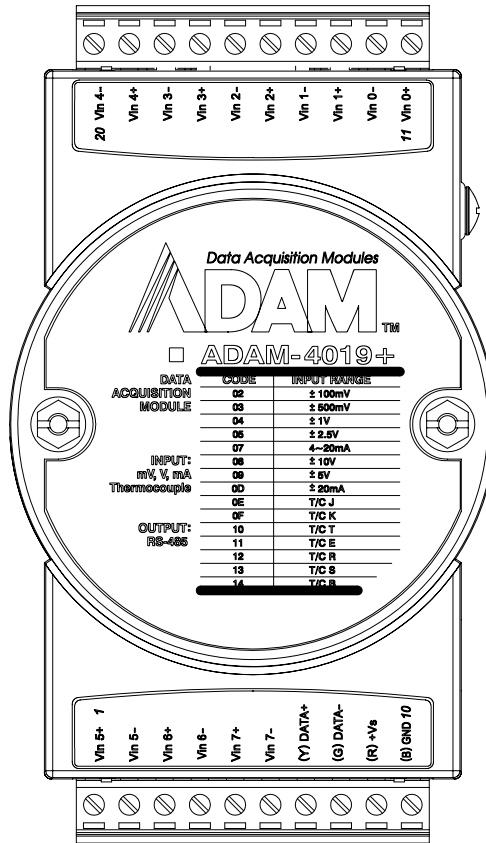


Figure 3.14 ADAM-4019+ 8-Channel Universal Analog Input

Jumper/Switch Settings (ADAM-4019+)

To simplify the jumper settings, for the ADAM-4019+ (F version), you can set whether the analog input type is voltage or current by adjusting the switch instead of opening the case.

Switch	SW1				SW2			
Analog input channel	CH0	CH1	CH2	CH3	CH4	CH5	CH6	CH7
Switch ON	Current input mode							
Switch OFF (default)	Voltage input mode							

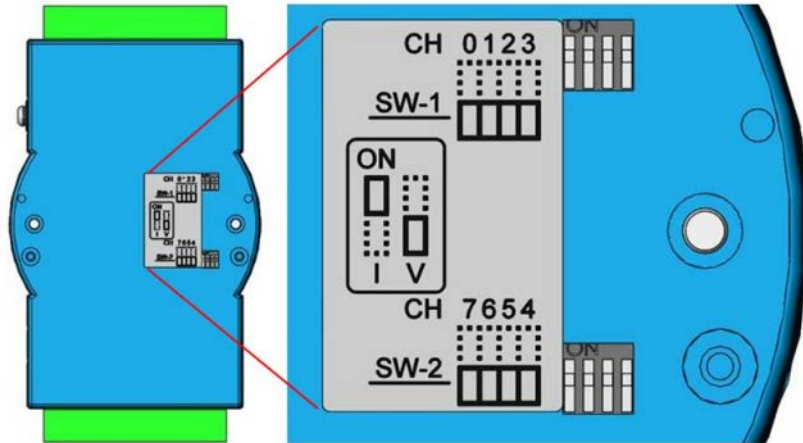


Figure 3.15 ADAM-4019+-F Switch Settings

The jumper setting of ADAM-4019+-AE for input type selection:

JP0~JP7		20mA Input Range						
		Voltage Input range						
Mapping to Channel	Ch.0	Ch.1	Ch.2	Ch.3	Ch.4	Ch.5	Ch.6	Ch.7
	JP 0	JP 1	JP 2	JP 3	JP 4	JP 5	JP 6	JP 7

Note: With built-in 120Ω resistor inside.

3.4.1 Application Wiring

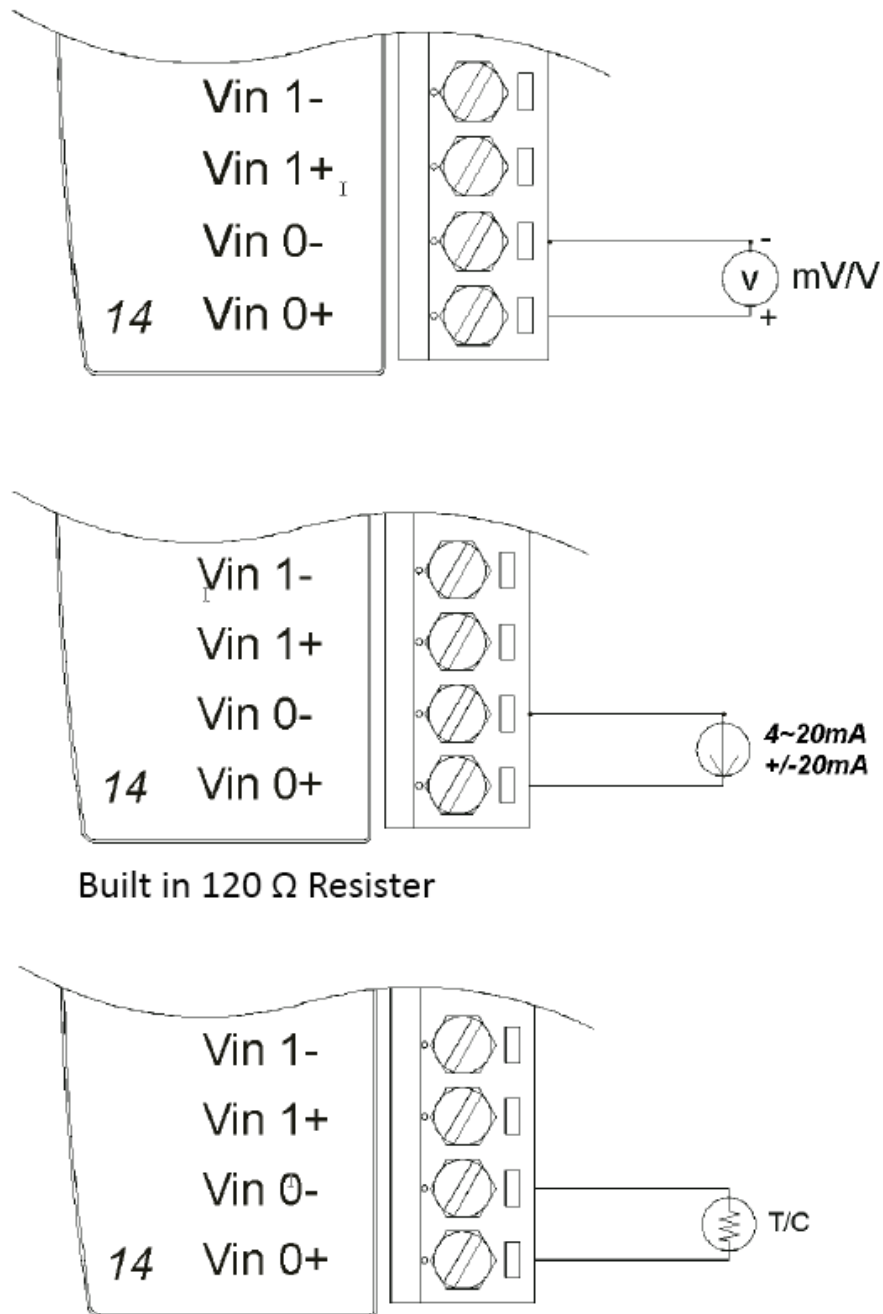


Figure 3.16 ADAM-4019+ Universal Analog Input Wiring Diagram

3.4.2 Technical Specifications of ADAM-4019+

Table 3.4: Technical Specifications of ADAM-4019+

Channel	8
Resolution	16 bits
Input Type	V, mV, mA, T/C
Input type and temperature range	V: ± 1 V, ± 2.5 V, ± 5 V, ± 10 V, 0 ~ 1 V*, 0 ~ 2.5 V*, 0 ~ 5 V*, 0 ~ 10 V* mV: ± 100 mV, ± 500 mV, 0 ~ 100 mV*, 0 ~ 500 mV* mA: ± 20 mA (with 120 Ω resistor) 4~20mA (with 120 Ω resistor) 0~20mA* (with 120 Ω resistor) Thermocouple: J 0 to 760°C K 0 to 1370°C T -100 to 400°C E 0 to 1000°C R 500 to 1750°C S 500 to 1750°C B 500 to 1800°C N* -200 to 1300°C
Isolation Voltage	3000 V _{DC}
Sampling Rate	10 samples/sec (total)
Input Impedance	Voltage: 20 M Ω , Current: 120 Ω
Accuracy	$\pm 0.1\%$ or better (Voltage) $\pm 0.2\%$ or better (Current)
Power Consumption	1.0W @ 24 V _{DC}
I/O Connector Type	10 pin plug-in terminal
Burn-out Detection	4~20mA and all thermocouple input

* New input range for ADAM-4019+-F

3.5 ADAM-4021 Analog Output Module

The analog output module receives its digital input through an RS-485 interface from the host computer. The format of the data is either to complement the hexadecimal format or percentage of full-scale range (FSR), depending on the module's configuration. It then uses its microprocessor-controlled D/A converter to convert the digital data into output signals.

You will get a true read-back of the analog output signal from the unit's ADC, which monitors the output independently. You can also specify slew rates and start up currents through the configuration software. The Analog Output Module can supply single-channel analog output in a range of voltages or currents.

Furthermore, it will protect your equipment from power surges at the ground terminal by providing opto-isolation of the D/A output and up to 3000 V_{DC} transformer based isolation.

Slew Rate

The slew rate is defined as the discrepancy between the present number of milliamps (or Volts) per second and the required output currents (or voltages). An ADAM analog output module may be configured for a specific slew rate.

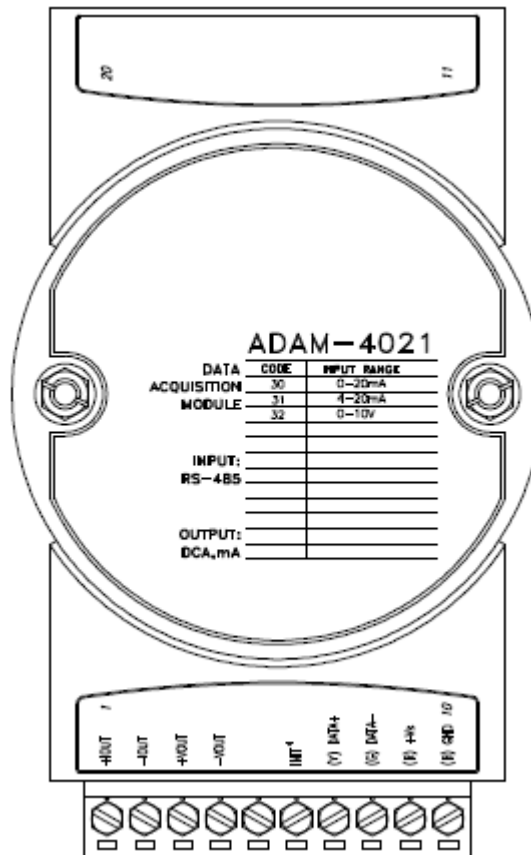


Figure 3.17 ADAM-4021 Analog Output Module

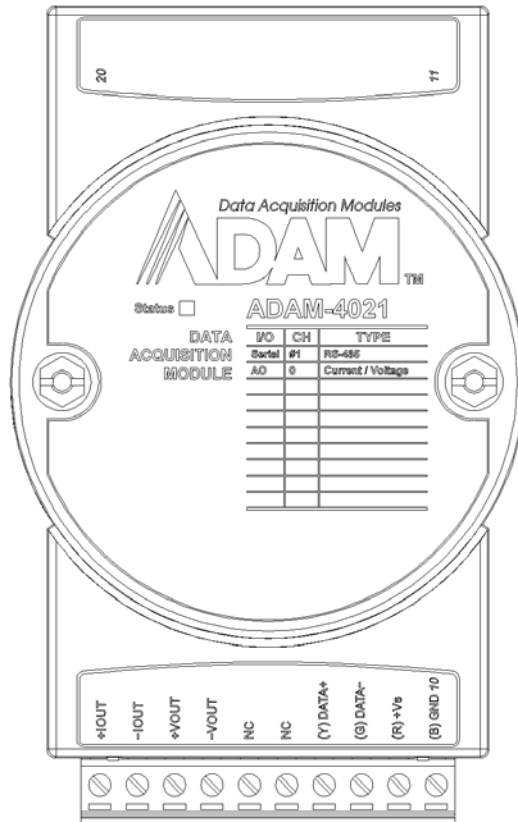


Figure 3.18 ADAM-4021-F Analog Output Module

Depending on its configuration settings, the module accepts the following formats from the host computer:

- Engineering units
- Percent of full-scale range (FSR)
- Two's complement hexadecimal format,

Output types:

- Voltage: 0 ~ 10 V
(Slew rate: 0.0625 to 64 V/sec)
- Currents: 0 ~ 20 mA, or 4 ~ 20 mA.
(Slew rate: 0.125 to 128 mA/sec)

3.5.1 Application Wiring

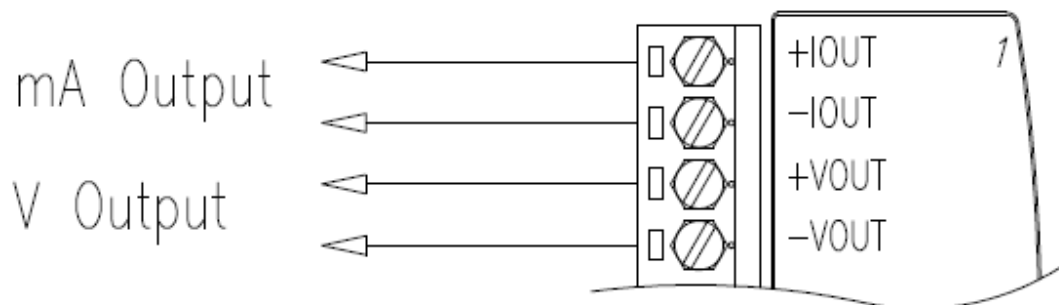


Figure 3.19 ADAM-4021 Analog Output Wiring Diagram

3.6 ADAM-4024 4-Channel Analog Output Module

ADAM-4024 is a 4-channel analog output module with mixed type I/O. Under some circumstances, it is, however, a demand for multiple analog outputs to fulfill particular applications without many duplicate modules. ADAM-4024 is designed to achieve this purpose by integrating four A/O channels and four isolated D/I channels into only one module. The four digital input channels function as an interlock for emergency latch output.

ADAM-4024 inherited from ADAM-4021, but provides multi-range AO support, allowing its four A/O channels to work at the same time with more and different output ranges. For example, it can have 4~20 mA and ± 10 V at its output. To ensure the operation of machines and facilities, ADAM-4024 has the functionality of slew rate control. Output slope is programmable through ramping/clamping the slew rate. Unlike a traditional mechanism, ADAM-4024 permits users to substitute its default value at startup. Users can easily set up and configure the module to be more adaptive.

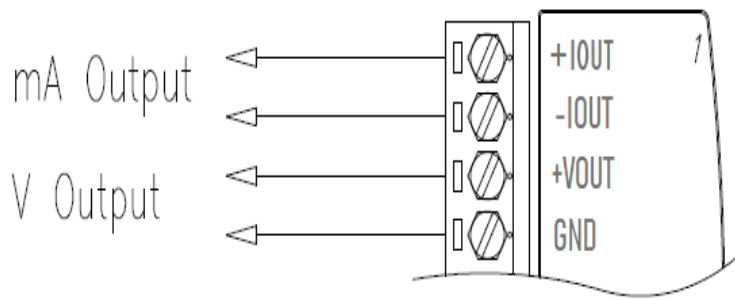


Figure 3.20 ADAM-4024 4-channel Analog Output Module

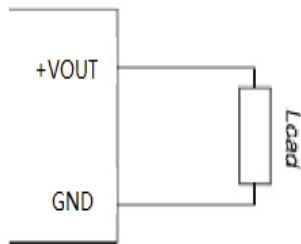
3.6.1 Technical Specifications of ADAM-4024

- Resolution: 12-bit
- Output Type: mA, V (Differential)
- Output Range: 0~20 mA, 4~20 mA, and $\pm 10V$
- Isolation Voltage: 3000 V_{DC}
- Output Impedance: 0.5 Ω
- Accuracy:
 - $\pm 0.1\%$ of FSR for current output
 - $\pm 0.2\%$ of FSR for voltage output
- Zero Drift:
 - Voltage output: $\pm 30 \mu V/^\circ C$
 - Current output: $\pm 0.2 \mu A/^\circ C$
- Span Temperature Coefficient: $\pm 25 \text{ ppm}/^\circ C$
- Output Slope Rate:
 - 0.125 ~ 128 mA/sec.
 - 0.0625 ~ 64 V/sec.
- Current Load Resistor: Max. 500 Ω
- Voltage Load Resistor: Min. K Ω
- Built-in Watchdog Timer
- Isolation Digital Input
 - Channel: 4
 - Level 0: +1V max
 - Level 1: +10~30 V_{DC}

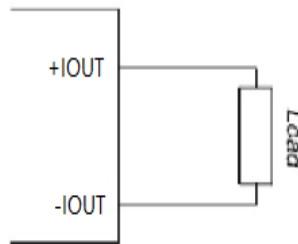
3.6.2 Application Wiring



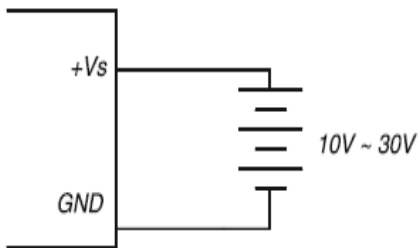
Voltage :



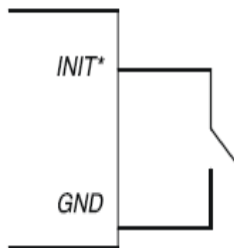
Current :



Power Supply :

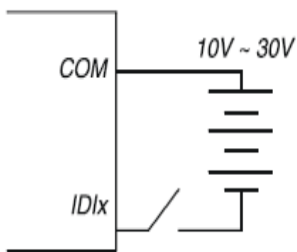


Initial :



Isolation Input :

Type I : Input Active Low



Type II : Input Active High

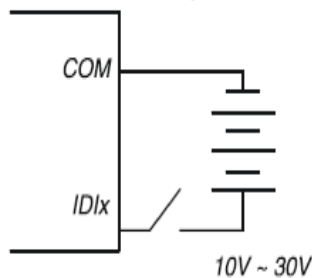


Figure 3.21 ADAM-4024 Pin Define and Wiring Diagram

3.7 ADAM-4050 Digital I/O Module

The ADAM-4050 features seven or eight input and eight digital output channels. The outputs are open-collector transistor switches that you can control from the host computer. You can also use the switches to control solid-state relays, which can be applied to equipment such as heaters and pumps. The host computer can use the module's digital inputs to determine the states of limit, safety switches, and remote digital signals.

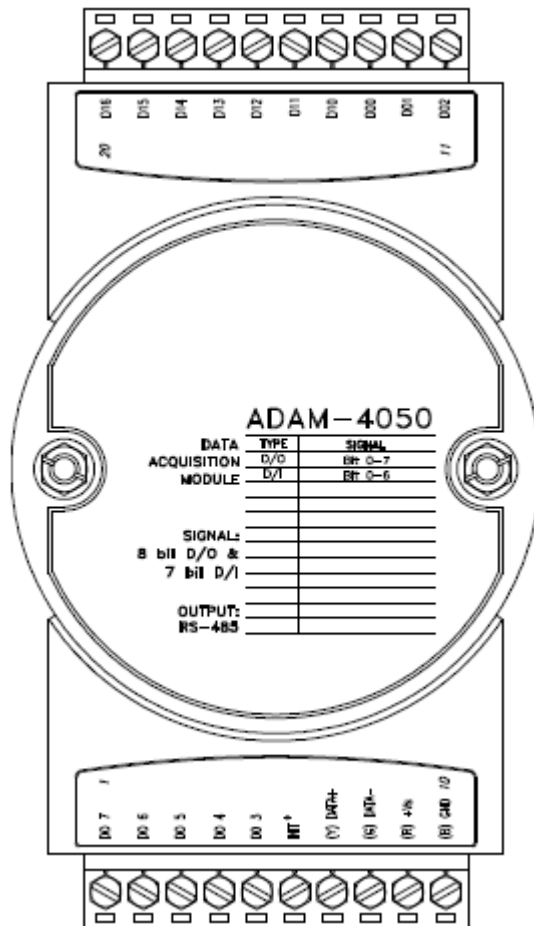


Figure 3.22 ADAM-4050 Digital I/O Module

3.7.1 Application Wiring

ADAM-4050-F ITN+ pin changes to DI7

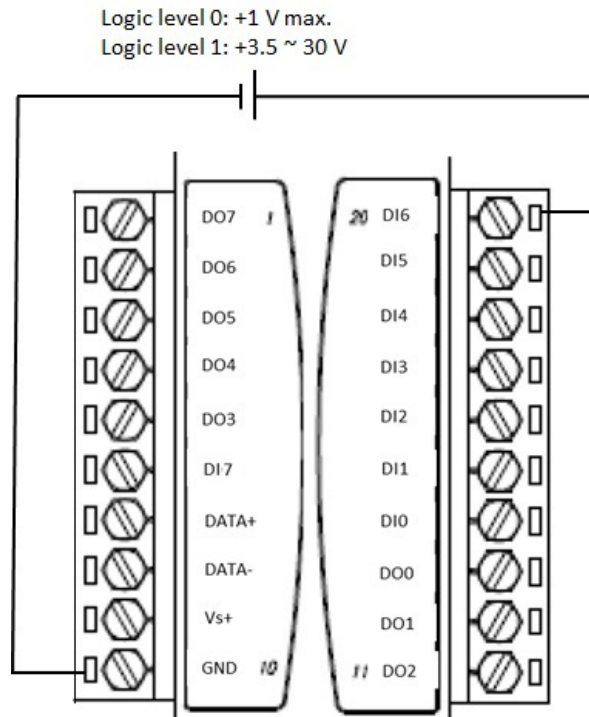


Figure 3.24 ADAM-4050 Wet Contact Wiring Diagram

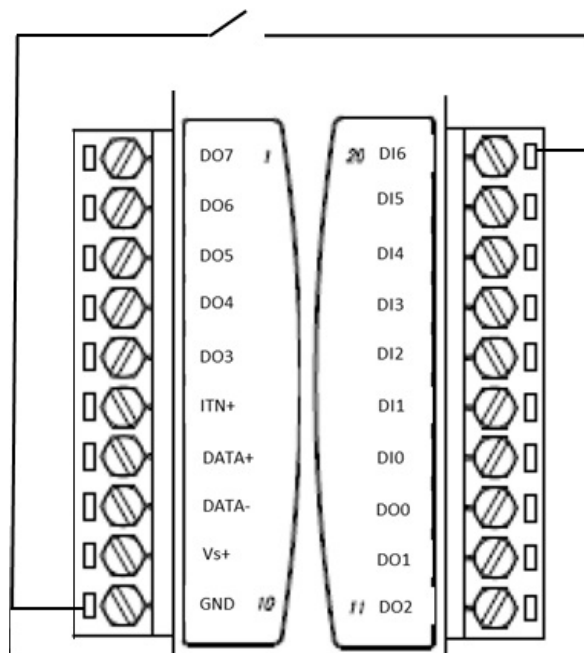
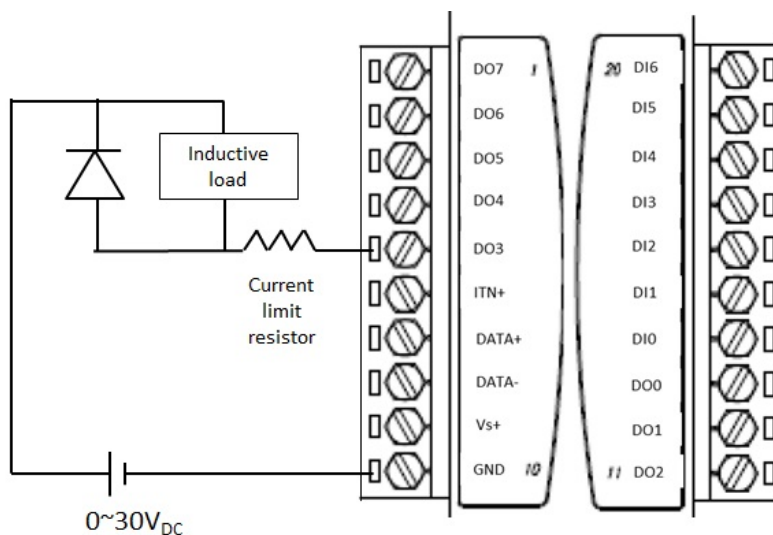


Figure 3.25 ADAM-4050 Dry Contact Wiring Diagram



Inductive load such as relay that uses coil to produce magnetic field

Figure 3.26 ADAM-4050 Digital Output Wiring Used with Inductive Load

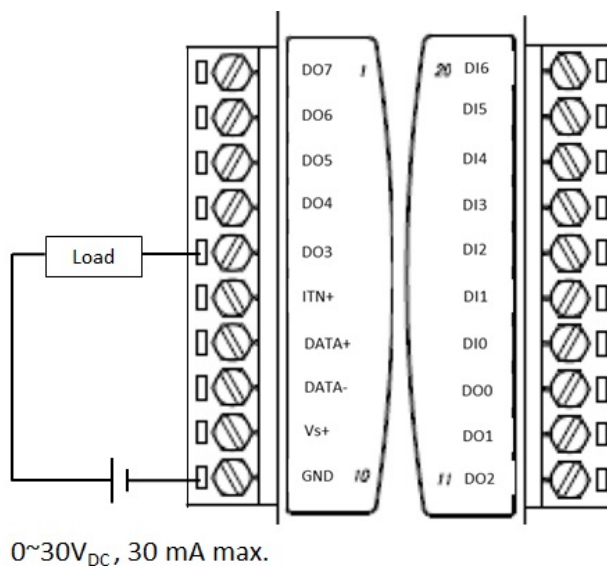


Figure 3.27 ADAM-4050 Digital Output Wiring

3.8 ADAM-4051 16-Channel Isolated Digital Input Module

The ADAM-4051 is a 16-channel Digital Input Module. It is built with 2500 V_{DC} optical isolation, and it is suitable for critical applications. The main difference from other modules is that ADAM-4051 accepts 10 ~ 50V input voltage to fit various digital signals like 12 V, 24 V, and 48 V. Moreover, users can read the current status from the LED indicators on the front panel.

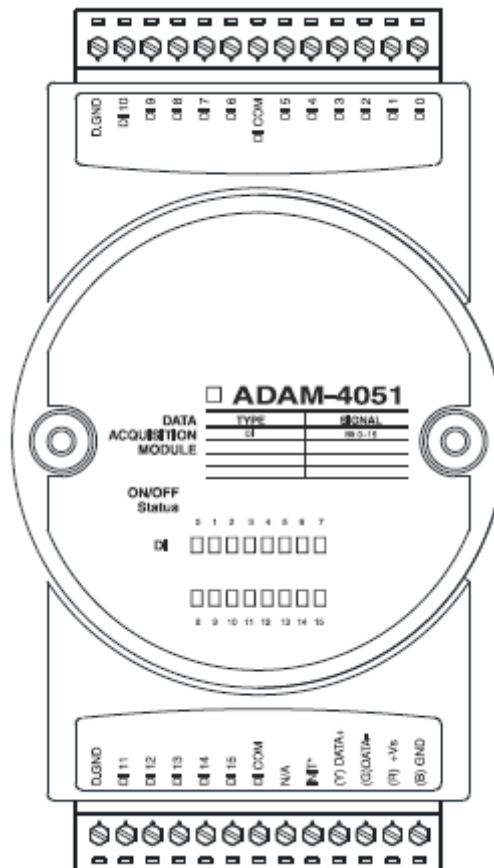


Figure 3.28 ADAM-4051 16-Channel Isolated Digital Input Module

- Channel: 16
- Optical Isolation: 2500 V_{DC}
- Opto-isolator response time: 25 μs
- Over-voltage Protect: 70 V_{DC}
- ESD (Electro Static Discharge): 2000 V_{DC}
- LED Indicator: On: Active; Off: Non-active
- Input Voltage:
 - Dry Contact Logic level 1: close to GND, Logic level 0: open
 - Wet Contact Logic level 1: 10 ~ 50 V, Logic level 0: 3 V
- Power consumption:
 - Typical: 0.7 W @ 24 V_{DC}
 - Max.: 1.25 W @ 24 V_{DC}
- I/O Connector Type: 13-pin plug-in terminal*2

3.8.1 Application Wiring

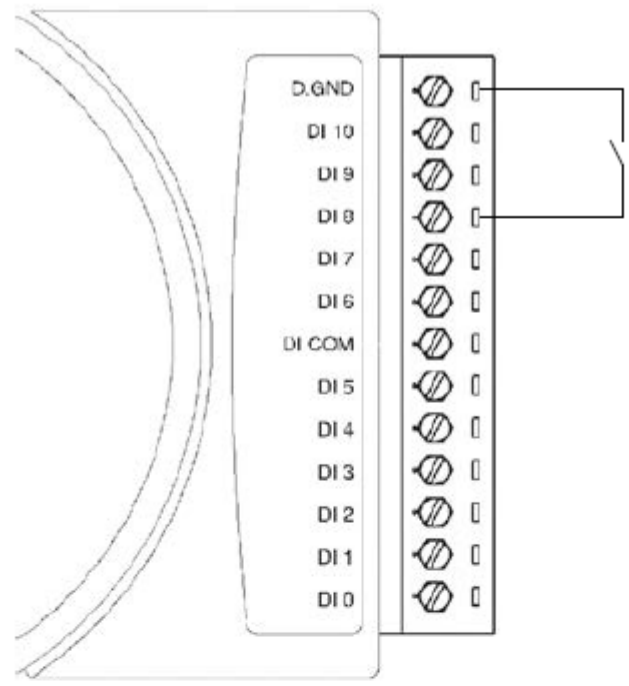


Figure 3.29 ADAM-4051 Dry Contact Wiring Diagram

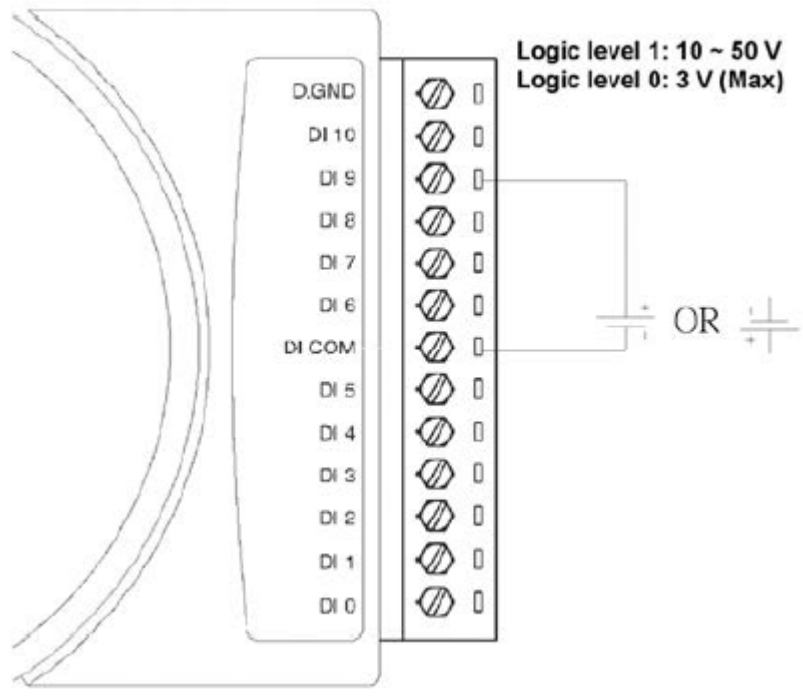


Figure 3.30 ADAM-4051 Wet Contact Wiring Diagram

3.9 ADAM-4052 Isolated Digital Input Module

The ADAM-4052 provides eight digital input channels. Among these eight channels, six of them are fully independent isolated channels and the other two are isolated channels with a common ground. They all have 5000 V_{RMS} isolation to prevent power surges from the input lines.

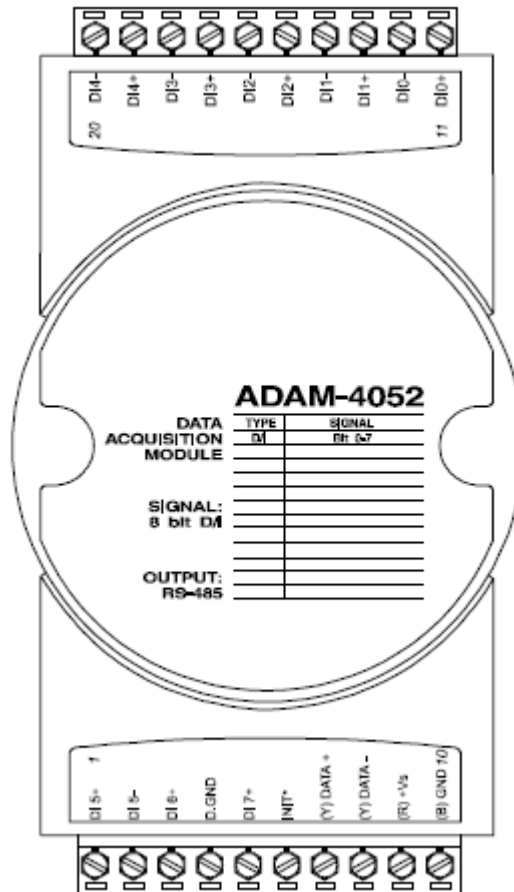


Figure 3.31 ADAM-4052 Isolated Digital Input Module

Channels: 8

- 6 differential channels (fully independent isolated channels)
- 2 single-ended channels (isolated channels with common ground)

Digital Input:

- Logic level 0: +1 V max.
- Logic level 1: +3 ~ 30 V

3.9.1 Application Wiring

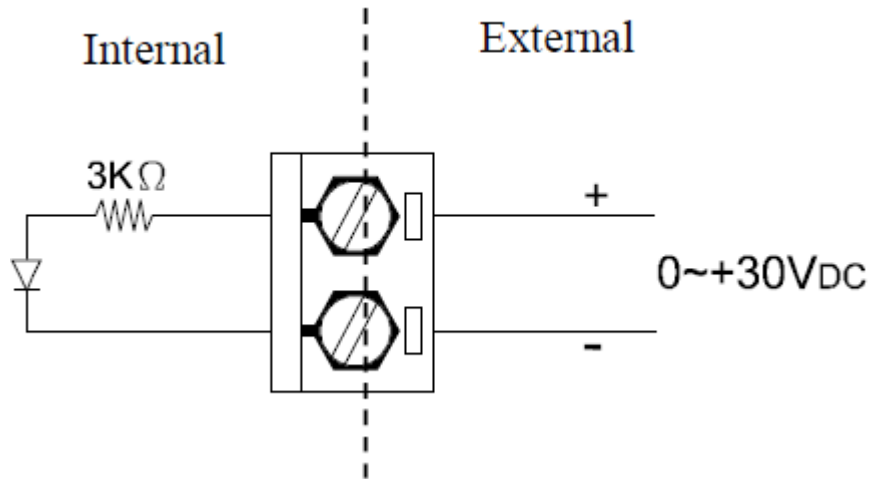


Figure 3.32 ADAM-4052 Isolation Digital Input Wiring Ground

3.10 ADAM-4053 16-Channel Digital Input Module

The ADAM-4053 provides 16 digital input channels for dry contact or wet contact signals. For dry contact, the effective distance from DI to contact point is up to 500 m.

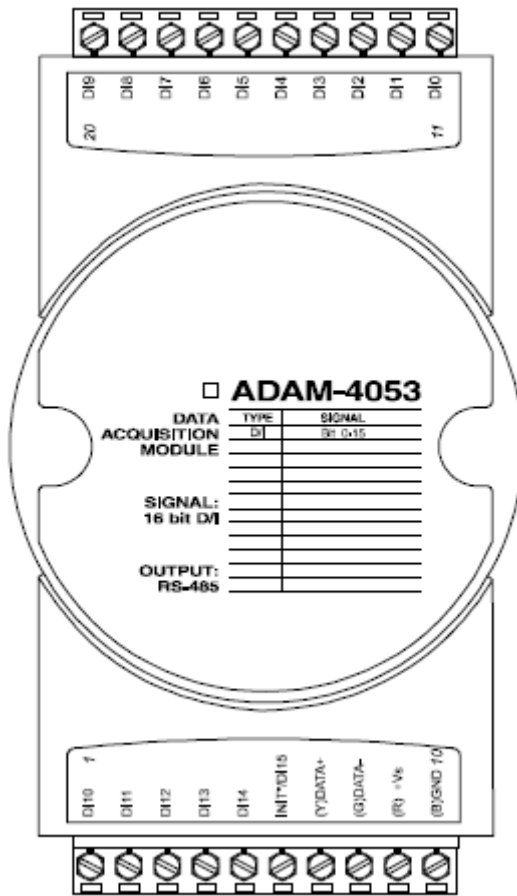
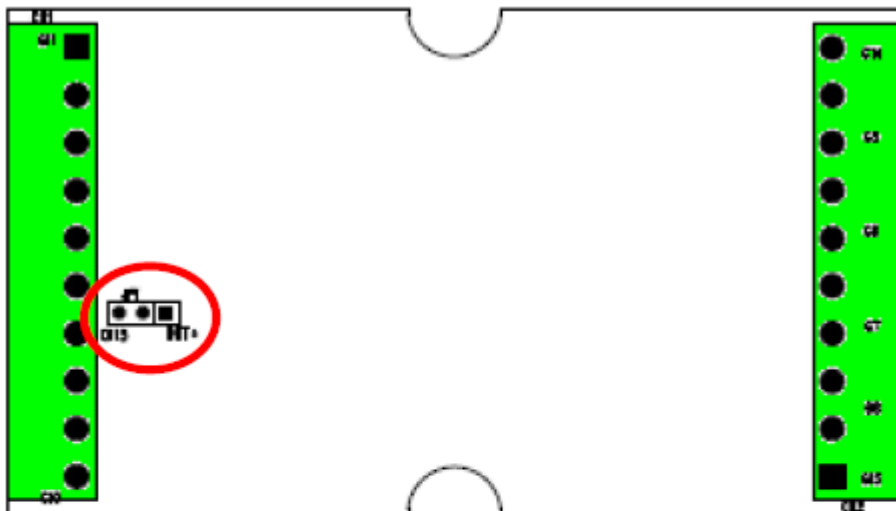


Figure 3.33 ADAM-4053 16-channel Digital Input Module



Jumper Setting:



DI15 INIT*

DI15



DI15 INIT*

INIT*

3.10.1 Application Wiring

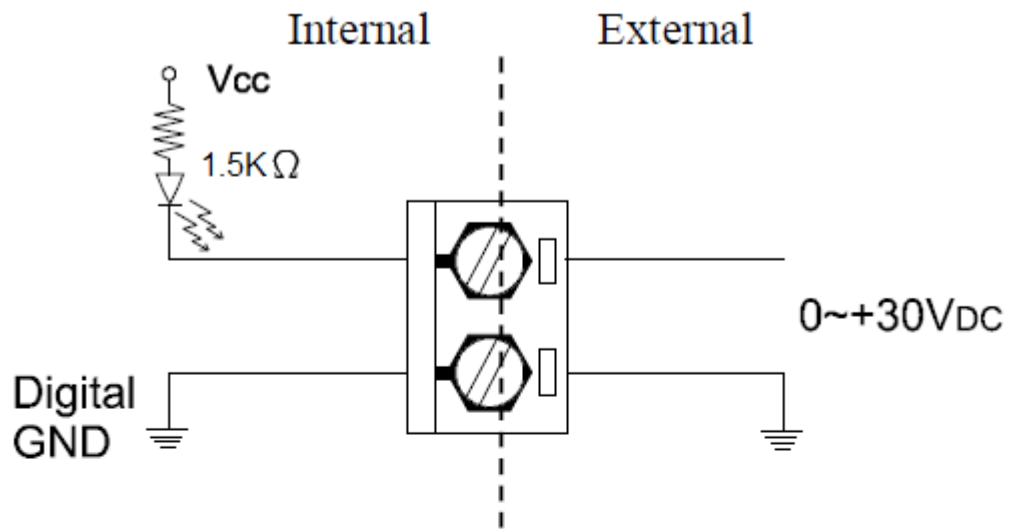


Figure 3.35 ADAM-4053 Wet Contact Input Wiring Diagram

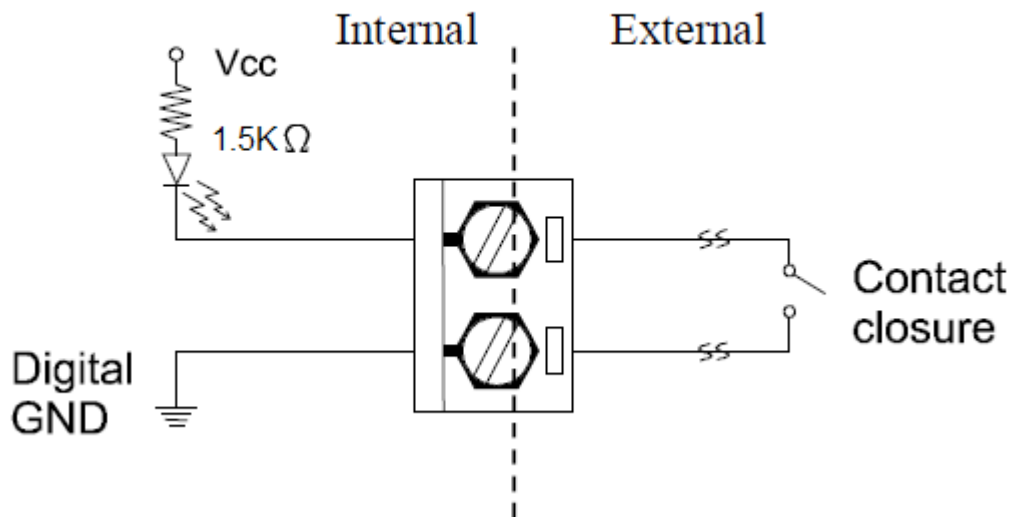


Figure 3.36 ADAM-4053 Contact Closure Input Wiring Diagram

3.11 ADAM-4055 16-Channel Isolated Digital I/O Module

The ADAM-4055 offers 8-channel isolated digital input and 8-channel isolated digital output for critical applications. The inputs accept 10~50 V voltage, and the outputs can supply 5~40 V_{DC} at the open collector. The ADAM-4055 is user-friendly with a built-in LED indicator for status.

Notice: We have updated the digital input dry/wet contact option by using jumper selection. The default setting is to support these two DI contacts both at the same time. However, a customer can also choose his or her needs by supporting only one. Please refer to the following wiring illustration figure 3-53 for more details.

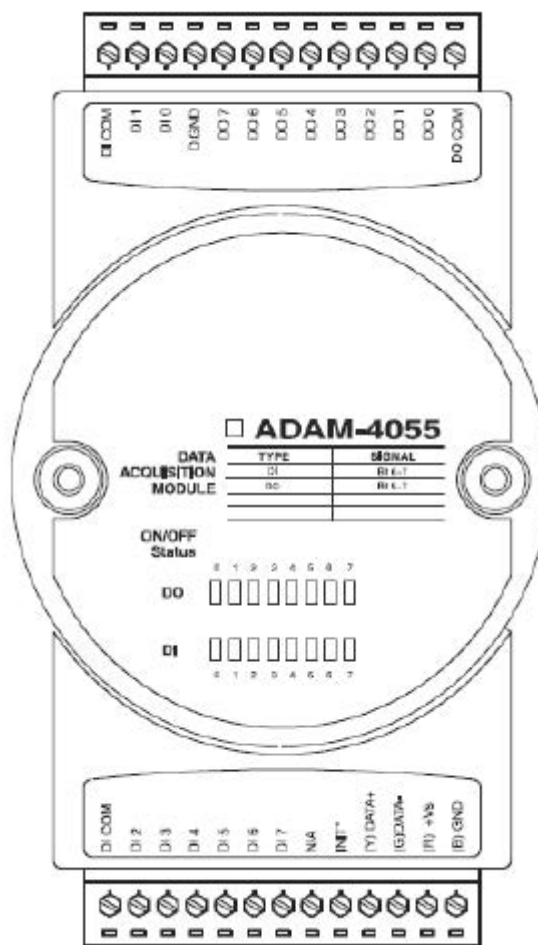


Figure 3.37 ADAM-4055 16-Channel Digital I/O Module

3.11.1 Application Wiring:

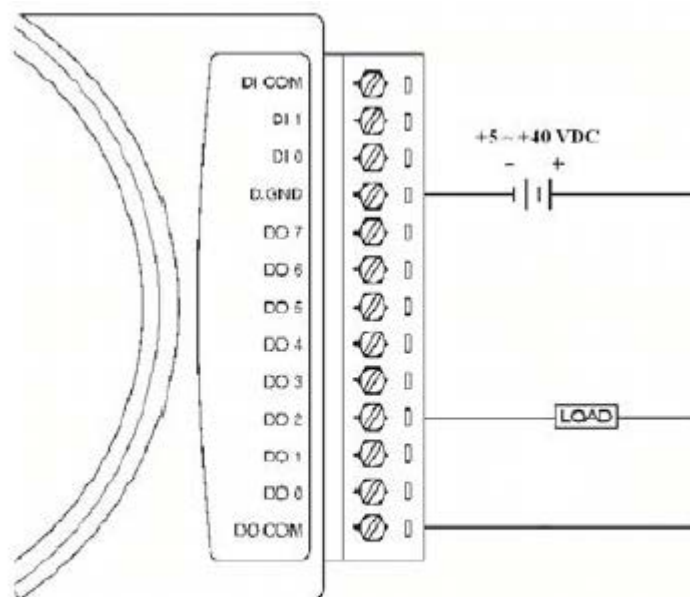


Figure 3.38 ADAM-4055 Digital Output Wiring Diagram

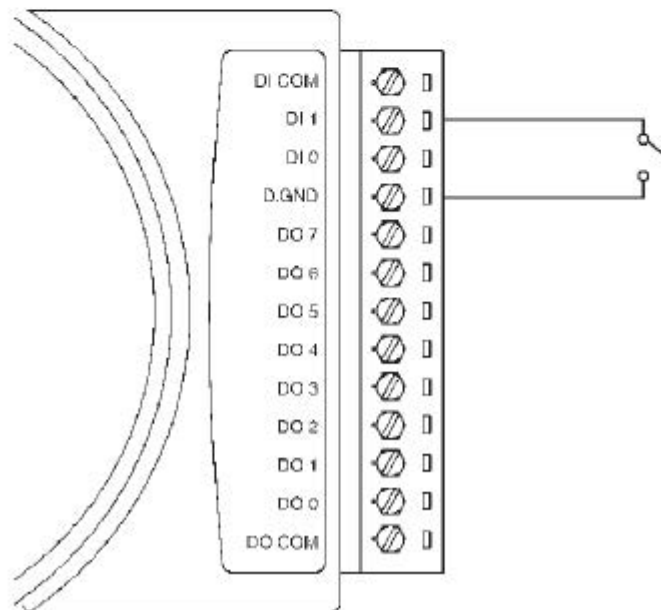


Figure 3.39 ADAM-4055 Digital Input Dry Contact Wiring Diagram

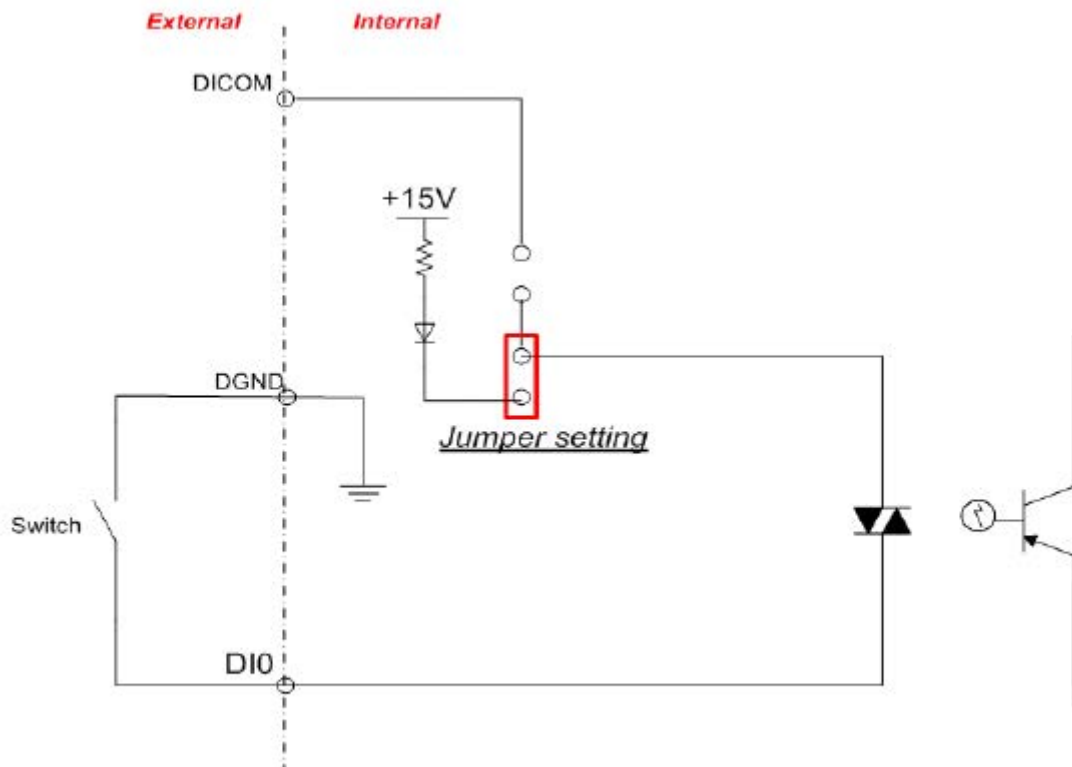


Figure 3.40 ADAM-4055 Digital Input Dry Contact Diagram (Internal)

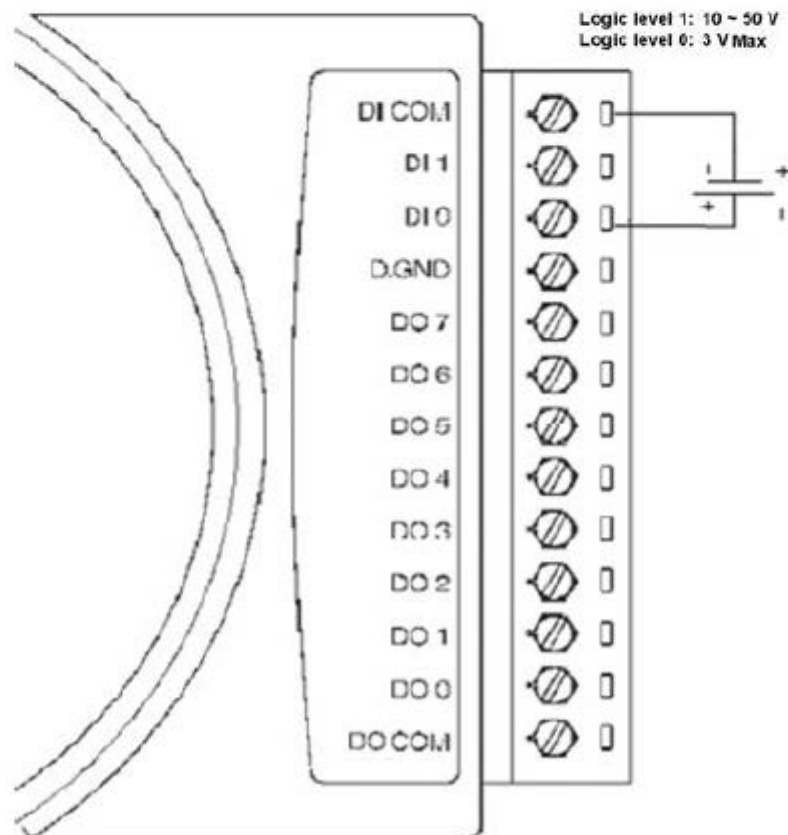


Figure 3.41 ADAM-4055 Digital Input Wet Contact Wiring Diagram

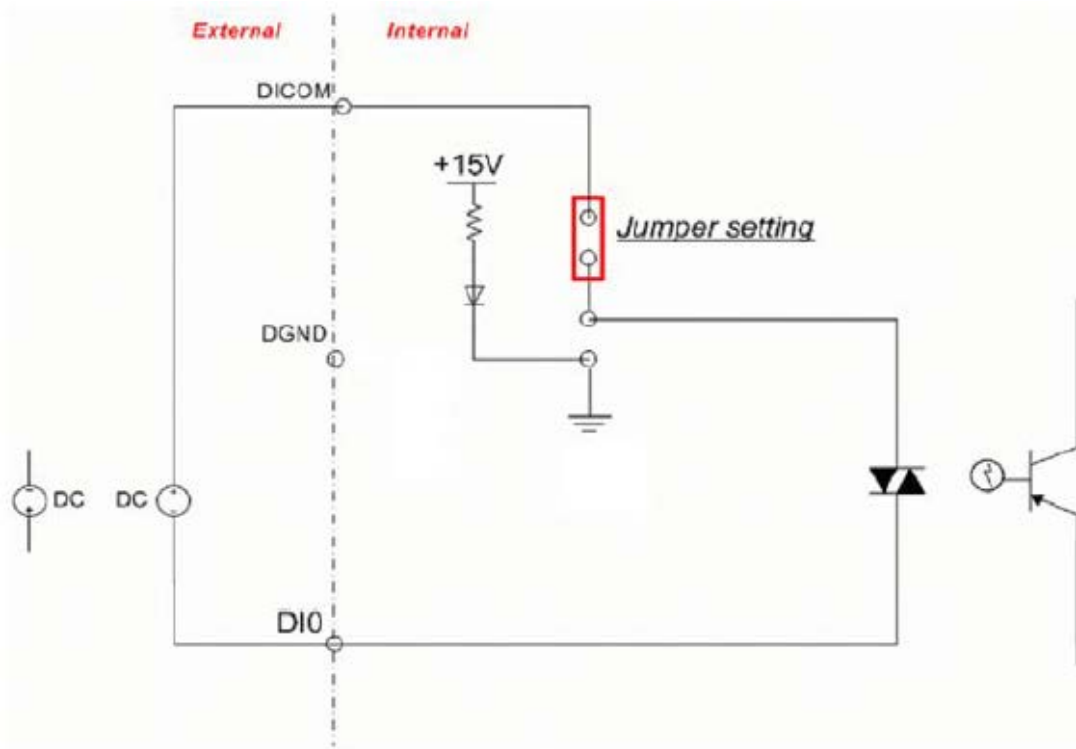


Figure 3.42 ADAM-4055 Digital Input Wet Contact Diagram (Internal)

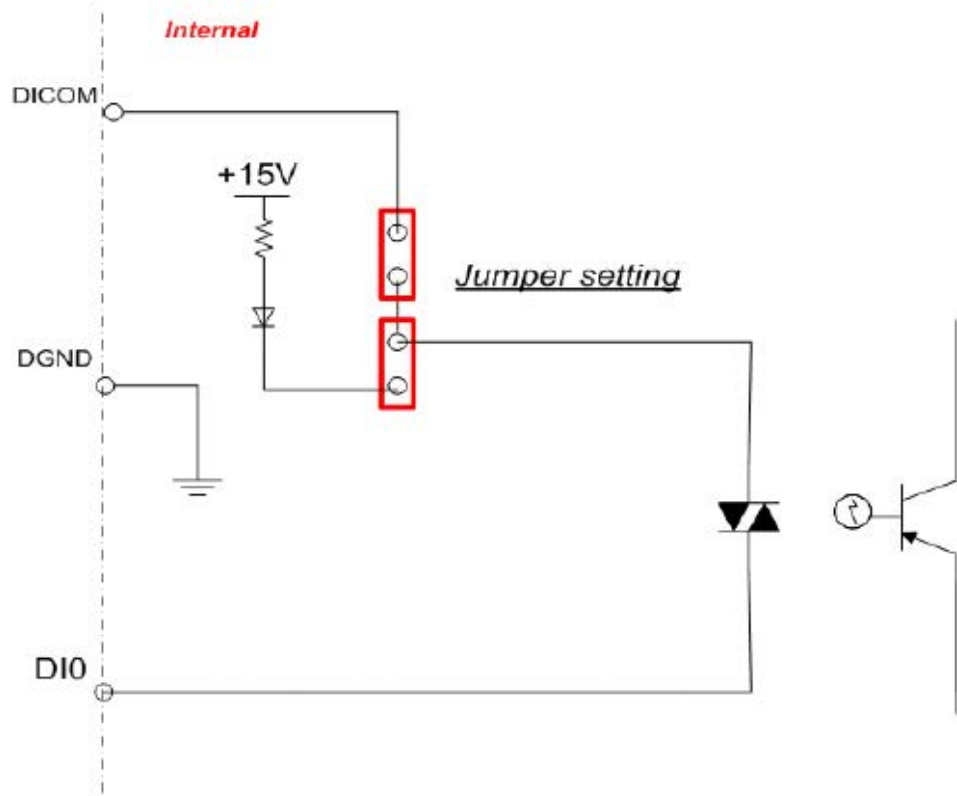
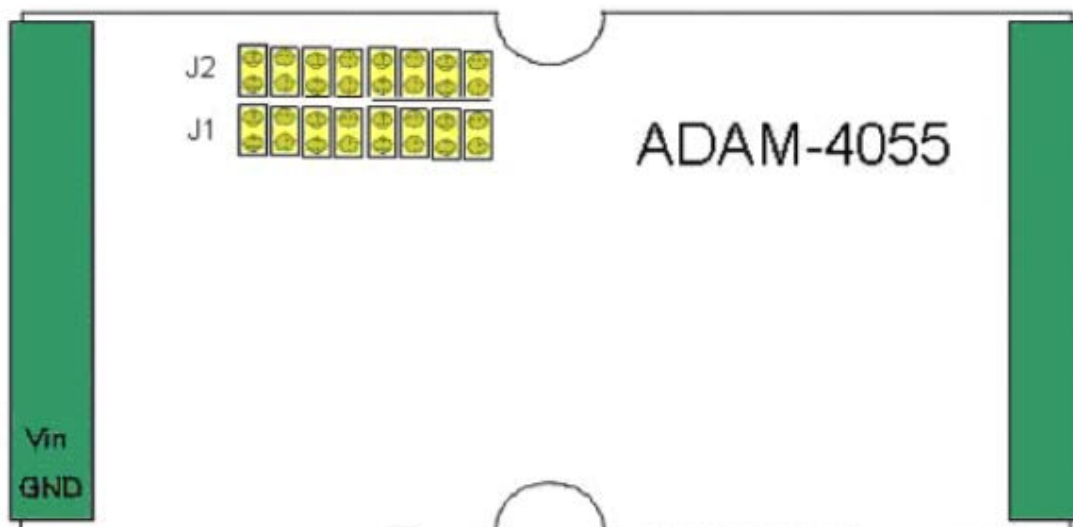


Figure 3.43 ADAM-4055 Default Jumper Setting for the Digital Input Wiring
(Supports dry and wet contact digital inputs at the same time)



- Notice: 1. J1 setting is for digital input Dry contact
2. J2 setting is for digital input Wet contact
3. J1 & J2 of the default setting are closed individually to support dry and wet contact at the same time

Figure 3.44 ADAM-4055 Default Jumper Setting for the Digital Input Wiring

3.12 ADAM-4056S 12-Channel Sink Type Isolated Digital Output Module

ADAM-4056S is a 12-channel sink type isolated digital output module. The isolated channels are designed for digital output for critical applications. Open collector outputs can provide from +5 to +40 V_{DC}, and both ADAM ASCII and Modbus/RTU protocols are supported. LED indicators are used for status reading.

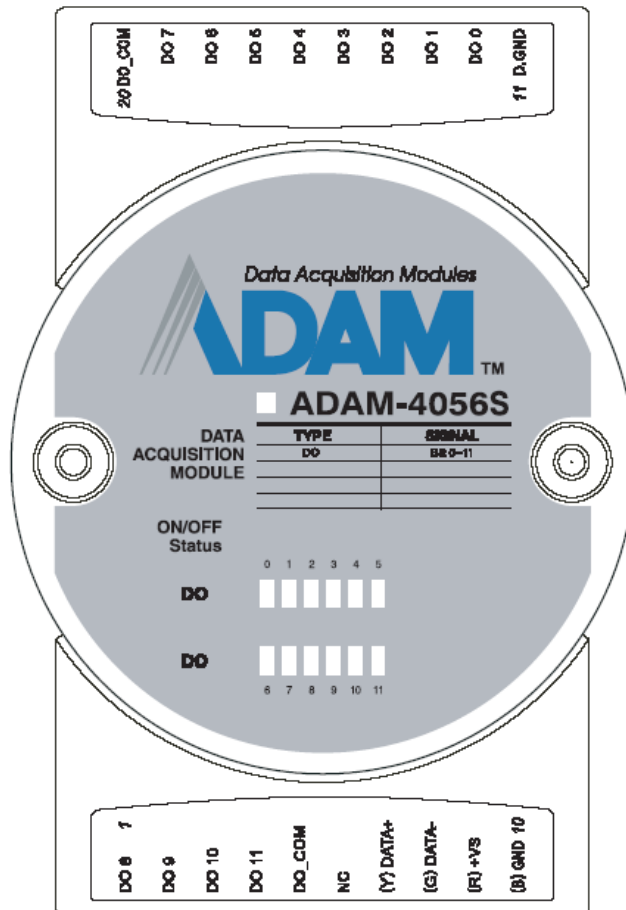


Figure 3.45 ADAM-4056S 12-Channel Sink Type Isolated Digital Output Module

3.12.1 Technical Specifications of ADAM-4056S

- Number of Output Channels: 12
- Digital Output:
Open Collector from +5 ~ +40V, 200mA max. load (Sink)
- LED Indicator: On: Active, Off: Non-active
- Power Consumption: 1 W @ 24 V_{DC}
- Optical isolation: 5000 V_{DC}
- Supports Modbus/RTU protocol
- I/O Connector Type: 10-pin plug-in terminal*2
- Supports Safety Value:
Force the DO channels to safety status when communication is in time-out and over a pre-defined period.

3.12.2 Application Wiring

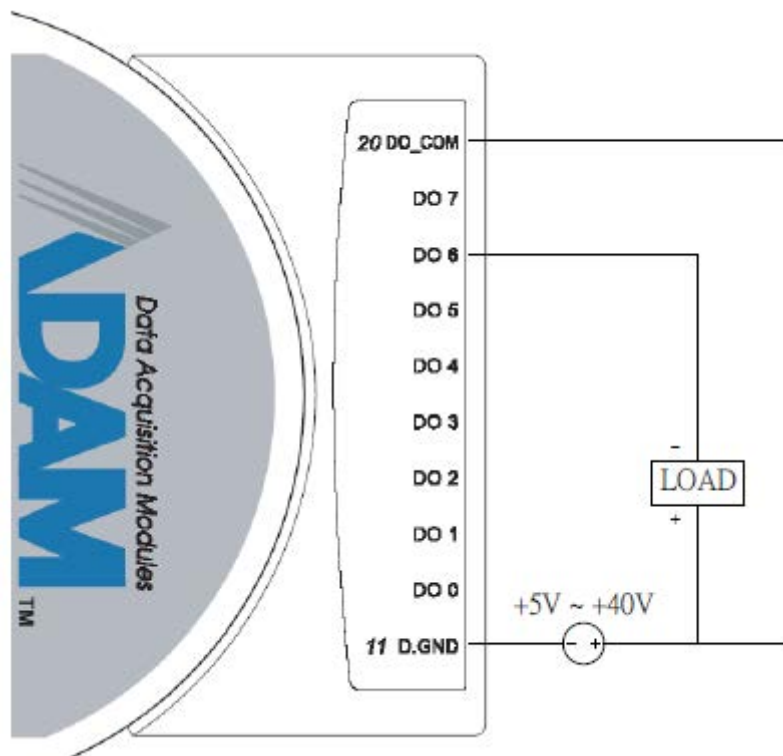


Figure 3.46 ADAM-4056S Digital Output Wiring Diagram

3.13 ADAM-4056SO 12-Channel Source Type Isolated Digital Output Module

ADAM-4056SO is a 12-channel source type isolated digital output module. The 12 isolated digital output channels are designed for critical applications. The digital output signals are sent in the range of 10 ~ 35 V_{DC} with maximum 1A per channel, and both ADAM ASCII and Modbus/RTU protocols are supported. The LED indicators provide status reading of the module.

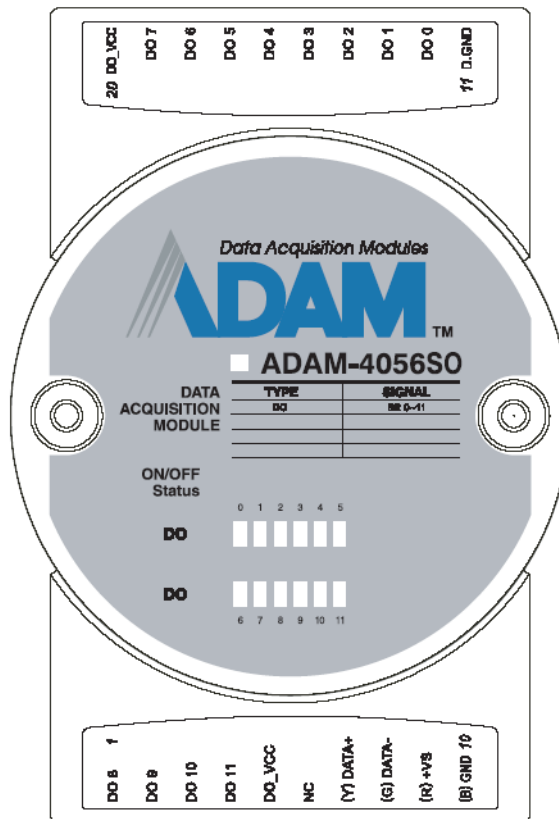


Figure 3.47 ADAM-4056SO 12-Channel Source Type Isolated Digital Output Module

3.13.1 Technical Specifications of ADAM-4056SO

- Number of Output Channel: 12
- Digital Output: VCC: +10 ~ 35 V_{DC}, 1A per Channel (Source)
- LED Indicator: On: Active, Off: Non-active
- Power Consumption:
 - Typical: 0.3 W @ 24 V_{DC}
 - Max.: 0.5 W @ 24 V_{DC}
- Optical isolation: 5000 V_{DC}
- Supports Modbus/RTU protocol
- I/O Connector Type: 10 pin plug-in terminal*2
- Leakage current: 50μA
- Support Safety Value:
 - Force the DO channels to safety status when communication is in time-out and over a pre-defined period.

3.13.2 Application Wiring

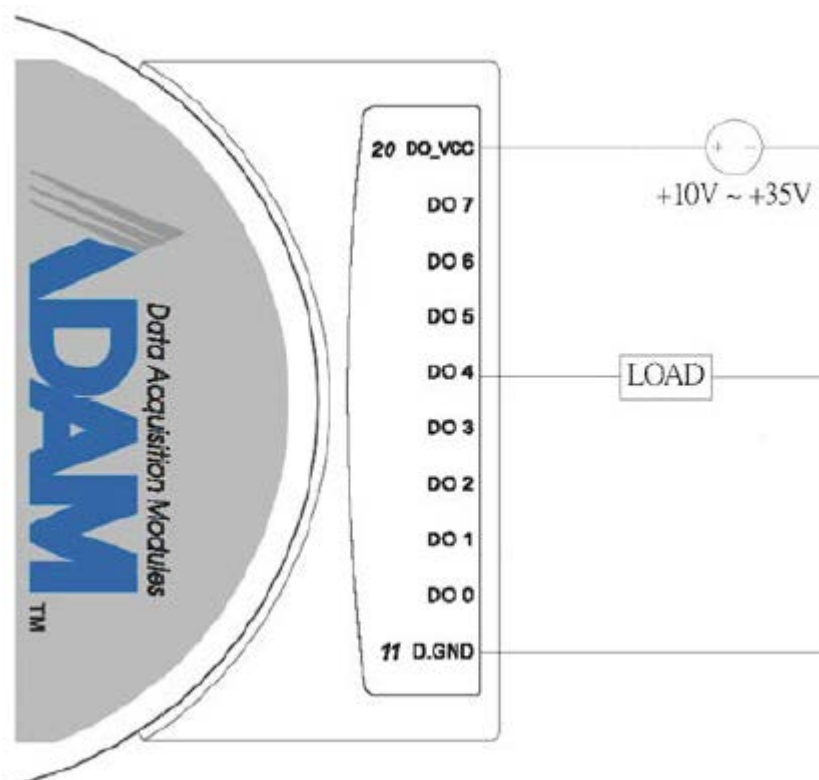


Figure 3.48 ADAM-4056SO Digital Output Wiring Diagram

3.14 ADAM-4060/4068 Relay Output Module

The ADAM Relay Output Module is a low-cost alternative to SSR modules. The ADAM-4060 Relay Output Module provides four relay channels; two of them are Form A, and two are Form C. The ADAM-4068 Relay Output Module provides eight channels. Four of the channels are Form A, and four are Form C. These two modules are excellent for ON/OFF control or low-power switching applications and they are able to support the safety value setting.

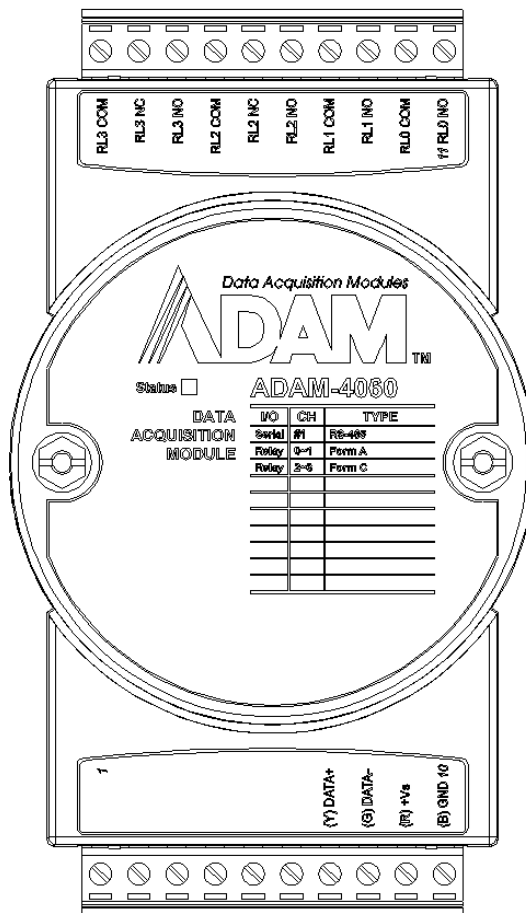


Figure 3.50 ADAM-4060F 4-Channel Relay Output Module

Contact rating for Form A and Form C: (Resistive)

AC	0.6 A @ 125 V
	0.3 A @ 250 V
DC	2 A @ 30 V
	0.6 A @ 110 V

3.14.2 ADAM-4068 8-Channel Relay Output Module

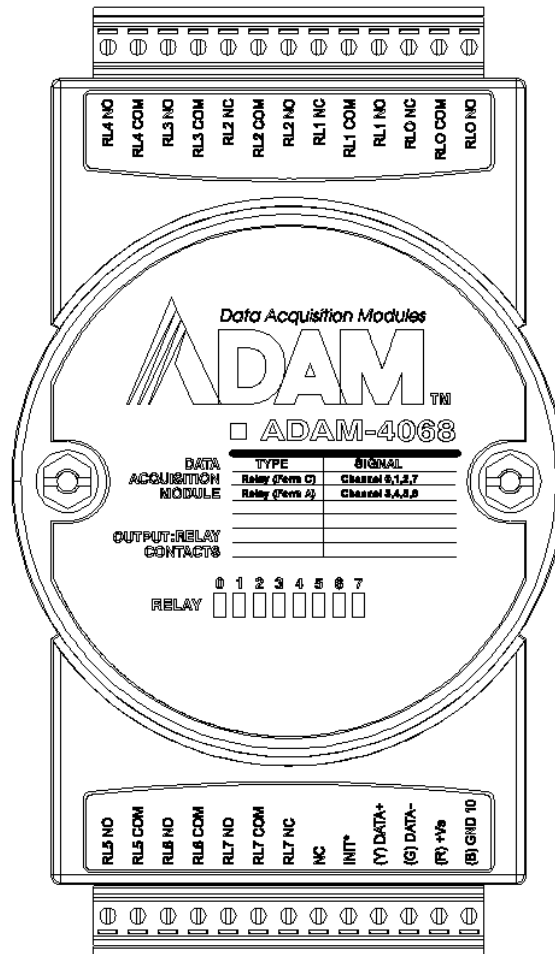


Figure 3.51 ADAM-4068 8-Channel Relay Output Module

Contact Rating for Form A and Form C: (Resistive)

AC	0.5 A @120 V
	0.25 A @240 V
DC	1 A @ 30 V
	0.3 A @ 110 V

Note! *This electric current is under the load of resistance. If you try to use the load of inductance, the electric current will be less than the above-mentioned value.*



3.14.3 Application Wiring

The following diagrams are examples of how to connect Form A and Form C relay output applications to your ADAM modules.

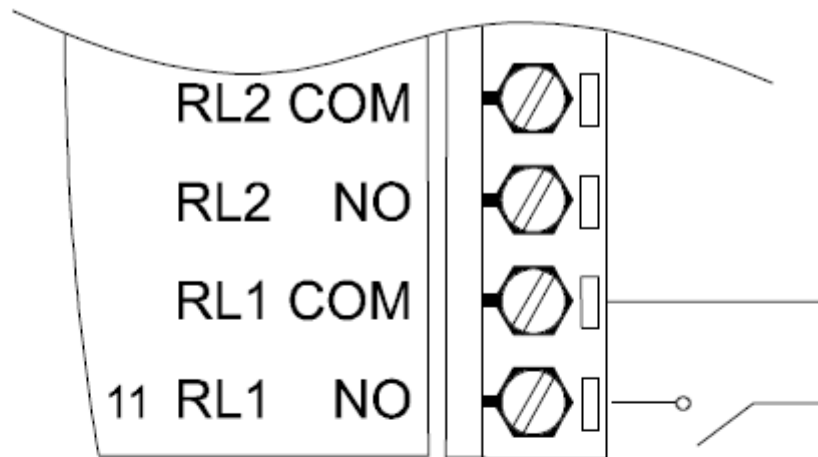


Figure 3.52 ADAM-4060 Form A Relay Output Wiring Diagram

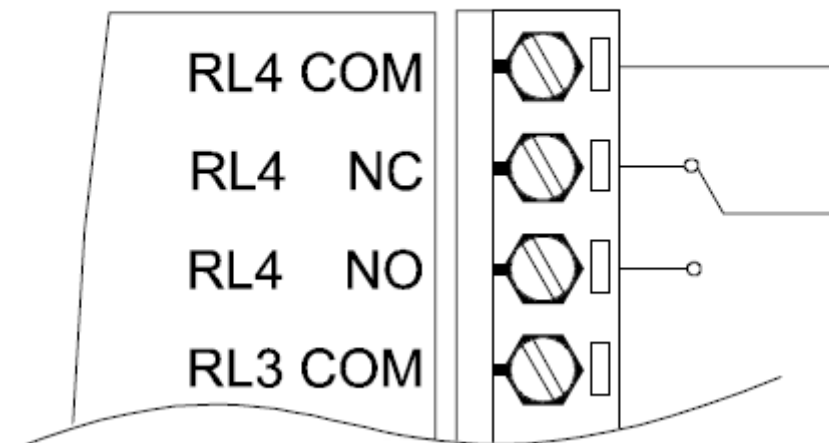


Figure 3.53 ADAM-4060 Form C Relay Output Wiring Diagram

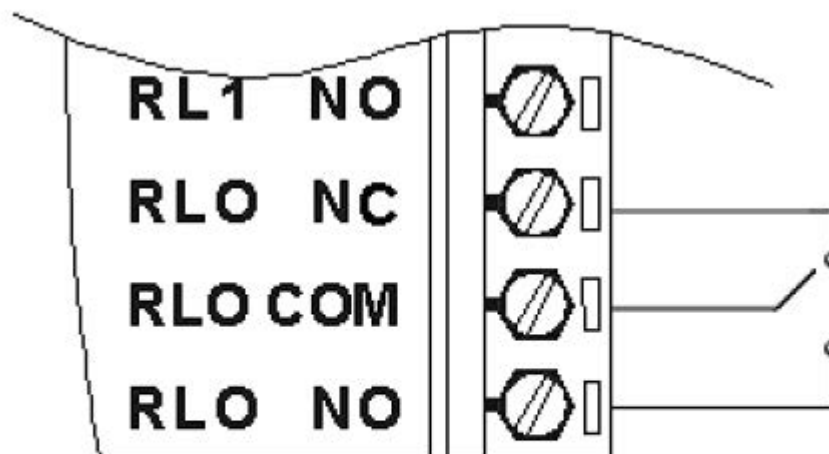


Figure 3.54 ADAM-4068 Form C Relay Output Wiring Diagram

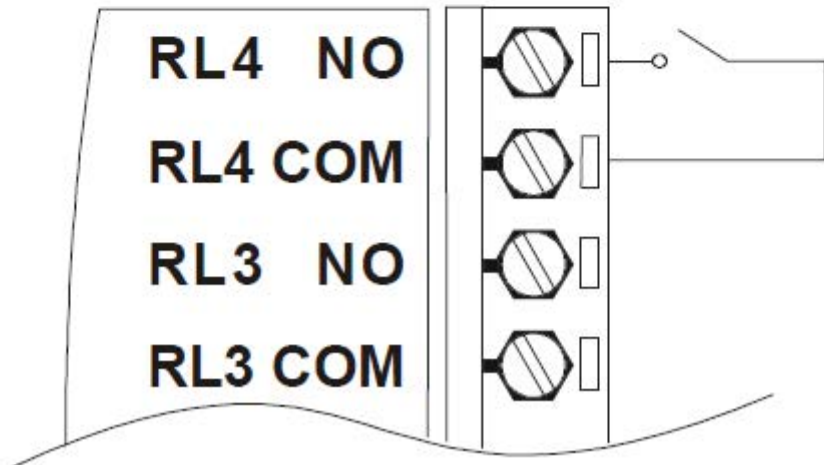


Figure 3.55 ADAM-4068 Form A relay output Wiring Diagram

3.15 ADAM-4069 8-Channel Relay Output Module

The ADAM-4069 Relay Output Module provides eight channels; four are Form A and the rest are Form C. This module is excellent for ON/OFF control or low-power switching applications.

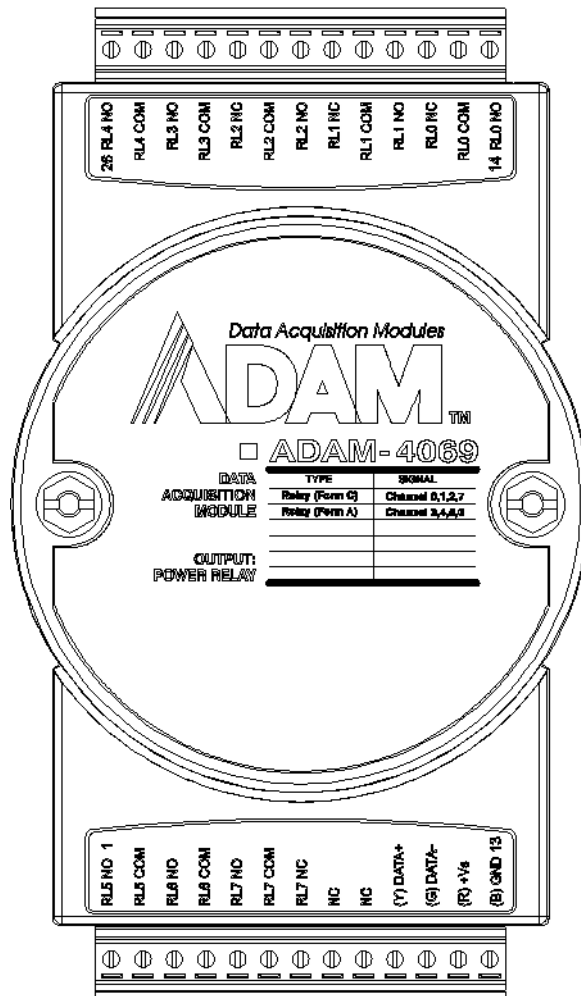


Figure 3.56 ADAM-4069 Relay Output Module

3.15.1 Specifications

- Number of Relay Output Channels: 8
- Digital Output: (Source)
 - 4 Form A, 4 Form C
 - AC 5A@250V
 - DC 5A@30V
 - ON/OFF: 5ms/ 5.6ms
- Power Consumption:
 - Typical: 1.3 W @ 24 V_{DC}
 - Max.: 2.3 W @ 24 V_{DC}
- Supports Modbus/RTU protocol
- I/O Connector Type: 13-pin plug-terminal * 2
- Supports Safety Value: Force the DO channels to safety status when communication is in time-out and over pre-defined period.

3.15.2 Wiring

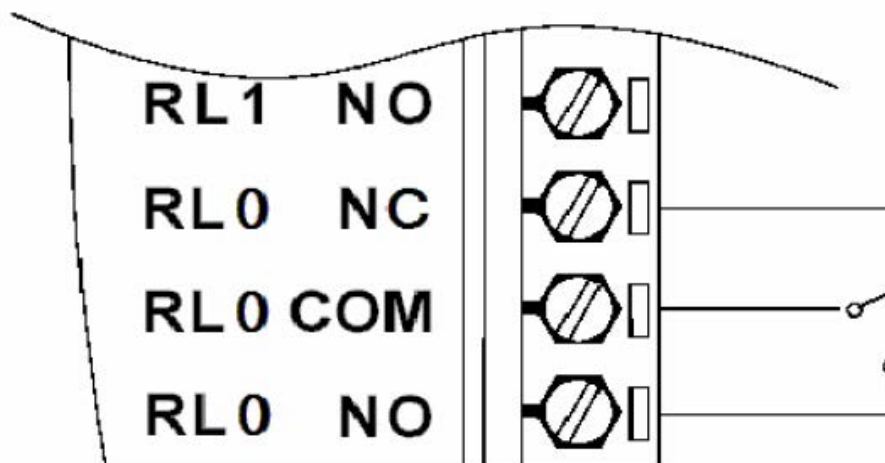


Figure 3.57 ADAM-4069 Form C Relay Output

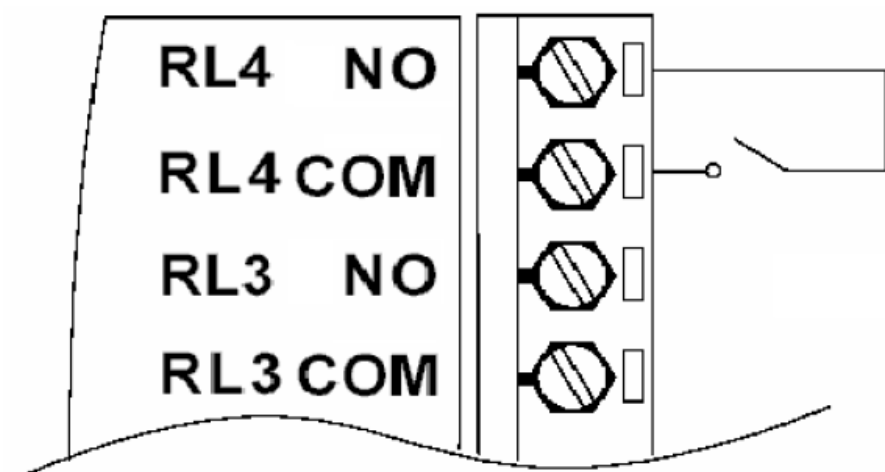


Figure 3.58 ADAM-4069 Form A Relay Output

3.16 ADAM-4080 Counter/Frequency Input Modules

The ADAM-4080 counter/frequency input module has two 32-bit counter input channels (counter 0 and counter 1) with built-in programmable timer for frequency measurement. These cost-effective modules let you monitor counter/frequency data as measurements are taken.

Signal Input Mode

The ADAM-4080/4080D provides separate terminals for photo-isolated input and non-isolated input to simplify the wiring. Opto-isolated input provides 2500 V_{RMS} isolation to protect your equipment from power surges at the ground terminal. After you make the physical connections, program the module to identify which of its two input terminals should be activated (isolated or non-isolated terminals).

Programmable Digital Filter

The ADAM-4080 module includes a unique programmable digital filter to reject noise from the input lines. You can specify separate time constant like minimum signal width at high level and minimum signal width at low level. This provides stable output readings.

Programmable Threshold

When the ADAM-4080 is programmed for non-isolated input, you can set a high and low trigger level. Like the programmable digital filter, the programmable threshold rejects noise from the input lines and provides a stable input readings

External Control (Gate mode)

Aside from the GND and counter terminal, each channel has a gate terminal to connect to an external gate signal. The gate signal (high or low) can trigger the counter to start or stop counting. The gate mode can be among these three options: low, high or disabled (low means that counting starts when the gate signal is low. It stops once the gate signal becomes high).

Programmable Alarm Output

The ADAM-4080 module provides a configurable alarm for each counter. When the counter reaches an alarm limit, it will trigger the built-in digital output of machine ON/OFF control. The alarm limits may be downloaded into the module's EEPROM by the host computer. The initial count value of the ADAM-4080 module's counter can be configured in any values.

The alarm functions can be enabled or disabled remotely. When the alarm functions are enabled, digital output channels are used to indicate the alarm states. For ADAM-4080, digital output channel 0 is equal to the alarm state of counter 0, and digital output channel 1 is equal to the alarm state of counter 1.

Every A/D conversion will be followed by a comparison of alarm limits. If the input value exceeds one of these limits, the corresponding alarm state is set to ON.

There are two alarm mode options, momentary and latching, for ADAM-4080D. If the alarm is in latching mode, the alarm will stay on even when the input value returns within the limits. An alarm in latching mode can be turned off by issuing a Clear Alarm command from the host computer. A latching alarm is cleared by the module when the opposite alarm is set. For example, the alarm is in latching mode and the high alarm is then turned ON. When the module receives a value that is lower than the low alarm limit, it will clear the high alarm and turn the low alarm ON.

When the alarm is in Momentary mode, the alarm will be turned OFF as soon as the input value returns within the limits. The arrangement of coupling high and low alarm states with digital output lines may be utilized to build ON/OFF controllers that can operate without host computer involvement.

3.16.1 ADAM-4080 Counter/Frequency Input Modules

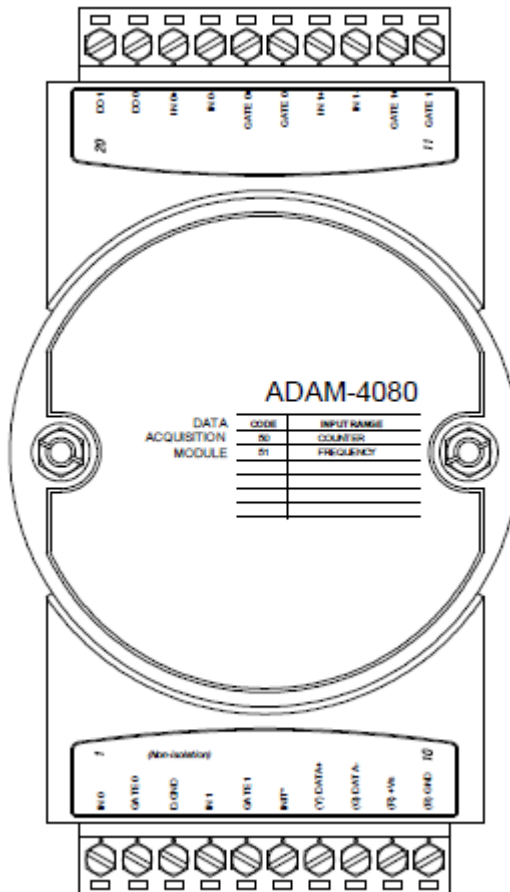


Figure 3.59 ADAM-4080 Counter/Frequency Input Module

Channels: 2 independent 32-bit counters (counter 0 and counter 1)

Input frequency: 50 kHz max.

Input mode: Isolated or non-isolated

Protocol: ASCII, Modbus/RTU (E version)

Isolation input level:

- Logic level 0: +1 V max
- Logic level 1: +3.5 V to +30 V
- Gate Logic level 0: the same as the setting of Logic level 0
- Gate Logic level 1: the same as the setting of Logic level 1
- Input Impedance: 1.2 k Ω , 1k Ω (E version)

Non-isolation input level (programmable threshold):

- Logic level 0: 0 to 0.8V (default = 0.8 V)
- Logic level 1: 2.4 to 5V (default = 2.4 V)
- Gate Logic level 0: 0.8 V max
- Gate Logic level 1: 2.4 to 5V

- Input Impedance: 50 M Ω , 2.5M Ω (E version)
- Digital Output:**
- Channels: 2, open collector to 30 V, 30 mA max. load

3.16.2 Application Wiring

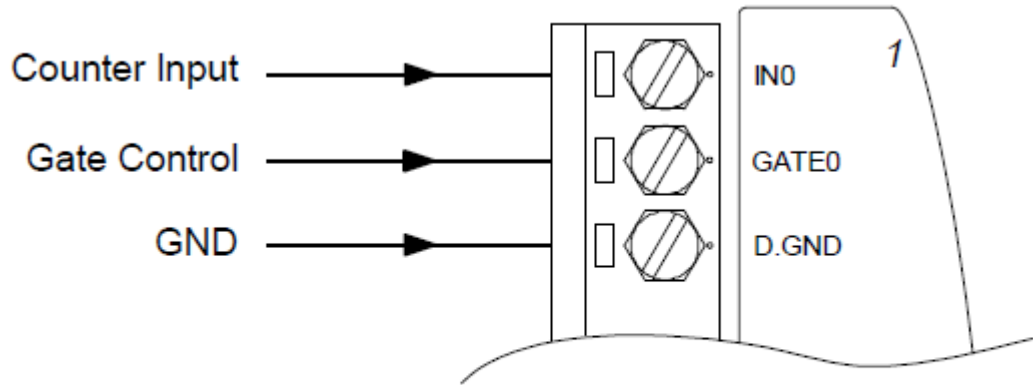


Figure 3.60 ADAM-4080 Non-Isolated Input

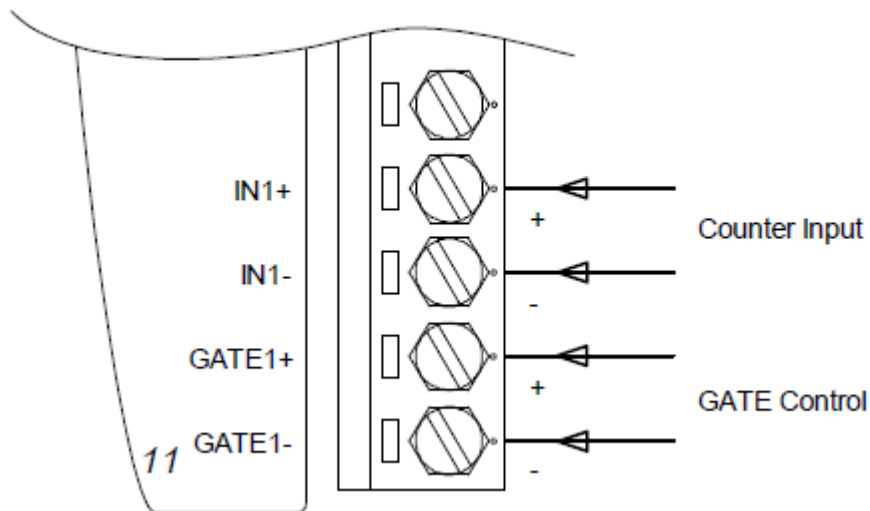


Figure 3.61 ADAM-4080 Photo-Isolated Input

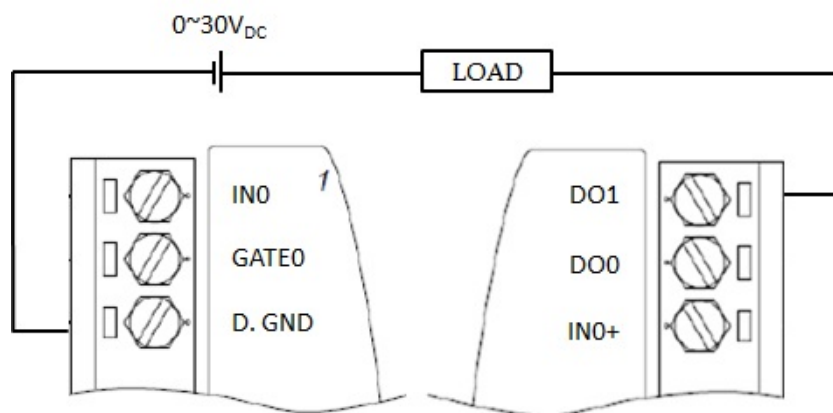


Figure 3.62 ADAM-4080 Digital Output Wiring

Chapter 4

Command Set

4.1 Introduction

In order to avoid communication conflicts among devices trying to send data simultaneously, all the traffic is coordinated by the host computer. This action is initiated by the host computer using a command/response protocol.

When the modules are not transmitting, they are in listening mode. The host issues a command to a module with a specified address and waits for the module's response. If there is no response, a timeout aborts the sequence and returns the control to the host.

Changing ADAM's configuration might require the module to perform auto calibration before changes may take effect. This is the case when the range is modified especially. The module has to perform all stages of auto-calibration which is also performed during the startup. When the calibration process is underway, the module does not respond to any other commands. The command set in the following pages includes the exact delays that might occur as modules are reconfigured.

4.2 Syntax

[delimiter character][address][command][data][checksum] [carriage return]

Every command begins with a delimiter character. There are four valid characters: a dollar sign \$, a pound sign #, a percentage sign % and an "at" sign @.

The delimiter character is followed by a two-character address (hexadecimal) that specifies the target module. The actual two-character command is followed by the address. Depending on the command, an optional data segment may be followed by a command string. Furthermore, an optional two-character checksum may be appended to the total string. Every command is terminated by a carriage return (cr).

ALL COMMANDS SHOULD BE ISSUED IN UPPERCASE CHARACTERS!

Before the command set is given, we provide an I/O module command search table to help you find the commands that you wish to use. The command set is divided into the following three categories:

- Analog Input Module commands
- Analog Output Module commands
- Digital I/O, Relay Output and Counter/Frequency Module commands

Each Category starts with a command summary of a particular type of module. However, they are explained in more depth in Chapters 5, 6 & 7 with detailed datasheets for each individual command.

Although commands in different subsections sometimes share the same format, the effect they have on a certain module can be completely different from others. For example, the configuration command %AANNTCCFF affects analog input modules and analog output modules differently. The full command set for every module is listed below.

4.3 I/O Module Commands Search Table

Table 4.1: ADAM-4015 Command Table			
Command Syntax	Command Name	Command Description	Page No.
%AANNTTCCFF	Configuration	Sets the address, input range, baud rate, data format, checksum status, and/or integration time for a specified analog input module	5-4
\$AA2	Configuration Status	Returns the configuration parameters for the specified analog input module	5-10
\$AAF	Read Firmware Version	Return the firmware version code from the specified analog input module	5-12
\$AAM	Read Module Name	Return the module name from the specified analog input module	5-13
#AA	Analog Data In	Returns the input value from a specified analog input module in the currently configured data format	5-14
#AAN	Read Analog Input from Channel N	Returns the input value from a specified channel of analog input module in the currently configured data format	5-16
\$AA5VV	Enable/Disable Channels for Multiplexing	Enable or disable the individual channels in an analog module	5-17
\$AA6	Read Channel Status	Get the enable/disable status of all channels in an analog module	5-18
\$AA0	Span Calibration	Calibrates an analog input module to correct for gain errors	5-19
\$AA1	Offset Calibration	Calibrates an analog input module to correct for offset errors	5-20
#**	Synchronized Sampling	Orders all analog input modules to sample their input values and store them in special registers	5-21
\$AA4	Read Synchronized Data	Returns the value that was stored in the specified module's register after the #** command	5-22
\$AAB	Channel Diagnose	Diagnose channel status as over range, under range, and wire opening	5-24
\$AA0Ci	Single Channel Span Calibration	Calibrates a specified channel to correct for gain errors	5-27
\$AA1Ci	Single Channel Offset Calibration	Calibrates a specified channel to correct for offset errors	5-28
\$AA7CiRrr	Single Channel Range Configuration	Configure the input type and range of the specified channel in an analog input module	5-29
\$AA8Ci	Read Single Channel Range Configuration	Get the input type and range of the specified channel in an analog input module	5-30

Table 4.1: ADAM-4015 Command Table

\$AAXnnnn	Watchdog Timer Setting	Set communication WDT cycle time from 0000 ~ 9999 (unit: 0.1 second. If value is 0000, the communication WDT function will be disabled. WDT cycle time can not be the same as Utility scan interval.)	5-31
\$AAY	Read Watchdog Timer Setting	Read the cycle time setting of communication WDT	5-32

Table 4.2: ADAM-4017 Command Table

Command Syntax	Command Name	Command Description	Page No.
%AANNTTCCFF	Configuration	Sets the address, input range, baud rate, data format, checksum status, and/or integration time for a specified analog input module	5-4
\$AA2	Configuration Status	Return the configuration parameters for the specified analog input module	5-10
\$AAF	Read Firmware Version	Return the firmware version code from the specified analog input module	5-12
\$AAM	Read Module Name	Return the module name from the specified analog input module	5-13
#AA	Read Analog Input	Return the input values from all channels of the specified analog input module	5-14
#AAN	Read Analog Input from Channel N	Return the input value from channels number N of the specified analog input module	5-16
\$AA5VV	Enable/Disable Channels for Multiplexing	Enable or disable the individual channels in an analog module	5-17
\$AA6	Read Channel Status	Get the enable/disable status of all channels in an analog module	5-18
\$AA0	Span Calibration	Calibrates an analog input module to correct for gain errors	5-19
\$AA1	Offset Calibration	Calibrates an analog input module to correct for offset errors	5-20
\$AA8Ci	Read Single Channel Range Configuration*	Get the input type and range of the specified channel in an analog input module	5-30
\$AAXNNNN	Watchdog Timer Setting*	Set communication WDT cycle time from 0000 ~ 9999 (unit: 0.1 second. If value is 0000, the communication WDT function will be disabled. WDT cycle time can not be the same as Utility scan interval.)	5-31

*The command is allowed with F or later versions.

Table 4.3: ADAM-4017+ Command Table

Command Syntax	Command Name	Command Description	Page No.
%AANNTTCCFF	Configuration	Sets the address, input range, baud rate, data format, checksum status, and/or integration time for a specified analog input module	5-4
\$AA2	Configuration Status	Return the configuration parameters for the specified analog input module	5-10
\$AAF	Read Firmware Version	Return the firmware version code from the specified analog input module	5-12
\$AAM	Read Module Name	Return the module name from the specified analog input module	5-13
#AA	Read Analog Input from all Channels	Return the input values from all channels of the specified analog input module	5-14
#AAN	Read Analog Input from Channel N	Return the input value from channels number N of the specified analog input module	5-16
\$AA5VV	Enable/Disable Channels for Multiplexing	Enable or disable the individual channels in an analog module	5-17
\$AA6	Read Channel Status	Get the enable/disable status of all channels in an analog module	5-18
\$AA7CiRrr	Single Channel Range Configuration	Configure the input type and range of the specified channel in an analog input module	5-29
\$AA8Ci	Read Single Channel Range Configuration	Get the input type and range of the specified channel in an analog input module	5-30
\$AAXnnnn	Watchdog Timer Setting	Set communication WDT cycle time from 0000 ~ 9999 (unit: 0.1 second. If value is 0000, the communication WDT function will be disabled. WDT cycle time can not be the same as Utility scan interval.)	5-31
\$AAY	Read Watchdog Timer Setting	Read the cycle time setting of communication WDT	5-32

Table 4.4: ADAM-4017+ Input range and external calibrating input source for each input type

Range bcode(Hex)	Input Range	Max. Signal	Min Signal	Displayed Resolution
07	4~20 mA	+20.000	+4.000	1uA
08	+/-10 V	+10.000	-10.000	1mV
09	+/-5 V	+5.0000	-5.0000	100.00uV
0a	+/-1 V	+1.0000	-1.0000	100.00uV
0b	+/-500 mV	+500.00	-500.00	10uV
0c	+/-150 mV	+150.00	-150.00	10uV
0d	+/-20 mA	+20.000	-20.000	1uA

Table 4.4: ADAM-4017+ Input range and external calibrating input source for each input type

48	0 ~ 10V*	+10.000	0.000	1mV
49	0 ~ 5V*	+5.0000	0.0000	100.00uV
4a	0 ~ 1 V*	+1.0000	0.0000	100.00uV
4b	0 ~ 500 mV*	+500.00	0.00	10uV
4c	0 ~ 150 mV*	+150.00	0.00	10uV
4d	0 ~ 20 mA*	20.000	0.000	1uA

* New input range for ADAM-4017+-F

Table 4.5: ADAM-4018+ Command Table

Command Syntax	Command Name	Command Description	Page No.
%AANNTTCCFF	Configuration	Sets the address, input range, baud rate, data format, checksum status, and/or integration time for a specified analog input module	5-4
\$AA2	Configuration Status	Return the configuration parameters for the specified analog input module	5-10
\$AAF	Read Firmware Version	Return the firmware version code from the specified analog input module	5-12
\$AAM	Read Module Name	Return the module name from the specified analog input module	5-13
#AA	Read Analog Input from all Channels	Return the input values from all channels of the specified analog input module	5-14
#AAN	Read Analog Input from Channel N	Return the input value from channels number N of the specified analog input module	5-16
\$AA5VV	Enable/Disable Channels for Multiplexing	Enable or disable the individual channels in an analog module	5-17
\$AA6	Read Channel Status	Get the enable/disable status of all channels in an analog module	5-18
\$AAB	Get Operating Status	Get the channel operating status. When bit value is 0, it means this channel is in normal operating, when bit value is 1, it means this channel is opening wire	5-24
\$AA3	CJC Status	Returns the value of the CJC sensor for a specified analog input module	5-25
\$AA9SNNNN	CJC Offset Calibration	Calibrates the CJC sensor for offset errors	5-26
\$AA7CiRrr	Single Channel Range Configuration	Configure the input type and range of the specified channel in an analog input module	5-29
\$AA8Ci	Read Single Channel Range Configuration	Get the input type and range of the specified channel in an analog input module	5-30

Table 4.5: ADAM-4018+ Command Table			
\$AAXnnnn	Watchdog Timer Setting	Set communication WDT cycle time from 0000 ~ 9999 (unit: 0.1 second. If the value is 0000, the communication WDT function will be disabled. WDT cycle time can not be the same as the Utility scan interval.)	5-31
\$AAY	Read Watchdog Timer Setting	Read the cycle time setting of communication WDT	5-32

Table 4.6: ADAM-4018+ Input range and external calibrating input source for each input type				
Range bcode(Hex)	Input Range	Max. Signal	Min Signal	Displayed Resolution
06	+/-20 mA	+20.000	-20.000	1uA
07	4~20 mA	+20.000	+4.000	1uA
14	Type J Thermocouple			
15	Type K Thermocouple			
16	Type T Thermocouple			
17	Type E Thermocouple			
18	Type R Thermocouple			
19	Type S Thermocouple			
20	Type B Thermocouple			

Table 4.7: ADAM-4019+ Command Table			
Command Syntax	Command Name	Command Description	Page No.
%AANNTTCCFF	Configuration	Sets the address, input range, baud rate, data format, checksum status, and/or integration time for a specified analog input module	5-4
\$AA2	Configuration Status	Return the configuration parameters for the specified analog input module	5-10
\$AAF	Read Firmware Version	Return the firmware version code from the specified analog input module	5-12
\$AAM	Read Module Name	Return the module name from the specified analog input module	5-13
#AA	Read Analog Input from all Channels	Return the input values from all channels of the specified analog input module	5-14
#AAN	Read Analog Input from Channel N	Return the input value from channels number N of the specified analog input module	5-16

Table 4.7: ADAM-4019+ Command Table

\$AA5VV	Enable/Disable Channels for Multi-plexing	Enable or disable the individual channels in an analog module	5-17
\$AA6	Read Channel Status	Get the enable/disable status of all channels in an analog module	5-18
\$AAB	Get Operating Status	Get the channel operating status When the bit value is 0, it means this channel is in normal operating, when the bit value is 1, it means this channel is open wire	5-24
\$AA3	CJC Status	Returns the value of the CJC sensor for a specified analog input module	5-25
\$AA9SNNNN	CJC Offset Calibration	Calibrates the CJC sensor for offset errors	5-26
\$AA0Ci	Single Channel Span Calibration	Calibrates a specified channel to correct for gain errors	5-27
\$AA1Ci	Single Channel Offset Calibration	Calibrates a specified channel to correct for offset errors	5-28
\$AA7CiRrr	Single Channel Range Configuration	Configure the input type and range of the specified channel in an analog input module	5-29
\$AA8Ci	Read Single Channel Range Configuration	Get the input type and range of the specified channel in an analog input module	5-30
\$AAXnnnn	Set Communication WDT	Set communication WDT cycle time from 0000 ~ 9999 (unit: 0.1 second. If value is 0000, the communication WDT function will be disabled. WDT cycle time can not be the same as Utility scan interval.)	5-31
\$AAY	Get Communication WDT setting	Read the cycle time setting of communication WDT	5-32

Table 4.8: ADAM-4021 Command Table

Command Syntax	Command Name	Command Description	Page No.
%AANNTTCCFF	Configuration	Set the address, output range, baud rate, data format, slew rate and/or checksum status	6-3
#AA(data)	Analog Data Out	Directs output data to a specified module	6-6
\$AA4	Start-up output current/voltage configuration	Stores a default output value in a specified module. The output value will take effect upon startup.	6-8
\$AA3(number of counts)	Trim Calibration	Trims specified module a number of units up/down	6-9
\$AA0	4 mA Calibration	Tells the module to store parameters for 4 mA Calibration	6-11
\$AA1	20 mA Calibration	Tells the module to store parameters for 20 mA Calibration	6-12
\$AA2	Configuration Status	Reads configuration of a specified module	6-13

Table 4.8: ADAM-4021 Command Table			
\$AA6	Last Value Readback	Returns either the last value sent to a specified module by #AA command, or startup output current/voltage	6-14
\$AA8	Current Readback	Returns the measured value of the current/voltage flowing through current loop	6-15
\$AA5	Reset Status	Checks if a module has been reset since the last \$AA5 command	6-16
\$AAF	Read Firmware Version	Returns the firmware version code from the specified analog output module	6-17
\$AAM	Read Module Name	Returns the module name from the specified analog output module	6-18
\$AAS	Safety Output Current or Voltage Configuration	Stores the present output value of an analog output module at address AA in the module's nonvolatile register	
\$AAX0nnnn	Watchdog Timer Setting	Sets up watchdog timer time	
\$AAX1	Read Watchdog Timer Setting	Reads Watchdog Timer Setting	
\$AAX2	Read Safety Flag	Returns a module's safety flag status to determine whether the safety value has been executed since the last write safety value command was set	

Table 4.9: ADAM-4024 Command Table			
Command Syntax	Command Name	Command Description	Page No.
%AANNTTCCFF	Configuration	Sets the address, output range, baud rate, data format, slew rate and/or checksum status	6-19
#AACn(data)	Analog Data Out	Directs output data to a specified module	6-20
#AASCn(data)	Set Startup Data	Sets data As CHn StartUp Data	6-20
#AAECn(data)	Set Emergency Stop	Sets data As CHn Emergency Stop Data	6-20
#**	N/A	Synchronous Sample IDI	6-20
\$AA0Cn	4 mA Calibration	Tells the module to store parameters for 4 mA Calibration	6-20
\$AA1Cn	20 mA Calibration	Tells the module to store parameters for 20 mA Calibration	6-20
\$AA2	Configuration Status	Reads back Module status	6-20
\$AA3Cn(number of counts)	Trim Calibration	Trims specified module a number of units up/down	6-20
\$AA4	Start-up output current/voltage configuration	Stores a default output value in a specified module. The output value will take effect upon startup.	6-20
\$AA5	Reset Status	Reads Back Reset Times After Last \$AA5 CMD And Clear This counter	6-20
\$AA6Cn	Last Value Readback	Returns either the last value sent to specified module by #AA command, or start-up output current/voltage	6-20

Table 4.9: ADAM-4024 Command Table			
\$AA7CnRxx	Set Output Type	Set CHn Output Type	6-20
\$AA8Cn	Current Readback	Returns the measured value of the current/voltage flowing through the current loop	6-21
\$AAF	Read Firmware Version	Returns the firmware version code from the specified analog output module	6-21
\$AAM	Read Module Name	Returns the module name from the specified analog output module	6-21
\$AAACnZ	EMS Flag setting	Enable/Disable (Z=1/0) CHn EMS Flag	6-21
\$AABCn	Read EMS Flag	Reads CHn EMS Flag	6-21
\$AADCn	Read startup data	Reads Back CHn StartUp Data	6-21
\$AAECn	Read emergency Stop	Reads Back CHn Emergency Stop Data	6-21
\$AAG	Reset Current Trim	Resets Current Trim Data Variable To 0	6-21
\$AAH	Read Current Trim	Reads Current Trim Data Variable	6-21
\$AAI	Read IDI	Reads IDI	6-21
\$AANCn	Read 4mA Calibration Parameter	Reads Back CHn 4mA Calibration Parameter	6-21
\$AAOCn	Read 20mA Calibration Parameter	Reads Back CHn 20mA Calibration Parameter	6-21
\$AAPCn	Clear 4mA Calibration Parameter	Clears CHn 4mA Calibration Parameter/EEPROM	6-21
\$AAQCn	Clear 20mA Calibration Parameter	Clears CHn 20mA Calibration Parameter/EEPROM	6-21
\$AAX0nnnn	Watchdog Timer Setting	Sets communication W DT cycle time from 0000 ~ 9999 (unit: 0.1 second. if the value is 0000, the communication W DT function will be disabled)	6-21
\$AAX1	Read Watchdog Timer Setting	Reads the cycle time setting of communication W DT	6-21
\$AA0Cn	4 mA Calibration	Tells the module to store parameters for 4 mA Calibration	6-20

Table 4.10: ADAM-4050 Command Table			
Command Syntax	Command Name	Command Description	Page No.
%AANNTTCCFF	Configuration	Sets address, baud rate, and/or checksum status, to a digital I/O module	7-4
\$AA6	Digital Data In	Returns the values of the digital I/O channels of the addressed module	7-6
#AABB(data)	Digital Data Out	Writes specified values to either a single channel or all channels simultaneously	7-8
#**	Synchronized Sampling	Orders all digital I/O modules to sample their input values and store them in a special register	7-11

Table 4.10: ADAM-4050 Command Table			
\$AA4	Read Synchronized Data	Returns the value of a specified digital I/O module that was stored after an #** command was issued	7-12
\$AA2	Configuration Status	Returns the configuration parameters of a specified digital I/O module	7-14
\$AA5	Reset Status	Indicates whether a specified digital I/O module was reset after the last time the \$AA5 command was issued	7-16
\$AAF	Read Firmware Version	Returns the firmware version code from the specified digital I/O module	7-18
\$AAM	Read Module Name	Returns the module name from the specified Digital I/O module	7-19

Table 4.11: ADAM-4051 Command Table			
Command Syntax	Command Name	Command Description	Page No.
%AANNTTCCFF	Configuration	Sets the address, baud rate, and/or checksum status to a digital I/O module	7-4
#**	Synchronized Sampling	Orders all digital I/O modules to sample their input values and store them in special registers	7-11
\$AA2	Configuration Status	Returns the configuration parameters of a specified digital I/O module	7-14
\$AA4	Read Synchronized Data	Returns the value of a specified digital I/O module that was stored in the specified register after an #** command was issued	7-12
\$AA5	Reset Status	Indicates whether a specified digital I/O module was reset after the last time that \$AA5 command was issued	7-16
\$AA6	Digital Data In	Returns the values of the digital I/O channel in the addressed module	7-6
\$AAF	Read Firmware Version	Returns the firmware version code from the specified digital I/O module	7-18
\$AAM	Read Module Name	Returns the module name from the specified digital I/O module	7-19

Table 4.12: ADAM-4052 Command Table			
Command Syntax	Command Name	Command Description	Page No.
%AANNTTCCFF	Configuration	Sets address, baud rate, and/or checksum status, to a digital I/O module	7-4
\$AA6	Digital Data In	Returns the values of the digital I/O channels of the addressed module	7-6
#**	Synchronized Sampling	Orders all digital I/O modules to sample their input values and store them in a special register	7-11
\$AA4	Read Synchronized Data	Returns the value of a specified digital I/O module that was stored after an #** command was issued	7-12

Table 4.12: ADAM-4052 Command Table			
\$AA2	Configuration Status	Returns the configuration parameters of a specified digital I/O module	7-14
\$AA5	Reset Status	Indicates whether a specified digital I/O module was reset after the last time the \$AA5 command was issued	7-16
\$AAF	Read Firmware Version	Returns the firmware version code from the specified digital I/O module	7-18
\$AAM	Read Module Name	Returns the module name from the specified digital I/O module	7-19
\$AAXnnnn	Watchdog Timer Setting	Sets communication WDT cycle time from 0000 ~ 9999 (unit: 0.1 second. If value is 0000, the communication WDT function will be disabled. WDT cycle time can not be the same as Utility scan interval.)	7-27
\$AAY	Read Watchdog Timer Setting	Reads the cycle time setting of communication WDT	7-28

Table 4.13: ADAM-4053 Command Table			
Command Syntax	Command Name	Command Description	Page No.
%AANNTTCCFF	Configuration	Sets address, baud rate, and/or checksum status, to a digital I/O module	7-4
\$AA6	Digital Data In	Returns the values of the digital I/O channels of the addressed module	7-6
##	Synchronized Sampling	Orders all digital I/O modules to sample their input values and store them in a special register	7-11
\$AA4	Read Synchronized Data	Returns the value of a specified digital I/O module that was stored after an ## command was issued	7-12
\$AA2	Configuration Status	Returns the configuration parameters of a specified digital I/O module	7-14
\$AA5	Reset Status	Indicates whether a specified digital I/O module was reset after the last time the \$AA5 command was issued	7-16
\$AAF	Read Firmware Version	Returns the firmware version code from the specified digital I/O module	7-18
\$AAM	Read Module Name	Returns the module name from the specified digital I/O module	7-19

Table 4.14: ADAM-4055 Command Table			
Command Syntax	Command Name	Command Description	Page No.
%AANNTTCCFF	Configuration	Sets the address, baud rate, and/or checksum status to a digital I/O module	7-4
#AABB(data)	Digital Data Out	Writes specified values to either a single channel or all channels simultaneously	7-8

Table 4.14: ADAM-4055 Command Table			
\$AA2	Configuration Status	Returns the configuration parameters of a specified digital I/O module	7-14
\$AA5	Reset Status	Indicates whether a specified digital I/O module was reset after the last time that \$AA5 command was issued	7-16
\$AA6	Digital Data In	Returns the values of the digital I/O channel in the addressed module	7-6
\$AAF	Read Firmware Version	Returns the firmware version code from the specified digital I/O module	7-18
\$AAM	Read Module Name	Returns the module name from the specified digital I/O module	7-19
\$AAX0TTTTDD	Write Safety Value	Forces the DO channels to safety status when communication is time-out and over pre-defined period.	7-21
\$AAX1	Read Safety Value	Reads the time-out setting and pre-defined safety status of DO channels.	7-22
\$AAX2	Read Safety Flag	Requests the Safety Flag of the addressed digital I/O module to see whether the safety value has been executed since Write Safety Value command was set.	7-23

Table 4.15: ADAM-4056S Command Table			
Command Syntax	Command Name	Command Description	Page No.
%AANNTTCCFF	Configuration	Sets the address, baud rate, and/or checksum status to a digital I/O module	7-4
#AABB(data)	Digital Data Out	Writes specified values to either a single channel or all channels simultaneously	7-8
\$AA2	Configuration Status	Returns the configuration parameters of a specified digital I/O module	7-14
\$AA5	Reset Status	Indicates whether a specified digital I/O module was reset after the last time that a \$AA5 command was issued	7-16
\$AA6	Digital Data In	Returns the values of the digital I/O channel in the addressed module	7-6
\$AAF	Read Firmware Version	Returns the firmware version code from the specified digital I/O module	7-18
\$AAM	Read Module Name	Returns the module name from the specified digital I/O module	7-19
\$AAX0TTTTDD	Write Safety Value	Forces the DO channels to safety status when communication is time-out and over a pre-defined period.	7-21
\$AAX1	Read Safety Value	Reads the time-out setting and pre-defined safety status of DO channels.	7-22

Table 4.15: ADAM-4056S Command Table

\$AAX2	Read Safety Flag	Requests the Safety Flag of the addressed digital I/O module to see whether the safety value has been executed since the Write Safety Value command was set.	7-23
\$AAXnnnn	Watchdog Timer Setting	Sets communication WDT cycle time from 0000 ~ 9999 (unit: 0.1 second. If value is 0000, the communication WDT function will be disabled. WDT cycle time can not be the same as Utility scan interval.)	7-27
\$AAY	Read Watchdog Timer Setting	Reads the cycle time setting of communication WDT	7-28

Table 4.16: ADAM-4056SO Command Table

Command Syntax	Command Name	Command Description	Page No.
%AANNTTCCFF	Configuration	Sets the address, baud rate, and/or checksum status to a digital I/O module	7-4
#AABB(data)	Digital Data Out	Writes specified values to either a single channel or all channels simultaneously	7-8
\$AA2	Configuration Status	Returns the configuration parameters of a specified digital I/O module	7-14
\$AA5	Reset Status	Indicates whether a specified digital I/O module was reset after the last time that a \$AA5 command was issued	7-16
\$AA6	Digital Data In	Returns the values of the digital I/O channel in the addressed module	7-6
\$AAF	Read Firmware Version	Returns the firmware version code from the specified digital I/O module	7-18
\$AAM	Read Module Name	Returns the module name from the specified digital I/O module	7-19
\$AAX0TTTTDD	Write Safety Value	Forces the DO channels to safety status when communication is time-out and over pre-defined period.	7-21
\$AAX1	Read Safety Value	Reads the time-out setting and pre-defined safety status of DO channels.	7-22
\$AAX2	Read Safety Flag	Requests the Safety Flag of the addressed digital I/O module to see whether the safety value has been executed since the Write Safety Value command was set.	7-23
\$AAE0	Read and Clear Over Current Status Flag	Reads the Over Current Status Flag and Clears the Flag simultaneously	7-24

Table 4.17: ADAM-4060/4068 Command Table			
Command Syntax	Command Name	Command Description	Page No.
%AANNTTCCFF	Configuration	Sets address, baud rate, and/or checksum status, to a digital I/O module	7-4
\$AA6	Digital Data In	Returns the values of the digital I/O channels of the addressed module	7-6
#AABB(data)	Digital Data Out	Writes specified values to either a single channel or all channels simultaneously	7-8
\$AA2	Configuration Status	Returns the configuration parameters of a specified digital I/O module	7-14
\$AA5	Reset Status	Indicates whether a specified digital I/O module was reset after the last time the \$AA5 command was issued	7-16
\$AAF	Read Firmware Version	Returns the firmware version code from the specified digital I/O module	7-18
\$AAM	Read Module Name	Returns the module name from the specified digital I/O module	7-19
\$AAX0TTTTDD	Write Safety Value	Forces the DO channels to safety status when communication is time-out and over pre-defined period.	7-21
\$AAX1	Read Safety Value	Reads the time-out setting and pre-defined safety status of DO channels.	7-22
\$AAX2	Read Safety Flag	Requests the Safety Flag of the addressed digital I/O module to see whether the safety value has been executed since the Write Safety Value command was set.	7-23
#**	Synchronized sampling command	Orders all analog input modules to sample their input values and store them in special registers	
\$AA4	Enable/Disable Digital Filter	Enables or disables the digital filter of the addressed counter/frequency module	

Table 4.18: ADAM-4069 Command Table

Command Syntax	Command Name	Command Description	Page No.
%AANNTTCCFF	Configuration	Sets address, baud rate, and/or checksum status, to a digital I/O module	7-4
\$AA6	Digital Data In	Returns the values of the digital I/O channels of the addressed module	7-6
#AABB(data)	Digital Data Out	Writes specified values to either a single channel or all channels simultaneously	7-8
\$AA2	Configuration Status	Returns the configuration parameters of a specified digital I/O module	7-14
\$AA5	Reset Status	Indicates whether a specified digital I/O module was reset after the last time the \$AA5 command was issued	7-16
\$AAF	Read Firmware Version	Returns the firmware version code from the specified digital I/O module	7-18
\$AAM	Read Module Name	Returns the module name from the specified digital I/O module	7-19
\$AAX0TTTTDD	Write Safety Value	Forces the DO channels to safety status when communication is timed-out and over pre-defined period.	7-21
\$AAX1	Read Safety Value	Reads the time-out setting and pre-defined safety status of DO channels.	7-22
\$AAP	Read low power status	The command requests the module at address AA to return the low power status of module	7-25
\$AAS	Set low power status	The command requests the module at address AA to set and return the low power mode of the module	7-26

Table 4.19: ADAM-4080 Command Table			
Command Syntax	Command Name	Command Description	Page No.
%AANNTTCCFF	Configuration	Sets the address, input mode, baud rate, checksum status and/or frequency gate time for a specified counter/ frequency module	7-28
\$AA2	Configuration Status	Returns configuration parameters from the specified counter/frequency module	7-30
\$AAF	Read Firmware Version	Returns firmware version code from the specified counter/frequency module	7-31
\$AAM	Read Module Name	Returns the module name from the specified counter/frequency module	7-32
\$AABS	Set Input Signal Mode	Sets the input signal mode of the specified counter/frequency module to either non-isolated or photo-isolated input signals	7-33
\$AAB	Read Input Signal Mode	Reads the input signal mode of the specified counter/frequency module.	7-34
#AAN	Read Counter or Frequency Value	Returns the value of counter 0 or counter 1 from a specified counter/ frequency module in hex format	7-35
\$AAAG	Set Gate Mode	Requests the specified counter/ frequency module to set its gate mode to either high, low or disabled	7-40
\$AAA	Read Gate Mode	Requests the specified counter/ frequency module to return the status of its gate mode	7-41
\$AA3N(data)	Set Maximum Counter Value	Sets the maximum value of counter 0 or counter 1 for the specified counter/ frequency module	7-42
\$AA3N	Read Maximum Counter Value	Reads the maximum value of counter 0 or counter 1 of the specified counter/frequency module	7-43
\$AA5NS	Start/Stop Counter	The command orders the specified counter/frequency module to start or stop counting	7-44
\$AA5N	Read Counter Start/Stop Status	The addressed counter frequency module returns its status indicating whether counting is enabled or disabled	7-45
\$AA6N	Clear Counter	The command clears the counter 0 or counter 1 of the specified counter module	7-46
\$AA7N	Read Overflow Flag	The addressed module returns the status of the overflow flag of counter 0 or counter 1	7-47
\$AA4S	Enable/Disable Digital Filter	Enables or disables the digital filter of the addressed counter/frequency module	7-49

Table 4.19: ADAM-4080 Command Table

\$AA4	Read Filter Status	The addressed counter frequency module returns the status of its digital filter	7-50
\$AA0H (data)	Set Minimum Input Signal Width at High Level	Sets the minimum input signal width at high level for a specified counter/frequency module	7-51
\$AA0H	Read Minimum Input Signal Width at High Level	Reads the minimum input signal width setting at high level for a specified counter/frequency module	7-52
\$AA0L (data)	Set Minimum Input Signal Width at Low Level	Sets the minimum input signal width at low level for a specified counter/frequency module	7-53
\$AA0L	Read Minimum Input Signal Width at Low Level	Reads minimum input signal width setting at low level for a specified counter/frequency module	7-54
\$AA1H (data)	Set Non-isolated High Trigger Level	Sets the high trigger level of non-isolated input signals for a specified counter/frequency module	7-55
\$AA1H	Read Non-isolated High Trigger Level	Requests the addressed counter frequency module to return the high trigger level for non-	7-56
\$AA1L (data)	Set Non-isolated Low Trigger Level	isolated input signals	7-57
\$AA1L	Read Non-isolated Low Trigger Level	Sets the low trigger level of non-isolated input signals for a specified counter/frequency module	7-58
@AAPN (data)	Set Initial Count Value of Counter N	Sets the initial count value of the module for counter 0 or counter 1	7-61
@AAGN	Read Initial Count Value of Counter N	Reads the initial count value of counter 0 or counter 1	7-62
@AAEAN	Enable Alarm of Counter N	Enables alarm for the specified counter 0 or counter 1	7-63
@AADAN	Disable Alarm of Counter N	Disables alarm for the specified counter 0 or counter 1	7-64
@AAPA (data)	Set Alarm Limit Value of Counter 0	Downloads the alarm limit value for counter 0 of the specified module	7-65
@AASA (data)	Set Alarm Limit Value of Counter 1	Downloads the alarm limit value for counter 1 of the specified module	7-65
@AARP	Read Alarm Limit Value of Counter 0	Asks the module to return the alarm limit value of counter 0	7-66
@AARA	Read Alarm Limit Value of Counter 1	Asks the module to return the alarm limit value of counter 1	7-66
@AADO (data)	Set Digital Output Values	Set the values of the module's two digital outputs (ON or OFF)	7-67
@AADI	Read Digital Output and Alarm Status	Asks the module to return the status state of its two digital outputs and the status of its alarm.	7-68

Chapter 5

Analog Input Module
Commands

5.1 Analog Input Common Command Set

Command Syntax	Description	I/O Module
%AANNTTCCFF	Sets the address, input range, baud rate, data format, checksum status, and/or integration time for a specified analog input module	4015, 4017, 4017+, 4018+, 4019+
\$AA2	Returns the configuration parameters for the specified analog input module	4015, 4017, 4017+, 4018+, 4019+
\$AAF	Returns the firmware version code from the specified analog input module	4015, 4017, 4017+, 4018+, 4019+
\$AAM	Returns the module name from the specified analog input module	4015, 4017, 4017+, 4018+, 4019+
#AA	Returns the input value from a specified analog input module in the currently configured data format	4015, 4017, 4017+, 4018+, 4019+
#AAN	Returns the input value from channel number n of the specified analog input module	4015, 4017, 4017+, 4018+, 4019+
\$AA5VV	Enables/disables multiplexing simultaneously for separate channels of the specified input module	4015, 4017, 4017+, 4018+, 4019+
\$AA6	Asks the specified input module to return the status of all eight channels	4015, 4017, 4017+, 4018+, 4019+
\$AA0	Calibrates an analog input module to correct for gain errors	4015, 4017
\$AA1	Calibrates the analog input module to correct for offset errors.	4017
##**	Orders all analog input modules to sample their input values and store them in special registers	4015
\$AA4	Returns the value that was stored in the specified module's register after the ##** command	4015
\$AAB	Asks the module to respond whether the wiring is open or closed	4015, 4018+, 4019+
\$AA3	Returns the value of the CJC sensor for a specified analog input module	4018+, 4019+
\$AA9SNNNN	Calibrates the CJC sensor for offset errors	4018+, 4019+
\$AA0Ci	Calibrates a specified channel to correct for gain errors	4015, 4019+
\$AA1Ci	Calibrates a specified channel to correct for offset errors	4015, 4019+

\$AA7CiRrr	Configures the input type and range of the specified channel in an analog input module	4015, 4017+, 4018+, 4019+
\$AA8Ci	Gets the input type and range of the specified channel in an analog input module	4015, 4017+, 4018+, 4019+
\$AAXnnnn	Communication Watchdog Timer Setting	4015, 4017+, 4018+, 4019+
\$AAAY	Read Communication Watchdog Timer Setting	4015, 4017+, 4018+, 4019+

4015, 4017, 4017+, 4018+, 4019+

5.1.1 %AANTTCCFF

- Name** Configuration command
- Description** Sets address, input range, baud rate, data format, checksum status, and/or integration time for an analog input module.
- Syntax** **%AANTTCCFF(cr)**
 % is a delimiter character.
AA (range 00-FF) represents the 2-character hexadecimal address of the analog input module you want to configure.
NN represents the new hexadecimal address of the analog input module. Range is from 00h to FFh.
TT represents the type (input range) code. (Note: 4015 and 4019 must be 00)
 (Refer to Table 5-1 on Page 5-6)
CC represents the baud rate code.
 (Refer to Table 5-2 on Page 5-8)
FF is a hexadecimal number that equals the 8-bit parameter representing the data format, checksum status and integration time. The layout of the 8-bit parameter is shown in Figure 5-1. Bits 2 through 5 are not used and are set to 0.
(cr) is the terminating character, carriage return (0Dh)

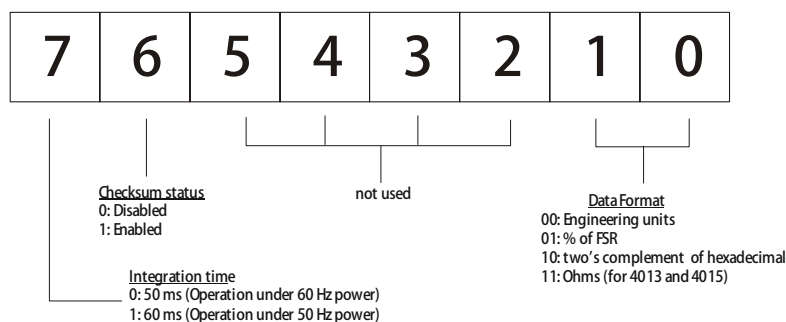


Figure 5.1 Data format for FF (8-bit parameter)

Response **!AA(cr)** if the command is valid.
?AA(cr) if an invalid parameter was entered or if the INIT* terminal was not grounded when attempting to change baud rate or checksum settings.
 There is no response if the module detects a syntax error or communication error or if the specified address does not exist.
 ! delimiter character indicates a valid command was received.
 ? delimiter character indicates the command was invalid
AA (range 00-FF) represents the 2-character hexadecimal address of an analog input module.
(cr) is the terminating character, carriage return (0Dh)

Example
 command:%2324050600(cr)
 response:!24(cr)
 The ADAM-4011 module with address 23h is configured to a new address of 24h, an input range ± 2.5 V, baud rate 9600, integration time 50 ms (60 Hz), engineering units data format and no checksum checking or generation.
 The response indicates that the command was received.
 Wait 7 seconds to let the new configuration settings take effect before issuing a new command to the module.

Caution! Only ADAM-4018+ supports “% of FSR” and “two’s complement of hexadecimal” Data Format.



Caution! An analog input module requires a maximum of 7 seconds to perform auto calibration and ranging after it is reconfigured.



During this time span, the module cannot be addressed to perform any other actions.

Caution! All configuration parameters can be changed dynamically, except checksum and baud rate parameters. They can only be altered when the INIT* terminal is grounded. (Refer to Baud rate and Checksum configuration in Chapter 2, for the correct procedure)



Table 5.1: Input Range Codes (Type Codes)

Input Range Code (Hex)	Input Range for 4018+ (Thermocouple and ± 20 mA only)
00	± 15 mV
01	± 50 mV
02	± 100 mV
03	± 500 mV
04	± 1 V
05	± 2.5 V
06	± 20 mA
07	4~20 mA

Table 5.1: Input Range Codes (Type Codes)

0E	Type J Thermocouple 0 ~ 760°C
0F	Type K Thermocouple 0 ~ 13700°C
10	Type T Thermocouple -100 ~ 400°C
11	Type E Thermocouple 0 ~ 1000°C
12	Type R Thermocouple 500 ~ 1750°C
13	Type S Thermocouple 500 ~ 1750°C
14	Type B Thermocouple 500 ~ 1800°C
Input Range Code(Hex)	Input Range for 4017,4017+
08	±10 V
09	±5 V
0A	±1 V
0B	±500 mV
0C	±150 mV
0D	±20 mA
07	4~20 mA
4A	0 ~ 1 V*
4B	0 ~ 500 mV*
4C	0 ~ 150 mV*
4D	0 ~ 20 mA*
48	0 ~ 10 V*
49	0 ~ 5 V*

Notice: The input range requires the usage of a 125 Ω current conversion resistor

* New input range for ADAM-4017-F, ADAM-4017+-F

Table 5.2: ADAM-4015 command codes against Input ranges table

Command Code (Hex)	Input Type	Input Range
20	Platinum 100 (IEC)	-50 ~ 150°C
21	Platinum 100 (IEC)	0 ~ 100°C
22	Platinum 100 (IEC)	0 ~ 200°C
23	Platinum 100 (IEC)	0 ~ 400°C
24	Platinum 100 (IEC)	-200 ~ 200°C
25	Platinum 100 (JIS)	-50 ~ 150°C
26	Platinum 100 (JIS)	0 ~ 100°C
27	Platinum 100 (JIS)	0 ~ 200°C
28	Platinum 100 (JIS)	0 ~ 400°C
29	Platinum 100 (JIS)	-200 ~ 200°C
2A	Platinum 1000	-40 ~ 160°C
2B	BALCO 500	-30 ~ 120°C
2C	Ni 518	-80 ~ 100°C
2D	Ni 518	0 ~ 100°C
32	Ni 508	0 ~ 100°C
33	Ni 508	-50 ~ 200°C
34	BA1	-200 ~ 600°C

IEC RTD 1000, $\alpha = 0.00385$

JIS RTD 1000, $\alpha = 0.00391$

Input Range Code (Hex)	Input Range for 4019+
02	±100 mV
03	±500 mV
04	±1 V
05	±2.5 V
07	+4~20mA
08	±10 V
09	±5 V
0D	±20 mA
42	0 ~ 100 mV*
43	0 ~ 500 mV*
44	0 ~ 1 V*
45	0 ~ 2.5 V*
48	0 ~ 10 V*
49	0 ~ 5 V*
4D	0 ~ 20 mA*
0E	Type J Thermocouple 0 ~ 760°C
0F	Type K Thermocouple 0 ~ 1370°C
10	Type T Thermocouple -100 ~ 400°C
11	Type E Thermocouple 0 ~ 1000°C
12	Type R Thermocouple 500 ~ 1750°C
13	Type S Thermocouple 500 ~ 1750°C
14	Type B Thermocouple 500 ~ 1800°C
18	Type N Thermocouple -200 ~ 1300°C*

* New input range for ADAM-4019+-F

Table 5.3: Baud Rate Codes

Baud Rate Code (Hex)	Baud Rate
03	1200 bps
04	2400 bps
05	4800 bps
06	9600 bps
07	19.2 kbps
08	38.4 kbps
09	57.6 kbps
0A	115.2 kbps

4015, 4017, 4017+, 4018+, 4019+**5.1.2 \$AA2**

Name	Configuration Status command
Description	The command requests the return of the configuration data from the analog input module at address AA.
Syntax	<p>\$AA2(cr)</p> <p>\$ is a delimiter character.</p> <p>AA (range 00-FF) represents the 2-character hexadecimal address of the analog input module that you want to interrogate.</p> <p>2 is the Configuration Status command.</p> <p>(cr) is the terminating character, carriage return (0Dh).</p>
Response	<p>!AATTCCFF(cr) if the command is valid.</p> <p>?AA(cr) if an invalid operation was entered.</p> <p>There is no response if the module detects a syntax error or communication error or if the specified address does not exist.</p> <p>! delimiter character indicates a valid command was received.</p> <p>? delimiter character indicates the command was invalid.</p> <p>AA (range 00-FF) represents the 2-character hexadecimal address of an analog input module.</p> <p>TT represents the type code. Type code determines the input range.</p> <p>CC represents the baud rate code.</p> <p>FF is a hexadecimal number that equals the 8-bit parameter that represents the data format, checksum status and integration time. The layout of the 8-bit parameter is shown in figure 4-1. Bits 2 to 5 are not used, and are set to 0.</p> <p>(cr) is the terminating character, carriage return (0Dh).</p> <p>(Please refer to %AANNTTCCFF configuration command to see TT, CC and FF parameter definitions)</p>
Example	<p>command: \$452(cr)</p> <p>response: !45050600(cr)</p> <p>The command asks the analog input module at address 45h to send its configuration data.</p> <p>The analog input module at address 45h responds with an input range of 2.5 volts, a baud rate of 9600 bps, an integration time of 50 ms (60 Hz), engineering units are the currently configured data format, and no checksum function or checksum generation.</p>

4015, 4017, 4017+, 4018+, 4019+

5.1.3 \$AAF

Name	Read Firmware Version command
Description	The command requests the analog input module at address AA to return the version code of its firmware.
Syntax	\$AAF (cr) \$ is a delimiter character. AA (range 00-FF) represents the 2-character hexadecimal address of the analog input module that you want to interrogate. F is the Read Firmware Version command. (cr) is the terminating character, carriage return (ODh).
Response	!AA(Version)(cr) if the command is valid. There is no response if the module detects a syntax error or communication error, or if the specified address does not exist. ! is a delimiter character indicating a valid command was received. AA (range 00-FF) represents the 2-character hexadecimal address of an analog input module. (Version) is the version code of the module's firmware at address AA. (cr) is the terminating character, carriage return (ODh).

4015, 4017, 4017+, 4018+, 4019+

5.1.4 \$AAM

Name	Read Module Name command
Description	The command requests the analog input module at address AA to return its name.
Syntax	\$AAM (cr) \$ is a delimiter character. AA (range 00-FF) represents the 2-character hexadecimal address of the analog input module that you want to interrogate. M is the Read Module Name command. (cr) is the terminating character, carriage return (ODh).
Response	!AA(Module Name)(cr) if the command is valid. There is no response if the module detects a syntax error or communication error, or if the specified address does not exist. ! is a delimiter character indicating a valid command was received. AA (range 00-FF) represents the 2-character hexadecimal address of an analog input module. (Module Name) is the name of the module at address AA. (cr) is the terminating character, carriage return (ODh).

4015, 4017, 4017+, 4018+, 4019+**5.1.5 #AA**

Name	Analog Data In command
Description	The command will return the input value from a specified (AA) module in the currently configured data format.
Syntax	#AA(cr) # is a delimiter character. AA (range 00-FF) represents the 2-character hexadecimal address of an analog input module. (cr) is the terminating character, carriage return (0Dh).
Response	>(data)(cr) There is no response if the module detects a syntax error or communication error or if the specified address does not exist. > is a delimiter character. (data) is the input value in the configured data format of the interrogated module. (For data formats, see Appendix B). (cr) is the terminating character, carriage return (0Dh).
Example	command: #21(cr) response: >+7.2111+7.2567+7.3125+7.1000 +7.4712+7.2555+7.1234+7.5678 (cr) The command interrogates the analog input module at address 21h for its input values of all channels. The analog input module responds with channels from 0 to 7 with +7.2111 volts, +7.2567 volts, +7.3125 volts, +7.1000 volts, +7.4712 volts, +7.2555 volts, +7.1234 volts and +7.5678 volts.
Example	command: #DE(cr) response: >FF5D(cr) The analog input module at address DEh has an input value of FF5D. (The configured data format of the analog input module is two's complement)

Caution! *When modules measure Thermocouple, RTD, Voltage or Current input values that are outside their configured range they will send data that implies input out of bounds. The next table shows the values that the modules will return, depending on the configured data format and if the input value falls under or exceeds the configured range.*



Only when modules are configured for Thermocouple or RTD, "input out of bounds" warning will occur. When analog input modules measure voltage or current that falls outside the configured range, they will return the actual measured input!

	Two's complement	% of Span	Engineering units
under	8000	-999999	-999999
over	7FFF	+999999	+999999

In the next example the target module is configured for an input range of T/C type J (Input range: 0 ~ 760°C) and for a data format in engineering units. The module measures an input value of 820°C.

Example command: #D1(cr)
 response: >+999999(cr)
 By returning a high value, +999999, the module at address D1h indicates that the measured input value exceeds the configured range.

4015, 4017, 4017+, 4018+, 4019+

5.1.6 #AAN

Name Read Analog Input from Channel N command

Description The command will return the input value from one of the eight channels of a specified (AA) module in the currently configured data format.

Syntax **#AAN(cr)**
 # is a delimiter character.
AA (range 00-FF) represents the 2-character hexadecimal address of the analog input module.
N identifies the channel you want to read. The value can range from 0 to 7 for 4017, 4019. (The range of 4015 is from 0 to 5)
(cr) is the terminating character, carriage return (0Dh).

Response **>(data)(cr)**
 There is no response if the module detects a syntax error or communication error or if the specified address does not exist.
 > is a delimiter character.
(data) is the input value of the channel number N. Data consists of a + or - sign followed by five decimal digits with a fixed decimal point.
?AA(cr) if an invalid operation was entered.
(cr) is the terminating character, carriage return (0Dh).

Example command: #120(cr)
 response: >+1.4567(cr)
 The command requests the analog input module at address 12h to return the input value of channel 0.
 The analog input module responds that the input value of channel 0 is equal to +1.4567 volts.

4015, 4017, 4017+, 4018+, 4019+**5.1.7 \$AA5VV**

Name	Enable/disable Channels for Multiplexing command
Description	Enables/disables multiplexing simultaneously for separate channels of a specified input module.
Syntax	<p>\$AA5VV(cr)</p> <p>\$ is a delimiter character.</p> <p>AA (range 00-FF) represents the 2-character hexadecimal address of analog input module.</p> <p>5 is the Enable/disable Channels command.</p> <p>VV are two hexadecimal values. The values are interpreted by the module as two binary words (4-bit). The first word represents the status of channel 4~7, and the second word represents the status of channel 0~3. Value 0 means the channel is disabled, value 1 means the channel is enabled.</p> <p>(cr) is the terminating character, carriage return (0Dh).</p>
Response	<p>!AA(cr) if the command is valid.</p> <p>?AA(cr) if an invalid operation was entered.</p> <p>There is no response if the module detects a syntax error or communication error or if the specified address does not exist.</p> <p>! delimiter character indicates a valid command was received.</p> <p>? delimiter character indicates the command was invalid.</p> <p>AA (range 00-FF) represents the 2-character hexadecimal address of an analog input module.</p> <p>(cr) is the terminating character, carriage return (0Dh).</p>
Example	<p>command: \$00581(cr)</p> <p>response: !00(cr)</p> <p>Hexadecimal 8 equals binary 1000, which enables channel 7 and disables channels 4, 5, and 6.</p> <p>Hexadecimal 1 equals binary 0001, which enables channel 0 and disables channel 1, 2, and 3.</p>

5.1.8 \$AA6

Name	Read Channel Status command
Description	Asks a specified input module to return the status of all channels.
Syntax	\$AA6(cr) AA (range 00-FF) represents the 2-character hexadecimal address of analog input module of which the channel status you want to send. The channel status defines whether a channel is enabled or disabled. 6 is the Read Channel Status command. (cr) is the terminating character, carriage return (0Dh).
Response	!AAVV(cr) if the command is valid. ?AA(cr) if an invalid operation was entered. There is no response if the module detects a syntax error or communication error or if the specified address does not exist. ! delimiter character indicates a valid command was received. ? delimiter character indicates the command was invalid. AA (range 00-FF) represents the 2-character hexadecimal address of an analog input module. VV are two hexadecimal values. The values are interpreted by the module as two binary words (4-bit). The first word represents the status of channel 4-7, and the second word represents the status of channel 0-3. Value 0 means the channel is disabled, value 1 means the channel is enabled. (cr) is the terminating character, carriage return (0Dh).
Example	command: \$026(cr) response: !02FF(cr) The command asks the analog input module at address 02 to send the status of its input channels. The analog input module at address 02 responds that all its multiplex channels are enabled (FF equals 1111 and 1111).

4015, 4017**5.1.9 \$AA0**

Name	Span Calibration command
Description	Calibrates an analog input module to correct for gain errors.
Syntax	<p>\$AA0(cr)</p> <p>\$ is a delimiter character.</p> <p>AA (range 00-FF) represents the 2-character hexadecimal address of the analog input module which is to be calibrated.</p> <p>0 is the Span Calibration command.</p> <p>(cr) is the terminating character, carriage return (0Dh).</p>
Response	<p>!AA(cr) if the command was valid.</p> <p>?AA(cr) if an invalid operation was entered.</p> <p>There is no response if the module detects a syntax error or communication error or if the specified address does not exist.</p> <p>! delimiter character indicates a valid command was received.</p> <p>? delimiter character indicates the command was invalid.</p> <p>AA (range 00-FF) represents the 2-character hexadecimal address of the analog input module.</p> <p>(cr) represents terminating character, carriage return (0Dh).</p> <p>In order to successfully calibrate an analog input module's input range, a proper calibration input signal should be connected to the analog input module before and during the calibration. (See also Chapter 8, Calibration)</p>

Caution! *An analog input module requires a maximum of 7 seconds to perform auto calibration and ranging after it receives a Span Calibration command. During this interval, the module can not be addressed to perform any other actions.*



5.1.10 \$AA1

Name	Offset Calibration command
Description	Calibrates an analog input module to correct for offset errors.
Syntax	<p>\$AA1(cr)</p> <p>\$ is a delimiter character.</p> <p>AA (range 00-FF) represents the 2-character hexadecimal address of the analog input module you want to calibrate.</p> <p>1 is the Offset Calibration command.</p> <p>(cr) is the terminating character, carriage return (0Dh).</p>
Response	<p>!AA(cr) if the command is valid.</p> <p>?AA(cr) if an invalid operation was entered.</p> <p>There is no response if the module detects a syntax error or communication error or if the specified address does not exist.</p> <p>! delimiter character indicates a valid command was received.</p> <p>? delimiter character indicates the command was invalid.</p> <p>AA (range 00-FF) represents the 2-character hexadecimal address of the analog input module.</p> <p>(cr) represents terminating character, carriage return (0Dh).</p> <p>In order to successfully calibrate an analog input module's input range, a proper calibration input signal should be connected to the analog input module before and during the calibration. (See also Chapter 8, Calibration)</p>

Caution! *An analog input module requires a maximum of 7 seconds to perform auto calibration and ranging after it received an Offset Calibration command. During this interval, the module can not be addressed to perform any other actions.*



4015**5.1.11 #****

Name	Synchronized sampling command
Description	Orders all analog input modules to sample their input values and store the values in special registers.
Syntax	#** # is a delimiter character. ** is the Synchronized Sampling command. The terminating character, in the form of a carriage return (0Dh), is not required.
Response	The analog input modules will send no response after executing the synchronized sampling command. In order to retrieve the data, a separate Read Synchronized Data command has to be issued for every analog input module. The pound sign (#) followed by two asterisks (**) does not represent an optional value, but is the actual command string.

4015**5.1.12 \$AA4**

Name	Read Synchronized Data command
Description	Returns the input value that was stored in the addressed module's register, after a Synchronized Sampling command #** was issued.
Syntax	\$AA4(cr) \$ is a delimiter character. AA (range 00-FF) represents the 2-character hexadecimal address of the analog input module from which data is to be sent. 4 is the Read Synchronized Data command. (cr) is the terminating character, carriage return (0Dh).
Response	>AA(status)(data)(cr) if the command was valid. ?AA(cr) if an invalid operation was entered. There is no response if the module detects a syntax error or communication error or if the specified address does not exist. > delimiter character indicates a valid command was received. AA (range 00-FF) represents the 2-character hexadecimal address of the analog input module that is responding. (status) will tell you if the data (data) from the last Synchronized Sampling command (#**) has already been sent. If status = 1, then the data has been sent for the first time since a Synchronized Sampling command was issued. If status = 0, then the data has been sent at least once before. (data) a value stored in a special register of the interrogated module in the configured data format. It has been sampled

by the module after a Synchronized Sampling command.
(For possible data formats, see Appendix B, Data Formats
and I/O Ranges)

(cr) represents terminating character, carriage return (0Dh).

Note: for ADAM-4015 the response format is >+Data

Example

command: \$074(cr)

response: >071+5.8222(cr) for ADAM-4015,
the response is >+5.8222(cr)

The command asks the analog input module at address 07h
to send its analog input data.

The analog input module responds with status = 1, which
means that this is the first time that the data has been sent
and that the data = +5.8222 Volts.

(Configured data format of the analog input module in this
case is engineering units.)

command: \$074(cr)

response: >070+5.8222(cr) for ADAM-4015,
the response is >+5.8222(cr)

The command asks the analog input module at address 07h
to send its analog input data.

The analog input module responds with status = 0, which
means that it has sent the same data at least once before,
and data = +5.8222 Volts. This could indicate that a

previous Synchronized Sampling command was not received!
(Configured data format of the analog input module in this
case is engineering units.)

4015, 4018+, 4019+**5.1.13 \$AAB**

Name	Channel Diagnose command
Description	Diagnoses channel status in over range, under range, and wire opening.
Syntax	<p>\$AAB(cr)</p> <p>\$ is a delimiter character.</p> <p>AA (range 00-FF) represents the 2-character hexadecimal address of the analog input module to be detected.</p> <p>B is the Channel Diagnose command.</p> <p>(cr) is the terminating character, carriage return (0Dh).</p>
Response	<p>ADAM-4015/4018+/4019+:</p> <p>!AANN(cr) if the command is valid when it applied with.</p> <p>?AA(cr) if an invalid command was issued.</p> <p>There is no response if the module detects a syntax error or communication error or if the specified address does not exist.</p> <p>! delimiter character indicates a valid command was received.</p> <p>? delimiter character indicates the command was invalid.</p> <p>AA (range 00-FF) represents the 2-character hexadecimal address of the analog input module.</p> <p>NN (range 00-FF) is a hexadecimal number that equals the 8-bit parameter, representing the status of analog input channels. Bit value 0 means normal status; and bit value 1 means channel over range, under range, or open wiring.</p> <p>(cr) is the terminating character, carriage return (0Dh)</p>

5.1.14 \$AA3

Name	CJC Status command
Description	Instructs the addressed analog input module to read its CJC (Cold Junction Compensation) sensors and return the acquired data.
Syntax	\$AA3(cr) \$ is a delimiter character. AA (range 00-FF) represents the 2-character hexadecimal address of the analog input module which contains the CJC Status you wish to retrieve. 3 is the CJC Status command. (cr) is the terminating character, carriage return (0Dh).
Response	>data(cr) if the command is valid. ?AA(cr) if an invalid command was issued. There is no response if the module detects a syntax error or communication error or if the specified address does not exist. ! delimiter character indicates a valid command was received. ? delimiter character indicates the command was invalid AA (range 00-FF) represents the 2-character hexadecimal address of an analog input module. (data) is the value that is retrieved by the module by reading its CJC sensor. The data format, in degrees Celsius, consists an "+" or "-" sign followed by five decimal digits and a fixed decimal point. The resolution of the data is 0.1°C. (cr) is the terminating character, carriage return (0Dh).
Example	command: \$093(cr) response: >+0036.8(cr) The command requests the analog input module at address 09h to read its CJC sensor and return the data. The analog input module at address 09h responds with: 36.8°C.

4018+, 4019+**5.1.15 \$AA9SNNNN**

Name	CJC Offset Calibration command
Description	Calibrates an analog input module to adjust for offset errors of its CJC (Cold Junction Compensation) sensors.
Syntax	<p>\$AA9SNNNN(number of counts)(cr)</p> <p>\$ is a delimiter character.</p> <p>AA (range 00-FF) represents the 2-character hexadecimal address of the analog input module which contains the CJC status you wish to retrieve.</p> <p>9 is the CJC Status command.</p> <p>S sign, + or -, indicates whether to increase or decrease the CJC offset value.</p> <p>NNNN (number of counts) is a four character hexadecimal "count" value. Each count equals approximately 0.009. The value can range from 0000 to FFFF.</p> <p>(cr) is the terminating character, carriage return (0Dh).</p>
Response	<p>!AA(cr) if the command is valid.</p> <p>?AA(cr) if an invalid command was issued.</p> <p>There is no response if the module detects a syntax error or communication error or if the specified address does not exist.</p> <p>! delimiter character indicates a valid command was received.</p> <p>? delimiter character indicates the command was invalid.</p> <p>AA (range 00-FF) represents the 2-character hexadecimal address of an analog input module.</p> <p>(cr) is the terminating character, carriage return (0Dh).</p>
Example	<p>command: \$079+0042(cr)</p> <p>response: !07(cr)</p> <p>The command increases the CJC offset value of the analog input module at address 07h with 66 counts (42 hex) which equals about 0.6°C.</p>

Caution! *An analog input module requires a maximum of 2 seconds to perform auto calibration and ranging after it receives a CJC Calibration command. During this interval, the module can not be addressed to perform any other actions.*



5.1.16 \$AA0Ci

Name	Single Channel Span Calibration command
Description	The command calibrates a specified channel to correct for gain errors.
Syntax	\$AA0Ci(cr) \$ is a delimiter character. AA (range 00-FF) represents the 2-character hexadecimal address of the analog input module which is to be calibrated. 0 is the Single Channel Span Calibration command. Ci represents the specified input channel you want to calibrate. (cr) is the terminating character, carriage return (0Dh).
Response	!AA(cr) if the command was valid. ?AA(cr) if an invalid operation was entered. There is no response if the module detects a syntax error or communication error or if the specified address does not exist. ! delimiter character indicates a valid command was received. ? delimiter character indicates the command was invalid. AA (range 00-FF) represents the 2-character hexadecimal address of the analog input module. (cr) represents terminating character, carriage return (0Dh). In order to successfully calibrate an analog input module's input range, a proper calibration input signal should be connected to the analog input module before and during the calibration. (See also Chapter 8, Calibration)

Caution! *An analog input module requires a maximum of 7 seconds to perform auto calibration and ranging after it receives a Span Calibration command. During this interval, the module can not be addressed to perform any other actions.*



4015, 4019+**5.1.17 \$AA1Ci**

Name	Single Channel Offset Calibration command
Description	The command calibrates a specified channel to correct for offset errors.
Syntax	<p>\$AA1Ci(cr)</p> <p>\$ is a delimiter character.</p> <p>AA (range 00-FF) represents the 2-character hexadecimal address of the analog input module which is to be calibrated.</p> <p>1 is the Single Channel Offset Calibration command.</p> <p>Ci represents the specified input channel you want to calibrate.</p> <p>(cr) is the terminating character, carriage return (0Dh).</p>
Response	<p>!AA(cr) if the command was valid.</p> <p>?AA(cr) if an invalid operation was entered.</p> <p>There is no response if the module detects a syntax error or communication error or if the specified address does not exist.</p> <p>! delimiter character indicates a valid command was received.</p> <p>? delimiter character indicates the command was invalid.</p> <p>AA (range 00-FF) represents the 2-character hexadecimal address of the analog input module.</p> <p>(cr) represents terminating character, carriage return (0Dh).</p>
Example	<p>command: \$021C5(cr)</p> <p>response: !02(cr)</p> <p>The command calibrates channel 5 of the analog input module at address 02 for correcting offset errors.</p>

5.1.18 \$AA7CiRrr

Name	Single Channel Range Configuration command
Description	This command configures the input type and range of the specified channel in an analog input module.
Syntax	\$AA7CiRrr(cr) \$ is a delimiter character. AA (range 00-FF) represents the 2-character hexadecimal address of the analog input module which is to be configured. 7 is the Single Channel Range Configuration command. Ci represents the specified input channel you want to configure. Rrr represents the type and range you want to set. (Refer to Table 5.1 on Page 5-6 to check range codes) (cr) is the terminating character, carriage return (0Dh).
Response	!AA(cr) if the command was valid. ?AA(cr) if an invalid operation was entered. There is no response if the module detects a syntax error or communication error or if the specified address does not exist. ! delimiter character indicates a valid command was received. ? delimiter character indicates the command was invalid. AA (range 00-FF) represents the 2-character hexadecimal address of the analog input module. (cr) represents terminating character, carriage return (0Dh).
Example	command: \$027C5R21(cr) response: !02(cr) The command configures the range of channel 5 in the analog input module at address 02 as Pt100(IEC) 0 ~ 100°C

4015, 4017*, 4017+, 4018+, 4019+

*ADAM-4017 has this command in version F or the latest version.

5.1.19 \$AA8Ci

Name	Read Single Channel Range Configuration command
Description	This command reads the input type and range configuration of the specified channel in an analog input module.
Syntax	<p>\$AA8Ci(cr)</p> <p>\$ is a delimiter character.</p> <p>AA (range 00-FF) represents the 2-character hexadecimal address of the analog input module which is to be read.</p> <p>8 is the Read Single Channel Range Configuration command.</p> <p>Ci represents the specified input channel you want to read.</p> <p>(cr) is the terminating character, carriage return (0Dh).</p>
Response	<p>!AACiRrr(cr) if the command was valid.</p> <p>?AA(cr) if an invalid operation was entered.</p> <p>There is no response if the module detects a syntax error or communication error or if the specified address does not exist.</p> <p>! delimiter character indicates a valid command was received.</p> <p>? delimiter character indicates the command was invalid.</p> <p>AA (range 00-FF) represents the 2-character hexadecimal address of the analog input module.</p> <p>Ci represents the specified input channel you read.</p> <p>Rrr represents the type and range setting in the specified channel. (Refer to Table 5-1 on Page 5-6 to check range codes)</p> <p>(cr) represents terminating character, carriage return (0Dh).</p>
Example	<p>command: \$028C5(cr)</p> <p>response: !02C5R21(cr)</p> <p>The command read the range of channel 5 in the analog input module at address 02. The response "R21" means Pt100 (IEC) 0 ~ 100°C.</p>

4015, 4017*, 4017+, 4018+, 4019+

**ADAM-4017 has this command in version F or the latest version.

5.1.20 **\$AAXnnnn**

Name	Watchdog Timer Setting command
Description	This command sets the communication watchdog timer (WDT) cycle time.
Syntax	\$AAXnnnn(cr) \$ is a delimiter character. AA (range 00-FF) represents the 2-character hexadecimal address of the analog input module which is to be read. X is the Watchdog Timer Setting command. nnnn (range 0000~9999) represents the specified value of communication cycle you want to set. (Unit: 0.1 second) (cr) is the terminating character, carriage return (0Dh).
Response	!AA(cr) if the command was valid. ?AA(cr) if an invalid operation was entered. There is no response if the module detects a syntax error or communication error or if the specified address does not exist. ! delimiter character indicates a valid command was received. ? delimiter character indicates the command was invalid. AA (range 00-FF) represents the 2-character hexadecimal address of the analog input module. (cr) represents terminating character, carriage return (0Dh).
Example	command: \$02X1234(cr) response: !02(cr) The command set the WDT cycle as 1234 in the input module at address 02.

Caution! *If the value of "nnnn" is 0000, the communication WDT function will be disabled. WDT cycle time can not be the same as the Utility scan interval.*



4015, 4017*, 4017+, 4018+, 4019+

*ADAM-4017 has this command in version F or the latest version.

5.1.21 \$AAY

Name	Read Communication Watchdog Timer Cycle Setting command
Description	This command reads the setting of communication watchdog timer (WDT) cycle time.
Syntax	<p>\$AAY(cr)</p> <p>\$ is a delimiter character.</p> <p>AA (range 00-FF) represents the 2-character hexadecimal address of the analog input module which is to be read.</p> <p>Y is the Reading Communication WDT Cycle Setting command.</p> <p>(cr) is the terminating character, carriage return (0Dh).</p>
Response	<p>!AAnnnn(cr) if the command was valid.</p> <p>?AA(cr) if an invalid operation was entered.</p> <p>There is no response if the module detects a syntax error or communication error or if the specified address does not exist.</p> <p>! delimiter character indicates a valid command was received.</p> <p>? delimiter character indicates the command was invalid.</p> <p>AA (range 00-FF) represents the 2-character hexadecimal address of the analog input module.</p> <p>nnnn (range 0000~9999) represent the specified value of communication cycle you read. (Unit: 0.1 second)</p> <p>(cr) represents the terminating character, carriage return (0Dh).</p>
Example	<p>command: \$02Y(cr)</p> <p>response: !020030(cr)</p> <p>The command reads the WDT cycle as 0030 in the input module at address 02.</p>

Chapter 6

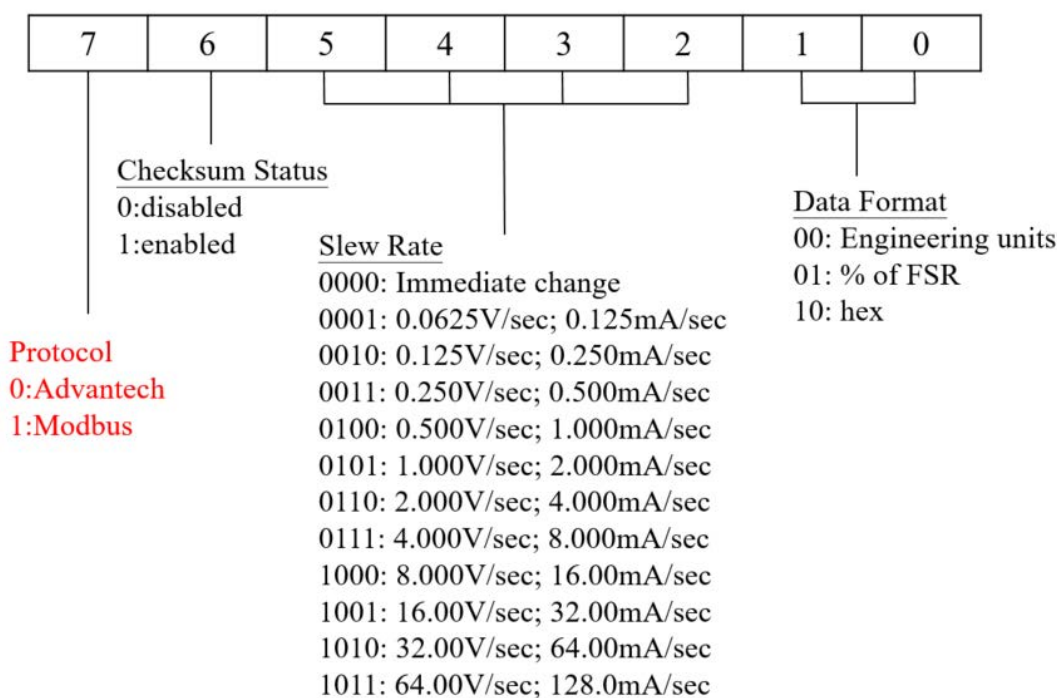
Analog Output Module Commands

6.1 Analog Output Module Commands for ADAM-4021

Command Syntax	Command Name	Description	I/O Module
%AANNTTCCFF	Configuration	Sets the address, output range, baud rate, data format, slew rate and/or checksum status	4021
#AA(data)	Analog Data Out	Directs output data to a specified module	4021
\$AA4	Start-Up Output Current or Voltage Configuration	Stores a default output value in a specified module. The output value will take effect upon startup	4021
\$AA3 (number of counts)	Trim Calibration	Trims specified module a number of units up/down	4021
\$AA0	4 mA Calibration	Tells the module to store parameters for 4mA Calibration	4021
\$AA1	20 mA Calibration	Tells the module to store parameters for 20 mA Calibration	4021
\$AA2	Configuration Status	Reads the configuration of specified module	4021
\$AA6	Last Value Readback	Returns either the last value sent to a specified module by #AA command, or start-up output current/voltage	4021
\$AA8	Current Readback	Returns measured value of the current/voltage flowing through current loop	4021
\$AA5	Reset Status	Checks if a module has been reset since the last \$AA5 command	4021
\$AAF	Read Firmware Version	Returns the firmware version code from the specified analog output module	4021
\$AAM	Read Model Name	Returns the module name from specified analog output module	4021
\$AAX0nnnn	Watchdog Timer Setting	Sets up watchdog timer time	4021
\$AAX1	Read Watchdog Timer Setting	Reads Watchdog Timer Setting	4021
\$AAX2	Read Safety Flag	Returns a module's safety flag status to determine whether the safety value has been executed since the last write safety value command was set	4021
\$AAS	Safety Output Current or Voltage Configuration	Stores the present output value of an analog output module at address AA in the module's non-volatile register.	4021

4021**6.1.1 %AANNTTCFF**

Name	Configuration command
Description	Sets address, input range, baud rate, data format, checksum status, and/or integration time for an analog output module.
Syntax	<p>%AANNTTCFF(cr) % is a delimiter character.</p> <p>AA (range 00-FF) represents the 2-character hexadecimal address that is to be configured.</p> <p>NN represents the new hexadecimal address of the analog output module. Range is from 00h to FFh.</p> <p>TT represents the type codes (output range codes). (See Table 6-2 on next page)</p> <p>CC represents the baud rate codes. (See Table 6-1 on next page)</p> <p>FF is a hexadecimal number that equals to 8-bit parameter representing the status of data format, slew rate, and checksum. The layout of the 8-bit parameter is shown in Figure 6.1. Bit 7 is not used and must be set to 0.</p> <p>(cr) is the terminating character, carriage return (0Dh).</p>

**Figure 6.1 Data format for FF (8-bit parameter)**

Note! Only ADAM-4021 supports “% of FSR” and “two’s complement of hexa decimal” data format.



Response **!AA(cr)** if the command is valid.
?AA(cr) if an invalid parameter was entered or the INIT* terminal was not grounded when changing baud rate or checksum settings was attempted.
There is no response if the module detects a syntax or communication error, or even if the specified address does not exist.
! delimiter character indicates that a valid command is received.
? delimiter character indicates that the command is invalid.
AA (range 00-FF) represents the 2-character hexadecimal address of an analog output module.
(cr) is the terminating character, carriage return (0Dh).

Table 6.1: Baud Rate Codes

Baud Rate Code (Hex)	Baud Rate
03	1200 bps
04	2400 bps
05	4800 bps
06	9600 bps
07	19.2 Kbps
08	38.4 Kbps

Table 6.2: Output Range Codes (Type Codes)

Output Range Code (Hex)	Output Range for ADAM-4021
30	0 to 20 mA
31	4 to 20 mA
32	0 to 10 V

Caution! *An analog output module requires a maximum of 20 milliseconds to perform auto calibration and ranging after it is reconfigured. During this time span, the module can not be addressed to perform any other actions.*



Caution! *All configuration parameters can be changed dynamically, except the checksum and baud rate parameters. They can only be altered when the INIT* terminal is grounded. (Refer to Baud rate and Checksum in Chapter 2).*



Example command: %310A310610(cr)
response: !24(cr)

The analog input module is configured from addresses 31h to a new address 0Ah, output range 4 to 20 mA, baud rate 9600, engineering units data format, a slew rate of 1.0 mA/sec and no checksum checking.

The response indicates that the command has been received.

4021**6.1.2 #AA**

Name	Analog Data Out command
Description	Send a value to the address of analog output module. Then, the analog output module will output this value.
Syntax	<p>#AA(data)(cr)</p> <p># is a delimiter character.</p> <p>AA (range 00-FF) represents the 2-character hexadecimal address of an analog output module.</p> <p>(data) is the value that has to be output through the analog output module. The Range and value depend on the module's configured data format. The possible formats are engineering units or % of FSR or hexadecimal. (Please refer to Appendix B, Data Formats and I/O Ranges.)</p> <p>(cr) is the terminating character, carriage return (0Dh).</p>
Response	<p>>(cr) if the command was valid.</p> <p>?AA(cr) if the sent value was out of range. Note that when the analog output module receives such a value, it will try to use a value which is close to the one received and within the module's configured range.</p> <p>There is no response if the module detects a syntax or communication error, or even if the specified address does not exist.</p> <p>> is a delimiter character.</p> <p>? delimiter character indicates that the command is invalid.</p> <p>AA (range 00-FF) represents the 2-character hexadecimal address of an analog output module.</p> <p>(cr) is the terminating character, carriage return (0Dh).</p>
Example	<p>command: #3315.000(cr) response: >(cr)</p> <p>The command sends the value 15 mA, which is converted to engineering units, to the address 33h of the analog output module. The analog output module responds with an output value of 15 mA which represents a valid command.</p> <p>command: #0A+030.00(cr) response: >(cr)</p> <p>The module is configured for an output range of 4 to 20 mA and a percent of span data format. The command sends the value 8.8 mA ($4 \text{ mA} + 0.30 \times 16 \text{ mA} = 8.8 \text{ mA}$) which is 30% of the span to the address 0Ah of analog output module. The analog output module responds with an output value of 8.8 mA which represents a valid command.</p> <p>command: #1B7FF(cr) response: >(cr)</p>

The command sends the hexadecimal value 7FF to the analog output module at address 1Bh. The module is configured to a 0 to 20 mA output range and a hexadecimal data format. It will output with a value of 10 mA ((7FFH/FFFH) x 20 mA = 10 mA).

4021

6.1.3 \$AA4

Name	Start-up Voltage/Current Output Configuration command
Description	Stores the present output value of an analog output module at address AA in the module's non-volatile register. The output value will take effect at start-up or after a brownout.
Syntax	\$AA4(cr) \$ is a delimiter character. AA (range 00-FF) represents the 2-character hexadecimal address of the analog output module whose output current is to be set. 4 is the Start-up Output Current Configuration command. (cr) is the terminating character, carriage return (0Dh).
Response	!AA(cr) if the command is valid. ?AA(cr) if an invalid command was issued. There is no response if the module detects a syntax or communication error, or even if the specified address does not exist. ! delimiter character indicates that a valid command was received. ? delimiter character indicates that the command was invalid. AA (range 00-FF) represents the 2-character hexadecimal address of the analog output module. (cr) is the terminating character, carriage return (0Dh).
Example	command: \$0A4(cr) response: !0A(cr) Presume the present output value of the analog output module at address 0A is 9.4 mA. The command tells the analog output module to store the present output value into non-volatile memory. When the module is at start-up or reset, its default output value will be 9.4mA. The response of the analog output module indicates that the command has been received.

Caution! *An analog output module requires a maximum of 6 milliseconds after it receives a Startup Voltage/Current Output Configuration command to let the settings take effect. During this interval, the module can not be addressed to perform any other actions.*



4021

6.1.4 \$AA3

Name	Trim Calibration command
Description	Trims the address of an analog output module for a specific number of units up or down.
Syntax	<p>\$AA3(number of counts)(cr)</p> <p>\$ is a delimiter character.</p> <p>AA (range 00-FF) represents the 2-character hexadecimal address which is to be calibrated.</p> <p>3 is the Trim Calibration Command.</p> <p>(number of counts) is the 2-character two's complement hexadecimal value that represents the number of counts increasing or decreasing the output current. Each count equals to approximately 1.5 μA. Values range from 00 to 5F and A1 to FF (hexadecimal). The 00 represents 0 counts, 5F represents +95 counts, A1 represents -95 counts and FF represents -1 count. Negative values decrease the output current according to the number of counts. On the other hand, the positive values do the opposite.</p> <p>(cr) is the terminating character, carriage return (0Dh).</p>
Response	<p>!AA(cr) if the command is valid.</p> <p>There is no response if the module detects a syntax or communication error, or even if the specified address does not exist.</p> <p>! delimiter character indicates that a valid command was received</p> <p>AA (range 00-FF) represents the 2-character hexadecimal address of the analog output module.</p> <p>(cr) is the terminating character, carriage return (0Dh).</p>
Example	<p>command: \$07314(cr)</p> <p>response: !07(cr)</p> <p>The command tells the analog output module at address 07h to increase its output value by 20 (14h) counts which are approximately 30 μA.</p> <p>The analog output module confirms the increase.</p> <p>In order to perform this trim calibration, a millimeter or a resistor and voltmeter should be connected to the module's output. (Please see the 4 mA Calibration command and 20 mA Calibration command of the analog output module's command set. Please also refer to Chapter 8, Calibration for a detailed description.)</p>

4021

6.1.5 \$AA0

Name	4 mA Calibration command
Description	Stores the current output value 4 mA for reference in the specified address in analog output module.
Syntax	\$AA0(cr) \$ is a delimiter character. AA (range 00-FF) represents the 2-character hexadecimal address whose data are to be sent. 0 is the 4 mA Calibration command. (cr) is the terminating character, carriage return (0Dh).
Response	!AA(cr) if the command was valid. ?AA(cr) if an invalid command was issued. There is no response if the module detects a syntax or communication error, or even if the specified address does not exist. ! delimiter character indicates that a valid command was received. ? delimiter character indicates that the command was invalid. AA (range 00-FF) represents the responding 2-character hexadecimal address of the analog output module. (cr) is the terminating character, carriage return (0Dh). Before issuing the 4 mA calibration command, the analog output module should be trimmed to the correct value with the Trim Calibration command. A millimeter or a resistor and voltmeter should be connected to the module's output. (Please refer to the analog output module's Trim Calibration command and Chapter 8, Calibration, for a detailed description.)

4021**6.1.6 \$AA1**

Name	20 mA Calibration command
Description	Stores the current output value 20 mA for reference in the specified address in analog output module.
Syntax	<p>\$AA0(cr)</p> <p>\$ is a delimiter character.</p> <p>AA (range 00-FF) represents the 2-character hexadecimal address whose data are to be sent.</p> <p>0 is the 20 mA Calibration command.</p> <p>(cr) is the terminating character, carriage return (0Dh).</p>
Response	<p>!AA(cr) if the command was valid.</p> <p>?AA(cr) if an invalid command was issued.</p> <p>There is no response if the module detects a syntax or communication error, or even if the specified address does not exist.</p> <p>! delimiter character indicates that a valid command was received.</p> <p>? delimiter character indicates that the command was invalid.</p> <p>AA (range 00-FF) represents the responding 2-character hexadecimal address of the analog output module.</p> <p>(cr) is the terminating character, carriage return (0Dh).</p> <p>Before issuing the 20 mA calibration command, the analog output module should be trimmed to the correct value with the Trim Calibration command. A millimeter or a resistor and voltmeter should be connected to the module's output.</p> <p>(Please refer to the analog output module's Trim Calibration command and Chapter 8, Calibration, for a detailed description.)</p>

*The subsequent chapter numbers need to be adjusted accordingly, and the contents should be updated.

4021

6.1.7 \$AA2

Name	Read Configuration Status command
Description	Instructs the analog output module to return its configuration data.
Syntax	\$AA2(cr) \$ is a delimiter character. AA (range 00-FF) represents the 2-character hexadecimal address for status reading. 2 is the Read Configuration Status command. (cr) is the terminating character, carriage return (0Dh).
Response	!AATCCFF(cr) if the command is valid. ?AA(cr) if an invalid command was issued. There is no response if the module detects a syntax or communication error, or even if the specified address does not exist. ! delimiter character indicates that a valid command was received. ? delimiter character indicates that the command was invalid. AA (range 00-FF) represents the 2-character hexadecimal address of an analog output module. TT represents the type of code, which determines the output range. CC represents the baud rate code. FF is a hexadecimal number that equals to 8-bit parameter representing the data format, slew rate, and checksum status. (cr) is the terminating character, carriage return (0Dh) Please refer to %AANNTTCCFF Configuration command (Page 6-3 and 6-4) for TT, CC and FF parameter definition.
Example	command: \$452(cr) response: !45300614(cr) The command asks the analog output module at address 45h to send its configuration data. The analog output module at address 45h responds with output range 0 to 20 mA, baud rate 9600, engineering units as the currently configured data format, slew rate 2 mA per second, and no checksum checking.

4021**6.1.8 \$AA6**

Name	Last Value Readback command
Description	The analog output module is instructed to return the latest output value that it has received from the Analog Data Out command. If the module hasn't received any Analog Data Out commands since startup, it will return to its Start-up Output value.
Syntax	<p>\$AA6(cr)</p> <p>\$ is a delimiter character.</p> <p>AA (range 00-FF) represents the 2-character hexadecimal address whose value you want to return.</p> <p>6 is the Last Value Readback command.</p> <p>(cr) is the terminating character, carriage return (0Dh).</p>
Response	<p>!AA(data)(cr) if the command was valid.</p> <p>?AA(cr) if an invalid command was issued.</p> <p>There is no response if the module detects a syntax or communication error, or even if the specified address does not exist.</p> <p>! delimiter character indicates that a valid command was received.</p> <p>? delimiter character indicates that the command was invalid.</p> <p>AA (range 00-FF) represents the 2-character hexadecimal address of the analog output module.</p> <p>(data) is the value that is returned by the analog output module. The format of the data depends on the module's configured data format.</p> <p>(cr) is the terminating character, carriage return (0Dh).</p>
Example	<p>command: \$0A6(cr)</p> <p>response: !0A03.000(cr)</p> <p>The command requests the analog output module at address 0Ah to return the last output value that it has received from an Analog Out command.</p> <p>The analog output module returns the value 3.000 mA.</p>

4021

6.1.9 \$AA8

Name	Current Readback command
Description	The addressed analog output module is instructed to measure the current flowing through its current/voltage loop and return the measured data in the module's configured data format. The value returned may be a rough estimate of the real value.
Syntax	\$AA8(cr) \$ is a delimiter character. AA (range 00-FF) represents the 2-character hexadecimal address of the analog output module that you want to retrieve the data from. The data are current/voltage loop. 8 is the Current feedback command. (cr) is the terminating character, carriage return (0Dh).
Response	!AA(data)(cr) if the command was valid. ?AA(cr) if an invalid command was issued. There is no response if the module detects a syntax or communication error, or even if the specified address does not exist. ! delimiter character indicates that a valid command was received. ? delimiter character indicates that the command was invalid. AA (range 00-FF) represents the 2-character hexadecimal address of the analog output module. (data) is the value returned by the analog output module. (cr) is the terminating character, carriage return (0Dh).
Example	command: \$0A8(cr) response: !0A18.773(cr) The command tells the analog output module at address 0Ah to measure its current loop and return the measured value. The analog output module returns the value 18.773 mA.

4021**6.1.10 \$AA5**

Name	Reset Status command
Description	Checks the Reset Status of the analog output module to see whether it has been reset since the last Reset Status command was issued.
Syntax	<p>\$AA5(cr)</p> <p>\$ is a delimiter character.</p> <p>AA (range 00-FF) represents the 2-character hexadecimal address of the analog output module whose Reset Status is to be returned.</p> <p>5 is the Reset Status command.</p> <p>(cr) is the terminating character, carriage return (0Dh).</p>
Response	<p>!AAS(cr) if the command was valid.</p> <p>?AA(cr) if an invalid command was issued.</p> <p>There is no response if the module detects a syntax or communication error, or even if the specified address does not exist.</p> <p>! delimiter character indicates that a valid command was received.</p> <p>? delimiter character indicates that the command was invalid.</p> <p>AA (range 00-FF) represents the 2-character hexadecimal address of the analog output module.</p> <p>S represents the Status bit which is returned by the analog output module. If S=1, the module is in reset mode since a Reset Status command had been issued already. If S=0, the module has not been reset since the last Reset Status command was not issued.</p> <p>(cr) is the terminating character, carriage return (0Dh).</p>
Example	<p>command: \$395(cr)</p> <p>response: !391(cr)</p> <p>The analog output module at address 39h was reset or powered up after the last execution of the Reset Status command. When the command is executed once more, the analog output module will reply with !390(cr)</p>

4021

6.1.11 \$AAF

Name	Read Firmware Version command
Description	The command requests the analog output module at address AA to return the version code of its firmware.
Syntax	\$AAF (cr) \$ is a delimiter character. AA (range 00-FF) represents the 2-character hexadecimal address that you want to access. F is the Read Firmware Version command. (cr) is the terminating character, carriage return (ODh).
Response	!AA(Version)(cr) if the command is valid. There is no response if the module detects a syntax or communication error, or if the specified address does not exist. ! is a delimiter character indicating that a valid command was received. AA (range 00-FF) represents the 2-character hexadecimal address of an analog output module. (Version) is the version code of the module's firmware at address AA. (cr) is the terminating character, carriage return (ODh).

4021**6.1.12 \$AAM**

Name	Read Module Name
Description	The command requests the analog output module at address AA to return its name
Syntax	\$AAM (cr) \$ is a delimiter character. AA (range 00-FF) represents the 2-character hexadecimal address that you want to access. M is the Read Module Name command. (cr) is the terminating character, carriage return (ODh)
Response	!AA(Module Name)(cr) if the command is valid. There is no response if the module detects a syntax or communication error, or even if the specified address does not exist. ! is a delimiter character indicating that a valid command was received. AA (range 00-FF) represents the 2-character hexadecimal address of an analog output module. (Module Name) is the name of the module at address AA. For example, 4021 (cr) is the terminating character, carriage return (ODh).

6.1.13 \$AAX0nnnn

Name	Watchdog Timer Setting
Syntax	\$ is a delimiter character. AA (range 00-FF) represents the 2-character hexadecimal address of the module. X0 is the Watchdog Timer Setting command nnnn (range 0000~9999) represents the specified value of communication cycle you want to set. (Unit: 0.1 second)
Response	>AA
Example	command: \$01X00032 response: >01

6.1.14 \$AAX1

Name	Read Watchdog Timer Setting
Syntax	\$ is a delimiter character. AA (range 00-FF) represents the 2-character hexadecimal address of the module. X1 is the Read Watchdog Timer Setting command
Response	!nnnn
Example	command: \$01X1 response:!0032

6.1.15 \$AAX2

Name	Read Safety Flag
Description	Returns a module's safety flag status to determine whether the safety value has been executed since the last write safety value command was set
Syntax	\$ is a delimiter character. AA (range 00-FF) represents the 2-character hexadecimal address of the module. X2 is the Read Safety Flag command
Response	!XX XX is two-hexadecimal character – (00: OFF, 01: ON)
Example	command: \$01X2 response:!01

6.1.16 \$AAS

Name	Safety Output Current or Voltage Configuration
Description	Stores the present output value of an analog output module at address AA in the module's non-volatile register. The output value will take effect after the Safety Flag is triggered.
Syntax	\$ is a delimiter character. AA (range 00-FF) represents the 2-character hexadecimal address of the module. S is the Safety Output Current Configuration command
Response	!AA
Example	command: \$01S response: !01

6.2 Analog Output Module Commands for ADAM-4024

Table 6.3: ADAM-4024 Command Review

Command Set	Function	Response	Example																																																							
%AANNTCCFF	Module Configuration : Set Address, Baud Rate, Check Sum AA : Current Module Address NN : New Module Address TT : Not Used For ADAM-4024 (Must Be 00) CC : Baud Rate Index <table border="1"> <tr><td>03</td><td>1200 bps</td></tr> <tr><td>04</td><td>2400 bps</td></tr> <tr><td>05</td><td>4800 bps</td></tr> <tr><td>06</td><td>9600 bps</td></tr> <tr><td>07</td><td>19200 bps</td></tr> <tr><td>08</td><td>38400 bps</td></tr> <tr><td>09</td><td>57600 bps</td></tr> <tr><td>0A</td><td>115200 bps</td></tr> </table> FF : Control the parameter listed below Bit 7: Reserved Bit 6: Check Sum: 0-Disable 1-Enable Bit 5 – 2 : Slew Rate (see table below) Bit 1 – 0 : Reserved Slew Rate: <table border="1"> <thead> <tr> <th></th> <th>Voltage</th> <th>Current</th> </tr> </thead> <tbody> <tr><td>00</td><td>immediately</td><td>immediately</td></tr> <tr><td>01</td><td>0.0625 V/sec</td><td>0.125 mA/sec</td></tr> <tr><td>02</td><td>0.125 V/sec</td><td>0.25 mA/sec</td></tr> <tr><td>03</td><td>0.25 V/sec</td><td>0.5 mA/sec</td></tr> <tr><td>04</td><td>0.5 V/sec</td><td>1.0 mA/sec</td></tr> <tr><td>05</td><td>1.0 V/sec</td><td>2.0 mA/sec</td></tr> <tr><td>06</td><td>2.0 V/sec</td><td>4.0 mA/sec</td></tr> <tr><td>07</td><td>4.0 V/sec</td><td>8.0 mA/sec</td></tr> <tr><td>08</td><td>8.0 V/sec</td><td>16.0 mA/sec</td></tr> <tr><td>09</td><td>16.0 V/sec</td><td>32.0 mA/sec</td></tr> <tr><td>0A</td><td>32.0 V/sec</td><td>64.0 mA/sec</td></tr> <tr><td>0B</td><td>64.0 V/sec</td><td>128.0 mA/sec</td></tr> </tbody> </table>	03	1200 bps	04	2400 bps	05	4800 bps	06	9600 bps	07	19200 bps	08	38400 bps	09	57600 bps	0A	115200 bps		Voltage	Current	00	immediately	immediately	01	0.0625 V/sec	0.125 mA/sec	02	0.125 V/sec	0.25 mA/sec	03	0.25 V/sec	0.5 mA/sec	04	0.5 V/sec	1.0 mA/sec	05	1.0 V/sec	2.0 mA/sec	06	2.0 V/sec	4.0 mA/sec	07	4.0 V/sec	8.0 mA/sec	08	8.0 V/sec	16.0 mA/sec	09	16.0 V/sec	32.0 mA/sec	0A	32.0 V/sec	64.0 mA/sec	0B	64.0 V/sec	128.0 mA/sec	!AA	%0203000600
03	1200 bps																																																									
04	2400 bps																																																									
05	4800 bps																																																									
06	9600 bps																																																									
07	19200 bps																																																									
08	38400 bps																																																									
09	57600 bps																																																									
0A	115200 bps																																																									
	Voltage	Current																																																								
00	immediately	immediately																																																								
01	0.0625 V/sec	0.125 mA/sec																																																								
02	0.125 V/sec	0.25 mA/sec																																																								
03	0.25 V/sec	0.5 mA/sec																																																								
04	0.5 V/sec	1.0 mA/sec																																																								
05	1.0 V/sec	2.0 mA/sec																																																								
06	2.0 V/sec	4.0 mA/sec																																																								
07	4.0 V/sec	8.0 mA/sec																																																								
08	8.0 V/sec	16.0 mA/sec																																																								
09	16.0 V/sec	32.0 mA/sec																																																								
0A	32.0 V/sec	64.0 mA/sec																																																								
0B	64.0 V/sec	128.0 mA/sec																																																								
#AACn(data)	Direct Output CHn Data	!AACn (data)	#02C2+07.456 #02C1-03.454 #02C0+11.234																																																							
#AASCn(data)	Set data As CHn Start Up Data	!AASCn (data)	#02SC2+07.456 #02SC1-03.454 #02SC0+11.234																																																							

Table 6.3: ADAM-4024 Command Review

#AAECn(data)	Set data As CHn Emergency Stop Data	!AAECn (data)	#02EC2 +07.456 #02EC1 -03.454 #02EC0 +11.234
##	Synchronous Sample IDI	No Response	##
\$AA0Cn	Set Current Trim Data As CHn 4m A Calibration Parameter/EEPROM	!AA	\$020C2
\$AA1Cn	Set Current Trim Data As CHn 20m A Calibration Parameter/EPROM	!AA	\$021C2
\$AA2	Read Back Module Status	!AATCCFF	\$022
\$AA3Cn(m)	Set Trim Data For CHn m :0 ~ 127 And If Negative Then Add 0x80 (m =xx) Ex.m=89 → -9 m=09 → +9	!AA	\$02308
\$AA4	Read Back The IDI Input By Synchronous Command (##)	!AAx	\$024
\$AA5	Checks the Reset Status of the analog output module to see whether it has been reset since the last Reset Status command was issued.	!AAS	\$025
\$AA6Cn	Read Back CHn Last Output Value	!AA(data)	\$026C2
\$AA7CnRxx	Set CHn Output Type AA : Current Module Address Cn : Channel C : Prefix Command String n = 0,1,2,3 Rxx : Output Type (Range) R : Prefix Command String xx = 32 -10 V ~ +10 V xx = 30 0 ~ 20 mA xx = 31 4 ~ 20 mA	!AA	\$027C2R32

Table 6.3: ADAM-4024 Command Review

\$AA8Cn	Read Back CHn Output Range	!AACnxx	\$027C2
\$AAACnZ	Enable/Disable (Z=1/0) CHn EMS Flag	!AA	\$02AC21 \$02AC20
\$AABCn	Read CHn EMS Flag	!AACn1 !AACn0	\$02BC2
\$AA DCn	Read Back CHn StartUp Data	!AA(data)	\$02DC2
\$AAECn	Read Back CHn Emergency Stop Data	!AA(data)	\$02EC2
\$AAF	Read Firmware Version	!AAAx.xx	\$02F
\$AAG	Reset Current Trim Data Variable To 0	!AA	\$02G
\$AAH	Read Current Trim Data Variable	!AAxx (xx=m)	\$02H
\$AAI	Read ID!	!AAx	\$02I
\$AAM	Read Module Name	!AA4024	\$02M
\$AANCn	Read Back CHn 4mA Calibration Parameter	!AAxx	\$02NC2
\$AAOCn	Read Back CHn 20mA Calibration Parameter	!AAxx	\$02OC2
\$AAPCn	Clear CHn 4mA Calibration Parameter / EEPROM	!AA	\$02PC2
\$AAQCn	Clear CHn 20mA Calibration Parameter / EEPROM	!AA	\$02QC2
\$AAX0nnnn	This command set the communication watchdog timer (WDT) cycle time. AA: (range 00-FF) 2-character hexadecimal address of the analog input module which is to be read. X0: the setting WDT command. Nnnn: (range 0000~9999) the specified value of communication cycle you want to set. (Unit: 0.1 second)	!AA	\$02X01234
\$AAX1	Read Communication Watchdog Timer Cycle Setting. AA: (range 00-FF) 2-character hexadecimal address of the analog input module which is to be read. X1: the reading WDT cycle command.	!AA	\$02X1

Chapter 7

I/O, Relay & Counter/
Frequency

7.1 Digital I/O and Relay Output Module Command

Command Syntax	Description	I/O Module
%AANNTTCCFF	Sets the address, input range, baud rate, and/or checksum status to a digital I/O module	4050, 4051, 4052, 4053, 4055, 4056S, 4056SO, 4060, 4068, 4069
\$AA6	Returns the values of digital I/O channels of the addressed module	4050, 4051, 4052, 4053, 4055, 4056S, 4056SO, 4060, 4068, 4069
#AAB(data)	Writes specified values to either a single channel or all channels simultaneously	4050, 4055, 4056S, 4056SO, 4060, 4068, 4069
##	Orders all digital I/O modules to sample their input values and store them in a special register	4050, 4051, 4052, 4053, 4060, 4068
\$AA4	Returns the value that was stored in the specified digital I/O module that was stored after an ## command	4050, 4051, 4052, 4053, 4060, 4068
\$AA2	Returns the configuration parameters for the specified digital I/O module	4050, 4051, 4052, 4053, 4055, 4056S, 4056SO, 4060, 4068, 4069
\$AA5	Indicates whether a specified digital I/O module was reset after the last time the \$AA5 command was issued	4050, 4051, 4052, 4053, 4055, 4056S, 4056SO, 4060, 4068, 4069
\$AAF	Returns firmware version code from the specified digital I/O module	4050, 4051, 4052, 4053, 4055, 4056S, 4056SO, 4060, 4068, 4069
\$AAM	Returns the module name from the specified digital I/O module	4050, 4051, 4052, 4053, 4055, 4056S, 4056SO, 4060, 4068, 4069
@AA	Returns the values of the digital I/O channel in the addressed module. This command is the same with \$AA6 command	4056S, 4056SO
\$AAX0TTTTDD	Forces the DO channels to safety status when communication is time-out and over pre-defined period.	4055, 4056SO, 4056SO, 4060, 4068, 4069
\$AAX1	Reads the time-out setting and pre-defined safety status of DO channels.	4055, 4056SO, 4056SO, 4060, 4068, 4069
\$AAX2	Requests the Safty Flag of the addressed digital I/O module to see whether the safety value has been executed since Write Safety Value command was set.	4055, 4056S, 4056SO, 4060, 4068
\$AAE0	Reads the Over Current Status Flag	4056SO
\$AAP	The command requests the module at address AA to return the low power status	4069
\$AAS	The command requests the module at address AA to set and return the low	4069

4050, 4051, 4052, 4053, 4055,
4056S, 4056SO, 4060, 4068, 4069

7.1.1 %AANTTCCFF

- Name** Configuration command
- Description** Configures address, baud rate and/or checksum status of the digital I/O module.
- Syntax** **%AANTTCCFF(cr)**
 % is a delimiter character.
AA (range 00-FF) represents the 2-character hexadecimal address which is to be configured.
NN represents the new hexadecimal address ranging from 00h to FFh of the digital I/O module.
TT represents the type of code that is always set to 40 for a digital I/O module.
CC represents the baud rate code.
 (Refer to Table 7-1 on next page)
FF is a hexadecimal number that equals to an 8-bit parameter that represents the checksum and protocol status. Bits 3 through 5 and bit 0, 1, 7 are not used and are being set to 0. (Refer to Figure 7-1 below)
 Bit 6 is the selection of checksum and bit 2 is the selection of protocol. (0: advantech; 1: modbus). (Modbus protocol is supported by ADAM-4052, 4051, 4055, 4056S, 4056SO, 4068 only)
(cr) is the terminating character, carriage return (0Dh).

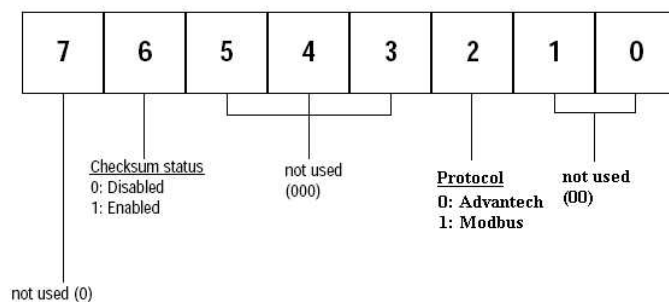



Figure 7.1 Data Format for FF (8-bit parameter)

Response **!AA (cr)** if the command is valid.
?AA(cr) if an invalid parameter was entered or the INIT* terminal was not grounded when changing baud rate or checksum settings were attempted.
There is no response if the module detects a syntax or communication error, or even if the specified address does not exist.
! is a delimiter character which indicates a received valid command.
? is a delimiter character which indicates an invalid command.
AA (range 00-FF) represents the 2-character hexadecimal address of a digital I/O module.
(cr) is the terminating character, carriage return (0Dh).

Example command: %2324400600(cr)
response: !24(cr)
The command tries to configure a module by changing address 23h to address 24h, assigning baud rate 9600, setting no checksum checking and supporting Advantech protocol.
The response indicates that the configuration was successful.

Table 7.1: Baud Rate Codes

Baud Rate Code (Hex)	Baud Rate
03	1200 bps
04	2400 bps
05	4800 bps
06	9600 bps
07	19.2 kbps
08	38.4 kbps
09	57.6 kbps
0A	115.2 kbps

Note!  *All configuration parameters can be changed dynamically, except checksum and baud rate parameters. They can only be altered when the INIT* terminal is grounded. (Please Refer to Baud rate and Checksum, in Chapter 2 for the correct procedure.)*

4050, 4051, 4052, 4053, 4055,
4056S, 4056SO, 4060, 4068, 4069

7.1.2 \$AA6

Name	Digital Data In command
Description	This command requests the specified (AA) module to return the status of its digital input channels and feedback value from its digital output channels.
Syntax	<p>\$AA6(cr) \$ is a delimiter character. AA (range 00-FF) represents the 2-character hexadecimal address of the module. 6 is the Digital Data In command. (cr) is the terminating character, carriage return (0Dh).</p>
Response	<p>!(dataOutput)(dataInput)00(cr) if the command was valid. (ADAM-4050) !(dataInput)00(cr) if the command was valid. (ADAM-4051) !(dataInput)0000(cr) if the command was valid. (ADAM-4052) !(dataInput)(dataInput) 00 (cr) if the command was valid. (ADAM-4053) !(dataOutput)(dataInput)00(cr) if the command was valid. (ADAM-4055) !(dataOutput)00(cr) if the command was valid. (ADAM-4056S/4056SO) !(dataOutput)0000(cr) if the command was valid. (ADAM-4060/4068) ?AA(cr) if an invalid command has been issued. There is no response if the module detects a syntax or communication error, or even if the specified address does not exist. ! delimiter character indicates that a valid command was received. ? delimiter character indicates that the command was invalid. AA (range 00-FF) represents the responding 2-character hexadecimal address of the module. (dataOutput) two-character hexadecimal value which is either the feedback of a digital output channel or a relay. For ADAM-4056S and ADAM-4056SO, it is four-character hexadecimal for representing 12 channel digital output. (dataInput) two-character hexadecimal value representing the input values of the digital I/O module. (cr) is the terminating character, carriage return (0Dh).</p>
Example	<p>command: \$336(cr) response: !112200(cr) This example is for ADAM-4050. The first two characters,</p>

11h (00010001), of the response indicates that digital output channels 0 and 4 are ON and channels 1, 2, 3, 5, 6, 7 are OFF. The second two characters of the response, 22h (00100010), indicates that digital input channels 1 and 5 are HIGH and channels 0, 2, 3, 4, 6, 7 are LOW.

command: \$036(cr)

response: !BEDE00(cr)

This example is for ADAM-4053. The first two characters, BEh (10111110), of the response indicates that digital input channels 8 and 14 are LOW and channels 9, 10, 11, 12, 13 and 15 are HIGH. The second two characters, DEh (11011110), of the response indicates that digital input channels 0 and 5 are LOW and channels 1, 2, 3, 4, 6, 7 are HIGH.

command: \$056(cr)

response: !017A00(cr)

This example is for ADAM-4056S or ADAM-4056SO. The first character of the response is always 0. The next three characters, 17A (000101111010), are the status of 12 channel digital outputs. The detail status is as below.

Digital value	0	0	0	1	0	1	1	1	1	0	1	0
ADAM-4056S/4056SO Channel no.	11	10	9	8	7	6	5	4	3	2	1	0

4050, 4055, 4056S,
4056SO, 4060, 4068, 4069

7.1.3 #AABB

- Name** Digital Data Out command
- Description** The command either sets a single digital output channel or sets all digital output channels simultaneously.
- Syntax** **#AABB(data)(cr)**
 # is a delimiter character.
AA (range 00-FF) represents the 2-character hexadecimal address of the output value.
BB is used to indicate whether all channels will be set or a single channel will be set. In the last case, BB will also indicate which channel it is. Writing data (a byte) to all channels should make both characters to be zero (BB=00). Writing data (a bit) to a single channel, however, will make the first character 1 and the second character ranging from 0 to B. The second character indicates the channel number.
(data) is the hexadecimal representation of the digital output value(s). Two characters are for ADAM-4050, ADAM-4055, ADAM-4060 and ADAM-4068. Four characters are for ADAM-4056S and 4056SO.
ADAM-4050, 4055, 4060 and 4068:
When writing to a single channel (bit), the first character is always 0. The value of the second character will be either 0 or 1.
When writing to all channels (byte), both characters are significant (range 00h-FFh). The digital equivalent of these two hexadecimal characters represents the value of the channels. The amount of channels on ADAM-4050, ADAM-4055, ADAM-4060 and ADAM-4068 differ. The value 7A representation for 8 channeled ADAM-4050, ADAM-4055 and ADAM-4068 would be the following:

Digital Value:	0	1	1	1	1	0	1	0
ADAM-4050/4055/4068 channel no.	7	6	5	4	3	2	1	0

Since the ADAM-4060 only has four output channels, all the relevant values lie between 00h and 0Fh. The value 0Ah for the ADAM-4060 would represent the following:

Digital Value:	0	0	0	0	1	0	1	0
ADAM-4060 channel no.	-	-	-	-	3	2	1	0

ADAM-4056S and 4056SO:

When writing to a single channel (bit), the first three characters are always 0. The value of the last character is either 0 or 1.

When writing to all channels (byte), the first character zero is irrelevant, but the rest are significant (range 000h-FFFh). The digital equivalent of last three hexadecimal characters represents the value of channels.

For example: 017A

First character is always 0

2nd~4th character means the the channel values 17A.

Digital value	0	0	0	1	0	1	1	1	1	0	1	0
Adam-4056S/4056SO channel no.	11	10	9	8	7	6	5	4	3	2	1	0

(cr) is the terminating character, carriage return (0Dh).

Response

>(cr) if the command was valid.

?AA(cr) if an invalid command has been issued.

There is no response if the module detects a syntax or communication error, or even if the specified address does not exist.

> is a delimiter character which indicates a valid command.

? is a delimiter character which indicates an invalid command.

AA (range 00-FF) represents the responding 2-character hexadecimal address of the module.

(cr) is the terminating character, carriage return (0Dh).

Examples

command: #140005(cr)

response: >(cr)

An output byte with value 05h (00000101) is sent to the digital I/O module at address 14h (Either ADAM-4050 or ADAM-4060). Its channel 0 and 2 will be set to ON.

Other channels are set to OFF.

command: #151201(cr)

response: >(cr)

An output bit with value 1 is sent to channel 2 at address 15h of a digital I/O module (Either ADAM-4050 or ADAM-4060).

Channel 2 of the digital I/O module is set to ON.

command: #1400017A(cr)

response: >(cr)

An output byte with value 017Ah (0000000101111010) is sent to the digital I/O module at address 14h (Either ADAM-4056S or ADAM-4056SO). Its channel 1, 3, 4, 5, 6, and 8 will be set to ON. Other channels are set to OFF.

command: #15120001(cr)

response: >(cr)

An output bit with value 1 is sent to channel 2 of a digital I/O module at address 15h (Either ADAM-4056S or ADAM-4056SO). Channel two of the digital I/O module is set to ON.

4050, 4051, 4052, 4053,
4060, 4068

7.1.4 #**

Name	Synchronized Sampling command
Description	Orders all (analog or digital) input modules to sample their input values and store them into a special register.
Syntax	#** # is a delimiter character. ** is the Synchronized Sampling command. The terminating character, in the form of a carriage return (0Dh), is not required.
Response	The digital I/O modules will not respond to the Synchronized Sampling command. In order to retrieve the data, you must execute a Read Synchronized Data command for every module separately.

4050, 4051, 4052, 4053, 4060

7.1.5 \$AA4

Name	Read Synchronized Data command
Description	The addressed digital I/O module is instructed to return the value that was stored in its register by a Synchronized Sampling command.
Syntax	\$AA4(cr) \$ is a delimiter character. AA (range 00-FF) represents the 2-character hexadecimal address of returning data. 4 is the Read Synchronized Data command. (cr) is the terminating character, carriage return (0Dh).
Response	!(status)(dataOutput)(dataInput)00(cr) if the command was valid. (ADAM-4050) !(status)(dataInput)00(cr) if the command was valid. (ADAM-4051) !(status)(dataInput)0000(cr) if the command was valid. (ADAM-4052) !(status)(dataInput)(dataInput)00(cr) if the command was valid. (ADAM-4053) !(status)(dataOutput)0000(cr) if the command was valid. (ADAM-4060/4068) ?AA(cr) if an invalid command has been issued. There is no response if the module detects a syntax or communication error, or even if the specified address does not exist. ! is a delimiter character which indicates a valid command. ? is a delimiter character which indicates an invalid command.

AA (range 00-FF) represents the responding 2-character hexadecimal address of the digital I/O module.
(status) will tell you if the data (data) from the last Synchronized Sampling command (***) have already been sent. If (status=1), data have only been sent for the first time after a Synchronized Sampling command was issued. If (status=0), then the data have been sent at least once since no Synchronized Sampling command was issued.
(dataOutput) two-character hexadecimal value which is either the feedback of a digital output channel or a relay.
(dataInput) two-character hexadecimal value representing the input values of the digital I/O module.
(cr) is the terminating character, carriage return (0Dh).

Example

command: \$064(cr)

response: !1055100(cr)

The command asks the ADAM-4050 digital I/O module at address 06h to send its digital input data that was gathered during the last Synchronized Sampling command. The module returns the value 1055100 with status equals to 1 which also represents that data have not been sent before. From inspection, the value has dataOutput = 05h (00000101), ON for digital output channels 0 and 2 and OFF for channels 1, 3, 4, 5, 6, 7. It also has dataInput = 51h (01010001) which represents HIGH for digital input channels 0, 4, 6 and LOW for channels 1, 2, 3, 4, 5. The digital I/O module responds with data = 055100 and status = 1. These mean that the data has been sent for the first time.

command: \$064(cr)

response: !0055100(cr)

The command asks the digital I/O module at address 06h to send its digital input data.

The digital I/O module responds with data = 055100 and status = 0, which means that it has sent the same data at least once before. This may also indicates that a previous Synchronized Sampling command was not received!

4050, 4051, 4052, 4053, 4055,
4056S, 4056SO, 4060, 4068, 4069

7.1.6 \$AA2

Name	Configuration Status command
Description	Returns the configuration parameters of the digital I/O module.
Syntax	<p>\$AA2(cr)</p> <p>\$ is a delimiter character.</p> <p>AA (range 00-FF) represents the 2-character hexadecimal address that you will access to.</p> <p>2 is Configuration Status command.</p> <p>(cr) is the terminating character, carriage return (0Dh).</p> <p>This command requests the return of the configuration data from the digital I/O module at address AA.</p>
Response	<p>!AATTCCFF(cr) if the command is valid.</p> <p>?AA(cr) if an invalid command has been issued.</p> <p>There is no response if the module detects a syntax or communication error, or even if the specified address does not exist.</p> <p>! is a delimiter character which indicates a valid command.</p> <p>? is a delimiter character which indicates an invalid command.</p> <p>AA (range 00-FF) represents the 2-character hexadecimal address of the module.</p> <p>TT represents the type of code, which is always 40.</p> <p>CC represents the baud rate codes. (Refer to Table 7-2 on next page).</p> <p>The hexadecimal number FF which is converted to a 8-bit parameter represents the checksum and protocol status . Bits 3 through 5 and bit 0, 1, 7 are not used, so they are set to 0. (Refer to Figure 7-2 on next page)</p> <p>Bit 6 is the selection of checksum and bit 2 is the selection of protocol (0: advantech, 1: modbus). (ADAM-4052 doesn't support Modbus protocol)</p> <p>(cr) is the terminating character, carriage return (0Dh).</p>
Example	<p>command: \$452 (cr)</p> <p>response: !45400600 (cr)</p> <p>The command asks the digital I/O module at address 45h to send its configuration data.</p> <p>The digital I/O module at address 45h responds with baud rate 9600, no checksum function and module supports for Advantech protocol.</p>

Table 7.2: Baud Rate Codes

Baud Rate Code (Hex)	Baud Rate
03	1200 bps
04	2400 bps
05	4800 bps
06	9600 bps
07	19.2 kbps
08	38.4 kbps
09	57.6 kbps
0A	115.2 kbps

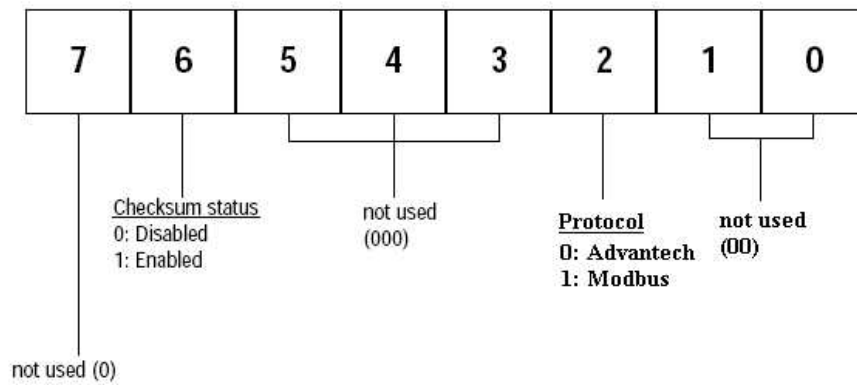


Figure 7.2 Data Format for FF (8-bit parameter)

4050, 4051, 4052, 4053, 4055,
4056S, 4056SO, 4060, 4068, 4069

7.1.7 \$AA5

Name	Reset Status command
Description	Requests the Reset Status of the addressed digital I/O module to see whether it has been reset since the last Reset Status command.
Syntax	<p>\$AA5(cr) \$ is a delimiter character. AA (range 00-FF) represents the 2-character hexadecimal address whose Reset Status is to be returned. 5 is the Reset Status command. (cr) is the terminating character, carriage return (0Dh).</p>
Response	<p>!AAS(cr) if the command was valid. ?AA(cr) if an invalid command has been issued. There is no response if the module detects a syntax or communication error, or even if the specified address does not exist. ! is a delimiter character which indicates a valid command. ? is a delimiter character which indicates an invalid command. AA (range 00-FF) represents the 2-character hexadecimal address which is to be calibrated. S represents the Status bit that is returned by the digital I/O module. If S=1, the module has been reset since it was issued last time. If S=0, the module has not been reset since the last Reset Status command was not issued. (cr) is the terminating character, carriage return (0Dh).</p>
Example	<p>command: \$395(cr) response: !390(cr) The command tells the digital I/O module at address 39h to return its Reset Status. The digital I/O module at address 39h returns the value S=0. This indicates that the digital I/O module has not been reset or powered on since a Reset Status command was issued last time.</p>

4050, 4051, 4052, 4053, 4055,
4056S, 4056SO, 4060, 4068, 4069

7.1.8 \$AAF

Name	Read Firmware Version command
Description	The command requests the digital I/O module at address AA to return the version code of its firmware
Syntax	\$AAF (cr) \$ is a delimiter character. AA (range 00-FF) represents the 2-character hexadecimal address that you will access to. F is the Read Firmware Version command. (cr) is the terminating character, carriage return (ODh).
Response	!AA(Version)(cr) if the command is valid. There is no response if the module detects a syntax or communication error, or even if the specified address does not exist. ! is a delimiter character which indicates a valid command. AA (range 00-FF) represents the 2-character hexadecimal address of the module. (Version) is the version code of the module's firmware at address AA. (cr) is the terminating character, carriage return (ODh).

4050, 4051, 4052, 4053, 4055,
4056S, 4056SO, 4060, 4068, 4069

7.1.9 \$AAM

Name	Read Module Name command
Description	The command requests the digital I/O module at address AA to return its name
Syntax	<p>\$AAM (cr)</p> <p>\$ is a delimiter character.</p> <p>AA (range 00-FF) represents the 2-character hexadecimal address that you will access to.</p> <p>M is the Read Module Name command.</p> <p>(cr) is the terminating character, carriage return (ODh).</p>
Response	<p>!AA(Module Name)(cr) if the command is valid.</p> <p>There is no response if the module detects a syntax or communication error, even or if the specified address does not exist.</p> <p>! is a delimiter character which indicates a valid command.</p> <p>AA (range 00-FF) represents the 2-character hexadecimal address of the module.</p> <p>(Module Name) is the name of the module at address AA.</p> <p>For example, 4052</p> <p>(cr) is the terminating character, carriage return (ODh).</p>

4055, 4056S, 4056SO,
4060, 4068, 4069

7.1.10 \$AAX0TTTTDD

Name Write Safety Value command
Description Forces the DO channels to safety status when communication is in time-out and over pre-defined period.
Syntax **\$AAX0TTTTDD(cr)**
\$ is a delimiter character.
AA (range 00-FF) represents the 2-character hexadecimal address that you will access to.
X0 is the Write Safety Value command.
TTTT is the time divided by 100ms and shown in hexadecimal number

For total DO channels <= 8:

DD is the two-hexadecimal character representing the desired input safety value.

For Example, 1F

The meaning of 1F is as follows:

Digital value	0	0	0	1	1	1	1	1
ADAM-4060 channel no.	7	6	5	4	3	2	1	0

1F means that the status of channel 1, 2, 3, 4, 5 is ON; and the rest are OFF.

For total DO channels > 8:

DDDD is the four-hexadecimal character representing the desired input safety value. The first character D is always 0, and the others are the channels values.

For Example, 017A

First character is always 0

The meaning of 17A is as follows: (original table)

17A means that the status of channel 1, 3, 4, 5, 6, 8 is ON; and the rest are OFF.

(cr) is the terminating character, carriage return (0Dh).

Response **>(cr)** if the command was valid.

?AA(cr) if an invalid command has been issued.

There is no response if the module detects a syntax or communication error, or even if the specified address does not exist.

> is a delimiter character which indicates a valid command.

? is a delimiter character which indicates an invalid command.

AA (range 00-FF) represents the responding 2-character hexadecimal address of the module.

(cr) is the terminating character, carriage return (0Dh).

4055, 4056S, 4056SO,4060, 4068, 4069**7.1.11 \$AAX1**

Name Read Safety Value command

Description Reads the time-out setting and pre-defined safety status of DO channels.

Syntax **\$AAX1(cr)**
\$ is a delimiter character.
AA (range 00-FF) represents the 2-character hexadecimal address that you will access to.
X1 is the Read Safety Value command.
(cr) is the terminating character, carriage return (0Dh).

Response For total DO channels ≤ 8 :
!TTTTDD(cr) if the command is valid.
For total DO channels > 8 :
!TTTTDDDD(cr) if the command is valid.
?AA(cr) if an invalid command has been issued.
! is a delimiter character which indicates a valid command.
? is a delimiter character which indicates an invalid command.
TTTT is the time, 100 ms per number.

For total DO channels ≤ 8 :

DD is the two-hexadecimal character representing the desired input safety value.

For Example, 1F

The meaning of 1F is as follows:

Digital value	0	0	0	1	1	1	1	1
ADAM-4060 channel no.	7	6	5	4	3	2	1	0

1F means that the status of channel 1, 2, 3, 4, 5 is ON;
and the rest are OFF.

For total DO channels > 8 :

DDDD is the four-hexadecimal character representing the desired input safety value. The first character D is always 0, and the others are the channels values.

For Example, 017A

First character is always 0

The meaning of 17A is as follows:

Digital value	0	0	0	1	0	1	1	1	1	0	1	0
ADAM-4060 channel no.	11	10	9	8	7	6	5	4	3	2	1	0

17A means that the status of channel 1, 3, 4, 5, 6, 8 is ON;
and the rest are OFF.

4055, 4056S, 4056SO,

4060, 4068, 4069

7.1.12 \$AAX2

Name	Read Safety Flag command
Description	Requests the Safety Flag of the addressed digital I/O module to see whether the safety value has been executed since Write Safety Value command was set.
Syntax	\$AAX2(cr) \$ is a delimiter character. AA (range 00-FF) represents the 2-character hexadecimal address that you will access to. X2 is the Read Safety Flag command.
Response	!XX (cr) if the command is valid. XX is two-hexadecimal character – (00: OFF, 01: ON) !X (cr) for ADAM-4068 X is one-hexadecimal character – (0: OFF, 1: ON) !00(cr) for ADAM-4069 response will show 00 regardless of its status . ?AA(cr) if an invalid command has been issued. ! is a delimiter character which indicates a valid command. ? is a delimiter character which indicates an invalid command. (cr) is the terminating character, carriage return (ODh).

4056SO

7.1.13 \$AAE0

Name	Read and Clear over Current Status Flag command
Description	Reads the Over Current Status Flag and Clear the Flag simultaneously.
Syntax	\$AAE0(cr) \$ is a delimiter character. AA (range 00-FF) represents the 2-character hexadecimal address that you will access to. E0 is the Read and Clear over Current Status Flag command. (cr) is the terminating character, carriage return (ODh).
Response	!AAX(cr) : if the command is valid. ?AA(cr) : if an invalid command has been issued. X is one-hexadecimal character (range from 0 to 7) X=0 : No over current occur X=1 : DO0~3 has over current occurred X=2 : DO4~7 has over current occurred X=4 : DO8~11 has over current occurred ! is a delimiter character which indicates a valid command ? is a delimiter character which indicates an invalid command (cr) is the terminating character, carriage return (ODh).

4069**7.1.14 \$AAP**

Name	Read the Low Power Status of Module command
Description	The command requests the module at address AA to return the low power status of module
Syntax	<p>\$AAP(cr)</p> <p>\$ is a delimiter character.</p> <p>AA (range 00-FF) represents the 2-character hexadecimal address that you will access to.</p> <p>P is the Read the Low Power Status of Module command.</p> <p>(cr) is the terminating character, carriage return (0Dh).</p>
Response	<p>!AAS(cr) if the command was valid.</p> <p>?AA(cr) if an invalid command has been issued.</p> <p>There is no response if the module detects a syntax or communication error, or even if the specified address does not exist.</p> <p>! is a delimiter character which indicates a valid command</p> <p>? is a delimiter character which indicates an invalid command</p> <p>AA (range 00-FF) represents the calibrated 2-character hexadecimal address of the module.</p> <p>S represents the Status bit from the low power status. When the logic equals to 1, it represents low power. When it equals to zero, it means normal.</p> <p>(cr) is the terminating character, carriage return (0Dh).</p>

7.1.15 AAS

Name	Change and Read the Low Power Mode of Module command
Description	The command requests the module at address AA to change and return the status of low power mode of module
Syntax	\$AAS(cr) \$ is a delimiter character. AA (range 00-FF) represents the 2-character hexadecimal address that you will access to. S is the Change and Read the Low Power Mode of Module command (cr) is the terminating character, carriage return (0Dh).
Response	!AAX(cr) if the command was valid. ?AA(cr) if an invalid command has been issued. There is no response if the module detects a syntax or communication error, or even if the specified address does not exist. ! is a delimiter character which indicates a valid command ? is a delimiter character which indicates an invalid command AA (range 00-FF) represents the calibrated 2-character hexadecimal address of the module. X represents the Status bit from the low power status. When the logic is 1, it represents low power. However, if the logic is 0, it is normal (cr) is the terminating character, carriage return (0Dh).

4052, 4055, 4056S,

4068, 4069

7.1.16 \$AAXnnnn

Name	Watchdog Timer Setting command
Description	This command sets the communication watchdog timer (WDT) cycle time.
Syntax	<p>\$AAXnnnn(cr)</p> <p>\$ is a delimiter character.</p> <p>AA (range 00-FF) represents the 2-character hexadecimal address of the analog input module which is to be read.</p> <p>X is Watchdog Timer Setting command.</p> <p>nnnn (range 0000~9999) represents the specified value of communication cycle you want to set. (Unit: 0.1 second)</p> <p>(cr) is the terminating character, carriage return (0Dh).</p>
Response	<p>!AA(cr) if the command was valid.</p> <p>?AA(cr) if an invalid operation was entered.</p> <p>There is no response if the module detects a syntax error or communication error or if the specified address does not exist.</p> <p>! delimiter character indicates a valid command was received.</p> <p>? delimiter character indicates the command was invalid.</p> <p>AA (range 00-FF) represents the 2-character hexadecimal address of the analog input module.</p> <p>(cr) represents terminating character, carriage return (0Dh).</p>
Example	<p>command: \$02X1234(cr)</p> <p>response: !02(cr)</p> <p>The command set the WDT cycle as 1234 in the input module at address 02.</p>

Caution! *If the value of “nnnn” is 0000, the communication WDT function will be disabled. WDT cycle time can not be the same as the utility scan interval.*



4052, 4055, 4056S,

4068, 4069

7.1.17 \$AAY

Name Read Communication Watchdog Timer Cycle Setting command

Description This command reads the setting of communication watchdog timer (WDT) cycle time.

Syntax \$AAY(cr)

\$ is a delimiter character.

AA (range 00-FF) represents the 2-character hexadecimal address of the analog input module which is to be read.

Y is the Read Communication Watchdog Timer Cycle Setting command.

(cr) is the terminating character, carriage return (0Dh).

Response !AAnnnn(cr) if the command was valid.

?AA(cr) if an invalid operation was entered.

There is no response if the module detects a syntax error or communication error or if the specified address does not exist.

! delimiter character indicates a valid command was received.

? delimiter character indicates the command was invalid.

AA (range 00-FF) represents the 2-character hexadecimal address of the analog input module.

nnnn (range 0000~9999) represent the specified value of communication cycle you read. (Unit: 0.1 second)

(cr) represents terminating character, carriage return (0Dh).

Example command: \$02Y(cr)

response: !020030(cr)

The command read the WDT cycle as 0030 in the input module at address 02.

7.2 Counter/Frequency Module Command

7.2.1 Configuration, Counter Input and Display Command Set

Command Syntax	Description	I/O Module
%AANNTTCCFF	Sets the address, input mode, baud rate, checksum status and/or frequency gate time for a specified counter/frequency module	4080
\$AA2	Requests the return of the configuration data from the counter/frequency module	4080
\$AAF	Requests the counter/frequency module to return the version code of its firmware	4080
\$AAM	Requests the counter/frequency module to return its name	4080
\$AABS	Set the input signal mode of the specified counter/frequency module to either non-isolated (TTL) or photo-isolated.	4080
\$AAB	Read the input mode of the specified counter/frequency module.	4080
#AAN	Instructs the addressed counter/ frequency module to read the counter or frequency value of counter 0 or counter 1 and return the acquired data.	4080

4080

7.2.1.1 %AANNTTCCFF

Name Configuration command

Description Sets the address, input mode, baud rate, checksum status and frequency gate time for a specified counter/frequency module

Syntax **%AANNTTCCFF (cr)**
 % is a delimiter character.
AA (range 00-FF) represents the 2-character hexadecimal address that you will access to.
NN represents the new hexadecimal address of the counter/frequency module. Range is from 00h to FFh.
TT represents the input mode.
 50h : counter input mode
 51h : frequency measurement mode
CC represents the baud rate code.
 (Refer to Table 7-3 on next page).
 Hexadecimal value FF which is converted to an 8-bit parameter represents the checksum status and frequency gate time. The layout of the 8-bit parameter is shown in Figure 7-3 below.
 Bits 0, 1, 3, 4, 5 and 7 are not used and are set to 0.
(cr) is the terminating character, carriage return (0Dh).

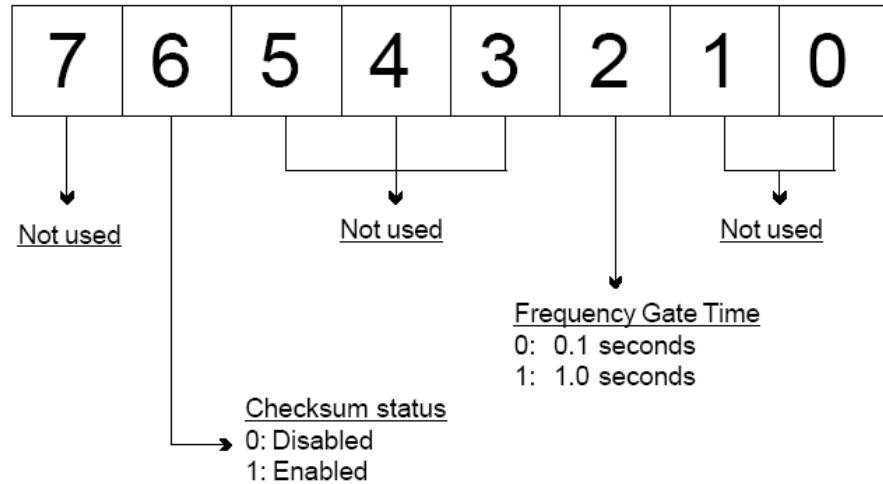


Figure 7.3 Data format for FF (8-bit parameter)

Response **AA(cr)** if the command is valid.
?AA(cr) if an invalid parameter was entered or the INIT* terminal was not grounded when changing baud rate or checksum setting were attempted.
 There is no response if the module detects a syntax or communication error, or even if the specified address does not exist.
 ! is a delimiter character which indicates a valid command.
 ? is a delimiter character which indicates an invalid command.
AA (range 00-FF) represents the 2-character hexadecimal address of the module.
(cr) is the terminating character, carriage return (0Dh).

Example command: %0120510600(cr)
 response: !20(cr)
 The ADAM 4080D module is configured by changing address 01 to a new address 20, choosing frequency measurement module, assigning 9600 to baud rate, setting frequency gate time 0.1 second and no checksum checking or generation.
 The response indicates that the command was received.
 Wait seven seconds to let the new configuration settings take effect before you issue a new command to the module.

Table 7.3: Baud Rate Codes

Baud Rate Code (Hex)	Baud Rate
03	1200 bps
04	2400 bps
05	4800 bps
06	9600 bps
07	19.2 kbps
08	38.4 kbps

Caution! You can change all configuration parameters dynamically except checksum and baud rate parameters. They can only be altered when the INIT* terminal is grounded.



4080

7.2.1.2 \$AA2

Name	Configuration Status command
Description	The command requests the return of the configuration data from the counter/frequency module at address AA.
Syntax	<p>\$AA2(cr)</p> <p>\$ is a delimiter character.</p> <p>AA (range 00-FF) represents the 2-character hexadecimal address that you will access to.</p> <p>2 is the Configuration Status command.</p> <p>(cr) is the terminating character, carriage return (0Dh).</p>
Response	<p>!AATTCCFF (cr) if the command is valid.</p> <p>?AA(cr) if an invalid operation was entered</p> <p>There is no response if the module detects a syntax or communication error, or even if the specified address does not exist.</p> <p>! is a delimiter character which indicates a valid command.</p> <p>? is a delimiter character which indicates an invalid command.</p> <p>AA (range 00-FF) represents the 2-character hexadecimal that you will access to.</p> <p>TT (50h or 51h) represents the type of code. 50h means using module as a counter. 51h means using module as a frequency measurement module.</p> <p>CC represents the baud rate code.</p> <p>Hexadecimal value FF which also equals to an 8-bit parameter represents the checksum status and frequency gate time. The layout of the 8-bit parameter is shown in figure 4-5. The bits are not used and are set to 0.</p> <p>(cr) is the terminating character, carriage return (0Dh)</p> <p>(Also see the %AANNTTCCFF configuration command)</p>

4080

7.2.1.3 \$AAF

Name	Read Version command
Description	The command requests the analog input module at address AA to return the version code of its firmware.
Syntax	\$AAF (cr) \$ is a delimiter character. AA (range 00-FF) represents the 2-character hexadecimal address that you will access to. F is the Read Version command. (cr) is the terminating character, carriage return (0Dh).
Response	!AA(Version)(cr) if the command is valid. There is no response if the module detects a syntax or communication error, or even if the specified address does not exist. ! is a delimiter character which indicates a valid command. AA (range 00-FF) represents the 2-character hexadecimal address of the module. (Version) is the version code of the module's firmware at address AA. (cr) is the terminating character, carriage return (0Dh).

4080

7.2.1.4 \$AAM

Name	Read Module Name command
Description	The command requests the counter/frequency module at address AA to return its name
Syntax	\$AAM (cr) \$ is a delimiter character. AA (range 00-FF) represents the 2-character hexadecimal address that you will access to. M is the Read Module Name command. (cr) is the terminating character, carriage return (0Dh).
Response	!AA(Module Name)(cr) if the command is valid. There is no response if the module detects a syntax or communication error, or even if the specified address does not exist. ! is a delimiter character which indicates a valid command. AA (range 00-FF) represents the 2-character hexadecimal address of the module. (Module Name) is the name of the module at address AA. For example, 4080D (cr) is the terminating character, carriage return (0Dh).

4080**7.2.1.5 \$AABS**

Name	Set Input Mode command
Description	Sets the input signal mode of the specified counter/frequency module to either non-isolated (TTL) or photo-isolated.
Syntax	<p>\$AABS(cr)</p> <p>\$ is a delimiter character.</p> <p>AA (range 00-FF) represents the 2-character hexadecimal address that you will access to.</p> <p>B is the Set Input Signal Mode command.</p> <p>S indicates the input signal mode. When S = 0, the module is configured to non-isolated (TTL) input. If S = 1, the module is configured to photo-isolated input.</p> <p>(cr) is the terminating character, carriage return (0Dh).</p>
Response	<p>!AA(cr) if the command is valid.</p> <p>There is no response if the module detects a syntax or communication error, or even if the specified address does not exist.</p> <p>! is a delimiter character which indicates a valid command.</p> <p>AA (range 00-FF) represents the 2-character hexadecimal address of the module.</p> <p>(cr) is the terminating character, carriage return (0Dh).</p>
Example	<p>command: \$03B0(cr)</p> <p>response: !03(cr)</p> <p>The command configures the counter/frequency modules at address 03 to retrieve a non-isolated input. The module replies by sending its address to indicate that the command was executed.</p>

Caution! *The input mode command is not related to a specific channel. When the input mode is set, both channels are changed accordingly.*



4080

7.2.1.6 \$AAB

Name Read Input Mode command

Description Reads the input mode of the specified counter/frequency module.

Syntax \$AAB(cr)

\$ is a delimiter character.

AA (range 00-FF) represents the 2-character hexadecimal address that you will access to.

B is the Read Input Mode command.

(cr) is the terminating character, carriage return (0Dh).

Response ! AAS(cr) if the command is valid.

There is no response if the module detects a syntax or communication error, or even if the specified address does not exist.

! is a delimiter character which indicates a valid command.

AA (range 00-FF) represents the 2-character hexadecimal address of the module.

S indicates the input signal mode. When S = 0, the module is configured to non-isolated (TTL) input. If S = 1, the module is configured to photo-isolated input.

(cr) is the terminating character, carriage return (0Dh).

Example command: \$03B(cr)

response: !030(cr)

The command requests the counter/frequency module at address 03 to return its input mode. The module replies by setting the input mode to retrieve non-isolated input.

4080**7.2.1.7 #AAN**

Name	Counter or Frequency Value command
Description	Instructs the addressed counter/frequency module at address AA to read the counter or frequency value of counter 0 or counter 1 and return the acquired data.
Syntax	<p>#AAN(cr)</p> <p># is a delimiter character.</p> <p>AA (range 00-FF) represents the 2-character hexadecimal address that you will access to.</p> <p>N represents the counter number.</p> <p>N=0 represents counter 0</p> <p>N=1 represents counter 1</p> <p>(cr) is the terminating character, carriage return (0Dh).</p>
Response	<p>>data(cr) if the command is valid.</p> <p>?AA(cr) if an invalid operation was entered.</p> <p>There is no response if the module detects a syntax or communication error, or even if the specified address does not exist.</p> <p>? is a delimiter character which indicates an invalid command.</p> <p>AA (range 00-FF) represents the 2-character hexadecimal address of the module.</p> <p>(data) is the value that is retrieved by the module from reading counter 0 or counter 1. The data format consists of eight hexadecimal characters.</p> <p>(cr) is the terminating character, carriage return (0Dh).</p>
Example	<p>command: #120(cr)</p> <p>response: >000002FE(cr)</p> <p>The command requests the counter/frequency module at address 12 to read the counter 0 and return the data. The counter/frequency module at address 12 responds with value 000002FE (hexadecimal) of counter 0 which is also equivalent to 766 (decimal).</p>

7.2.2 Counter Setup Command Set

Command Syntax	Command Name	Description	I/O Module
\$AAAG	Set Gate Mode	Requests the specified counter/frequency module to set its gate mode to either high, low or disabled	4080
\$AAA	Read Gate Mode	Requests the specified counter/frequency module to return the status of its gate mode	4080
\$AA3N(data)	Set Maximum Counter Value	Sets the maximum value of counter 0 or counter 1 for the specified counter/frequency module	4080
\$AA3N	Read Maximum Counter Value	Reads the maximum value of counter 0 or counter 1 of the specified counter/frequency module	4080
\$AA5NS	Start/Stop Counter	The command orders the specified counter/frequency module to start or stop counting	4080
\$AA5N	Read Counter Start/Stop Status	The addressed counter frequency module returns its status indicating whether counting is enabled or disabled	4080
\$AA6N	Clear Counter	The command clears the counter 0 or counter 1 of the specified counter module	4080
\$AA7N	Read Overflow Flag	The addressed module returns the status of the overflow flag of counter 0 or counter 1	4080

4080**7.2.2.1 \$AAAG**

Name	Set Gate Mode command
Description	Requests the specified counter/frequency module to set its gate to one of the three states, high, low or disabled.
Syntax	<p>\$AAAG(cr)</p> <p>\$ is a delimiter character.</p> <p>AA (range 00-FF) represents the 2-character hexadecimal address that you will access to.</p> <p>A is the Gate Mode command.</p> <p>G determines the gate mode:</p> <p>G = 0 the gate is low</p> <p>G = 1 the gate is high</p> <p>G = 2 the gate is disabled</p> <p>(cr) is the terminating character, carriage return (0Dh).</p>
Response	<p>!AA(cr) if the command is valid.</p> <p>There is no response if the module detects a syntax or communication error, or even if the specified address does not exist.</p> <p>! is a delimiter character which indicates a valid command.</p> <p>AA (range 00-FF) represents the 2-character hexadecimal address of the module.</p> <p>(cr) is the terminating character, carriage return (0Dh).</p>
Example	<p>command: \$01A1(cr)</p> <p>response: !01(cr)</p> <p>The command requests the counter/frequency module at address 01 to set its gate high. The module will reply with an address indicating that it has executed the command.</p>

4080

7.2.2.2 \$AAA

Name	Read Gate Mode command
Description	Requests the specified counter/frequency module to return its gate status.
Syntax	\$AAA(cr) \$ is a delimiter character. AA (range 00-FF) represents the 2-character hexadecimal address that you will access to. A is the Read Gate Mode command. (cr) is the terminating character, carriage return (0Dh).
Response	!AAG(cr) if the command is valid. There is no response if the module detects a syntax or communication error, or even if the specified address does not exist. ! is a delimiter character which indicates a valid command. AA (range 00-FF) represents the 2-character hexadecimal address of the module. G determines the gate mode. G = 0 the gate is low G = 1 the gate is high G = 2 the gate is disabled. (cr) is the terminating character, carriage return (0Dh).
Example	command: \$01A(cr) response: !011(cr) The command requests the counter/frequency module to return its gate status. The module at address 01 replies with gate setting high.

4080**7.2.2.3 \$AA3N(data)**

Name	Set Maximum Counter Value command
Description	Sets the maximum value for either counter 0 or counter 1 of a specified counter/frequency module.
Syntax	<p>\$AA3N(data)(cr)</p> <p>\$ is a delimiter character.</p> <p>AA (range 00-FF) represents the 2-character hexadecimal address that you will access to.</p> <p>3 is the Set Maximum Counter Value command.</p> <p>N determines the counter for which the maximum counter value is to be set.</p> <p>N = 0 represents counter 0</p> <p>N = 1 represents counter 1</p> <p>(data) is the maximum count value which consists of eight hexadecimal digits. The module will accumulate the input counts until it reaches the maximum value. When the count exceeds the maximum counter value, the counter will stop counting. The programmer should use the command \$AA6N to reset the counter to 1.</p> <p>(cr) is the terminating character, carriage return (0Dh).</p>
Response	<p>!AA(cr) if the command is valid.</p> <p>?AA(cr) if an invalid operation was entered.</p> <p>There is no response if the module detects a syntax or communication error, or even if the specified address does not exist.</p> <p>! is a delimiter character which indicates a valid command.</p> <p>? is a delimiter character which indicates an invalid command.</p> <p>AA (range 00-FF) represents the 2-character hexadecimal address of the module.</p> <p>(cr) is the terminating character, carriage return (0Dh).</p>
Example	<p>command: \$24300000ffff(cr)</p> <p>response: !24(cr)</p> <p>The command requests the counter/frequency module at address 24 to set the maximum value for counter 0 to 65535 (0x0000ffff). The module will reply that it has executed the command.</p>

4080

7.2.2.4 \$AA3N

Name	Read Maximum Counter Value command
Description	Reads the maximum value of counter 0 or counter 1 for a specified counter/frequency module.
Syntax	\$AA3N(cr) \$ is a delimiter character. AA (range 00-FF) represents the 2-character hexadecimal address that you will access to. 3 is the Read Maximum Counter Value command. N determines the counter for which the maximum counter value is to be set. N = 0 represents counter 0 N = 1 represents counter 1 (cr) is the terminating character, carriage return (0Dh).
Response	!AA(data)(cr) if the command is valid. ?AA(cr) if an invalid operation was entered. There is no response if the module detects a syntax or communication error, or even if the specified address does not exist. ! is a delimiter character which indicates a valid command. ? is a delimiter character which indicates an invalid command. AA (range 00-FF) represents the 2-character hexadecimal address of the module. (data) is the maximum counter value which consists of eight hexadecimal digitals. (cr) is the terminating character, carriage return (0Dh).
Example	command: \$2430(cr) response: !240000ffff(cr) The command requests the counter/frequency module at address 24 for the maximum number of counter 0. The module replies the maximum count number of channel 0 with 65535 (0000ffff)

4080**7.2.2.5 \$AA5NS**

Name	Start/Stop Counter command
Description	Requests the counter/frequency module to start or stop the counting for either counter 0 or counter 1.
Syntax	<p>\$AA5NS(cr)</p> <p>\$ is a delimiter character.</p> <p>AA (range 00-FF) represents the 2-character hexadecimal address that you will access to.</p> <p>5 is the Start/Stop Counter command.</p> <p>N determines the counter that should be either enabled or disabled.</p> <p>N = 0 represents counter 0</p> <p>N = 1 represents counter 1</p> <p>S represents the counter status.</p> <p>S = 0 stops counting</p> <p>S = 1 starts counting</p> <p>(cr) is the terminating character, carriage return (0Dh).</p>
Response	<p>!AA(cr) if the command is valid. There is no response if the module detects a syntax or communication error, or even if the specified address does not exist.</p> <p>! is a delimiter character which indicates a valid command.</p> <p>AA (range 00-FF) represents the 2-character hexadecimal address of a counter input module.</p> <p>(cr) is the terminating character, carriage return (0Dh).</p>
Example	<p>command: \$06501(cr)</p> <p>response: !06(cr)</p> <p>The command requests the counter 0 of counter/frequency module at address 06 to start. The addressed module replies with its address indicating that the command has been executed. Counter 0 has started.</p>

4080

7.2.2.6 \$AA5N

Name	Read Counter Start/Stop Status command
Description	Requests the addressed counter/frequency module to indicate whether counter 0 or counter 1 is active.
Syntax	\$AA5N(cr) \$ is a delimiter character. AA (range 00-FF) represents the 2-character hexadecimal address that you will access to. 5 is the Read Counter Start/Stop Status command. N determines the counter for which the status should be returned. N = 0 represents counter 0 N = 1 represents counter 1 (cr) is the terminating character, carriage return (0Dh).
Response	!AAS(cr) if the command is valid. There is no response if the module detects a syntax or communication error, or even if the specified address does not exist. ! is a delimiter character which indicates a valid command. AA (range 00-FF) represents the 2-character hexadecimal address of the module. S represents the counter status. S = 1 indicates the status is counting S = 0 indicates the status is not counting (cr) is the terminating character, carriage return (0Dh).
Example	command: \$0650(cr) response: !061(cr) The command requests the counter/frequency module at address 06 to return the status of counter 0. The module replies that the counter 0 is in the counting process.

4080**7.2.2.7 \$AA6N**

Name	Clear Counter command
Description	Clears the counter 0 or counter 1 of the specified counter/frequency module.
Syntax	<p>\$AA6N(cr)</p> <p>\$ is a delimiter character.</p> <p>AA (range 00-FF) represents the 2-character hexadecimal address that you will access to.</p> <p>6 is the Clear Counter command.</p> <p>N determines the counter which should be cleared.</p> <p>N = 0 represents counter 0</p> <p>N = 1 represents counter 1</p> <p>(cr) is the terminating character, carriage return (0Dh).</p>
Response	<p>!AA(cr) if the command is valid.</p> <p>There is no response if the module detects a syntax or communication error, or even if the specified address does not exist.</p> <p>! is a delimiter character which indicates a valid command.</p> <p>AA (range 00-FF) represents the 2-character hexadecimal address of the module.</p> <p>(cr) is the terminating character, carriage return (0Dh).</p>
Example	<p>command: \$1361(cr)</p> <p>response: !13(cr)</p> <p>The command requests the counter/frequency module at address 13 to clear counter 1. The module replies with its address indicating that the counter has been cleared.</p>

4080

7.2.2.8 \$AA7N

Name Read/Clear Overflow Flag command

Description The command requests the module to return the status of the overflow flag for either counter 0 or counter 1. Then clear the flag afterwards.

Syntax **\$AA7N(cr)**
\$ is a delimiter character.
AA (range 00-FF) represents the 2-character hexadecimal address that you will access to.
7 is the Read/Clear Overflow Flag command.
N determines the channel whose overflow flag status should be read and cleared. When N = 0, it represents counter 0. On the other hand, N = 1 represents counter 1
(cr) is the terminating character, carriage return (0Dh).

Response **!AAV(cr)** if the command is valid.
?AA(cr) if an invalid operation was entered.
There is no response if the module detects a syntax or communication error, or even if the specified address does not exist.
! is a delimiter character which indicates a valid command.
? is a delimiter character which indicates an invalid command .
AA (range 00-FF) represents the 2-character hexadecimal address of the module.
V represents the status of the Nth channel's overflow flag.
V = 1 means that the overflow flag has been set because the counting has exceeded the maximum count.
V = 0 means that the overflow flag has not been set.

Example command: \$1371(cr)
response: !131(cr)
The command requests the counter/frequency module at address 13 to return the status of the overflow flag for counter 1 and to reset it. The module replies with the overflow flag for counter 1 indicating overflow. Then it gets reset.

7.2.3 Digital Filter and Programmable Threshold Command Set

Command Syntax	Command Name	Description	I/O Module
\$AA4S	Enable/Disable Digital Filter	Enables or disables the digital filter of the addressed counter/frequency module	4080
\$AA4	Read Filter Status	The addressed counter frequency module returns the status of its digital filter	4080
\$AA0H(data)	Set Minimum Input Signal Width at High Level	Sets the minimum input signal width at high level for a specified counter/frequency module	4080
\$AA0H	Read Minimum Input Signal Width at High Level	Reads the minimum input signal width setting at high level for a specified counter/frequency module	4080
\$AA0L(data)	Set Minimum Input Signal Width at Low Level	Sets the minimum input signal width at low level for a specified counter/frequency module	4080
\$AA0L	Read Minimum Input Signal Width at Low Level	Reads minimum input signal width setting at low level for a specified counter/frequency module	4080

4080

7.2.3.1 \$AA4S

Name	Enable/Disable Digital Filter command
Description	Enables or disables the digital filter of the counter/frequency module.
Syntax	<p>\$AA4S(cr)</p> <p>\$ is a delimiter character.</p> <p>AA (range 00-FF) represents the 2-character hexadecimal address that you will access to.</p> <p>4 is the Enable/Disable Filter command.</p> <p>S is the digital filter mode.</p> <p>S = 0 means disable filter</p> <p>S = 1 means enable filter</p> <p>(cr) is the terminating character, carriage return (0Dh).</p>
Response	<p>!AA(cr) if the command is valid.</p> <p>There is no response if the module detects a syntax or communication error, or even if the specified address does not exist.</p> <p>! is a delimiter character which indicates a valid command.</p> <p>AA (range 00-FF) represents the 2-character hexadecimal address of the module.</p> <p>(cr) is the terminating character, carriage return (0Dh).</p>
Example	<p>command: \$0340(cr)</p> <p>response: !03(cr)</p> <p>The command orders the counter/frequency module at</p>

address 03 to disable its digital filter. The module returns its address indicating that it has executed the command successfully.

4080

7.2.3.2 \$AA4

Name Read Filter Status command

Description Reads the digital filter status of the addressed counter/frequency module.

Syntax **\$AA4(cr)**

\$ is a delimiter character.

AA (range 00-FF) represents the 2-character hexadecimal address that you will access to.

4 is the Read Filter Status command.

(cr) is the terminating character, carriage return (0Dh).

Response **!AAS(cr)** if the command is valid.

There is no response if the module detects a syntax or communication error, or even if the specified address does not exist.

! is a delimiter character which indicates an invalid command.

AA (range 00-FF) represents the 2-character hexadecimal address of the module.

S is the digital filter mode.

S = 0 means filter is disabled

S = 1 means filter is enabled

(cr) is the terminating character, carriage return (0Dh).

Example command: \$034(cr)

response: !030(cr)

The command requests the counter/frequency module at address 03 to return whether its digital filter is ON or not.

The module returns its address which indicates that its digital filter is disabled.

4080**7.2.3.3 \$AA0H(data)**

Name	Set Minimum Input Signal Width at High Level command
Description	Sets the minimum input signal width at high level for a specified counter/frequency module to filter the noise.
Syntax	<p>\$AA0H(data)(cr)</p> <p>\$ is a delimiter character.</p> <p>AA (range 00-FF) represents the 2-character hexadecimal address that you will access to.</p> <p>0H is the Set Minimum Input Signal Width at High Level command.</p> <p>(data) is the minimum width at high level. The unit is in μsec (microseconds) and its resolution is 1 μsec. The format is a five-digit integer that can range from 2 μsec to 65535 μsec. Out of range values will cause errors.</p> <p>(cr) is the terminating character, carriage return (0Dh).</p>
Response	<p>!AA(cr) if the command is valid. The addressed module stores the value and will recognize the input signal “high” only after the input signal continues “high” and for longer than the specified value.</p> <p>?AA(cr) if an invalid operation was entered.</p> <p>There is no response if the module detects a syntax or communication error, or even if the specified address does not exist.</p> <p>! is a delimiter character which indicates a valid command.</p> <p>? is a delimiter character which indicates an invalid command.</p> <p>AA (range 00-FF) represents the 2-character hexadecimal address of the module.</p> <p>(cr) is the terminating character, carriage return (0Dh).</p>
Example	<p>command: \$130H00020(cr)</p> <p>response: !13(cr)</p> <p>The command requests the counter/frequency module at address 13 to set the minimum input width at high level to 20 ?sec. The module stores the value and will identify an input signal to be “high” only if the signal continues to be “high” longer than 20 ?sec. This function can be used as a digital filter.</p>

4080

7.2.3.4 \$AA0H

Name Read Minimum Input Signal Width at High Level command

Description Reads the minimum input signal width at high level for a specified counter/frequency module.

Syntax \$AA0H(cr)

\$ is a delimiter character.

AA (range 00-FF) represents the 2-character hexadecimal address that you will access to.

0H is the Read Minimum Input Signal Width at High Level command.

(cr) is the terminating character, carriage return (0Dh).

Response !AA(data)(cr) if the command is valid.

?AA(cr) if an invalid operation was entered.

There is no response if the module detects a syntax or communication error, or even if the specified address does not exist.

! is a delimiter character which indicates a valid command.

? is a delimiter character which indicates an invalid command.

AA (range 00-FF) represents the 2-character hexadecimal address of the module.

(data) is the minimum width at high level. The unit is in μsec (microseconds) and its resolution is 1 μsec . The format is a five digit integer that ranges from 2 μsec to 65535 μsec .

(cr) is the terminating character, carriage return (0Dh).

Example command: \$130H(cr)

response: !1300020(cr)

The command requests the counter/frequency module at address 13 to read its minimum input signal width at high level. The module replies that its minimum input signal width at high level is 20 μsec .

4080**7.2.3.5 \$AA0L(data)**

Name	Set Minimum Input Signal Width at Low Level command
Description	Sets the minimum input signal width at low level for a specified counter/frequency module to filter noise.
Syntax	<p>\$AA0L(data)(cr)</p> <p>\$ is a delimiter character.</p> <p>AA (range 00-FF) represents the 2-character hexadecimal address that you will access to.</p> <p>0L is the Set Minimum Input Signal Width at Low Level command.</p> <p>(data) is the minimum width at low level. The unit is in μsec (microseconds) and its resolution is 1 μsec. The format is a five digit integer that can range from 2 μsec to 65535 μsec. Out of range values will cause errors.</p> <p>(cr) is the terminating character, carriage return (0Dh).</p>
Response	<p>!AA(cr) if the command is valid. The addressed module stores the value and will identify the input signal "low" only if the input signal continues to be "low" longer than the specified time.</p> <p>?AA(cr) if an invalid operation was entered.</p> <p>There is no response if the module detects a syntax or communication error, or even if the specified address does not exist.</p> <p>! is a delimiter character which indicates a valid command.</p> <p>? is a delimiter character which indicates an invalid command.</p> <p>AA (range 00-FF) represents the 2-character hexadecimal address of the module.</p> <p>(cr) is the terminating character, carriage return (0Dh).</p>
Example	<p>command: \$050L00084(cr)</p> <p>response: !05(cr)</p> <p>The command requests the counter/frequency module at address 05 to set the minimum input width at low level to 84 μsec. The module stores the value and will identify an input signal to be "low" only if the signal continues to be "low" longer than 84 μsec. This function can be used as a digital filter.</p>

4080

7.2.3.6 \$AA0L

Name	Read Minimum Input Signal Width at Low Level command
Description	Reads the minimum input signal width at low level for a specified counter/frequency module to filter noise.
Syntax	\$AA0L(cr) \$ is a delimiter character. AA (range 00-FF) represents the 2-character hexadecimal address that you will access to. 0L is the Read Minimum Input Signal Width at Low Level command. (cr) is the terminating character, carriage return (0Dh).
Response	!AA(data)(cr) if the command is valid. ?AA(cr) if an invalid operation was entered. There is no response if the module detects a syntax or communication error, or even if the specified address does not exist. ! is a delimiter character which indicates a valid command. ? is a delimiter character which indicates an invalid command. AA (range 00-FF) represents the 2-character hexadecimal address of the module. (data) is the minimum width at low level. The unit is in μsec (microsecond) and its resolution is 1 μsec . The format is a five digit integer that ranges from 2 μsec to 65535 μsec . (cr) is the terminating character, carriage return (0Dh).
Example	command: \$050L(cr) response: !0500084(cr) The command requests the counter/frequency module at address 05 to read its minimum input signal width at low level. The module replies that its minimum input signal width at a low level is 84 μsec .

4080, 4080D**7.2.3.7 \$AA1H**

Name	Read Non-isolated High Trigger Level command
Description	Reads the high trigger level for non-isolated input signals of a specified counter/frequency module.
Syntax	<p>\$AA1H(cr)</p> <p>\$ is a delimiter character.</p> <p>AA (range 00-FF) represents the 2-character hexadecimal address that you will access to.</p> <p>1H is the Read Non-isolated High Trigger Level command.</p> <p>(cr) is the terminating character, carriage return (0Dh).</p>
Response	<p>!AA(data)(cr) if the command is valid.</p> <p>?AA(cr) if an invalid operation was entered.</p> <p>There is no response if the module detects a syntax or communication error, or even if the specified address does not exist.</p> <p>! is a delimiter character which indicates a valid command.</p> <p>? is a delimiter character which indicates an invalid command.</p> <p>AA (range 00-FF) represents the 2-character hexadecimal address of the module.</p> <p>(data) is the high trigger level of non-isolated input signals The unit and resolution are both 0.1 V (voltage). The format is a two digit integer that range from 1 to 50 (i.e. 0.1 V to 5 V).</p> <p>(cr) is the terminating character, carriage return (0Dh).</p>
Example	<p>command: \$131H(cr)</p> <p>response: !1330(cr)</p> <p>The command requests the counter/frequency module at address 13 to read its non-isolated high trigger level. The module replies that the high trigger level is 3 V.</p>

4080

7.2.3.8 \$AA1L(data)

Name	Set Non-isolated Low Trigger Level command
Description	Sets the low trigger level of non-isolated input signals for a specified counter/frequency module.
Syntax	\$AA1L(data)(cr) \$ is a delimiter character. AA (range 00-FF) represents the 2-character hexadecimal address that you will access to. 1L is the Set Non-isolated Low Trigger Level command. (data) is the low trigger level for non-isolated input signals. The unit and resolution is 0.1 V (voltage). The format is a two digit integer that can range from 1 to 50 (i.e. 0.1 to 5 V). This low trigger level must at all times be lower than the high trigger level, set by \$AA1H(data) command. When the low trigger level is out of range or higher than the high trigger level an error will occur. (cr) is the terminating character, carriage return (0Dh).
Response	!AA(cr) if the command is valid. The addressed module stores the value and will identify input signal as “low” only when it exceeds the low trigger level ?AA(cr) if an invalid operation was entered. There is no response if the module detects a syntax or communication error, or if the specified address does not exist. ! is a delimiter character which indicates a valid command. ? is a delimiter character which indicates an invalid command. AA (range 00-FF) represents the 2-character hexadecimal address of the module. (cr) is the terminating character, carriage return (0Dh).
Example	command: \$051L08(cr) response: !05(cr) The command requests the counter/frequency module at address 05 to set its non-isolated low trigger level to 0.8 V. The module stores the value and will identify the TTL input signal to be “low” only if the signal exceeds 0.8 V. This function can be used as a level filter.

4080**7.2.3.9 \$AA1L**

Name	Read Non-isolated Low Trigger Level command
Description	Reads the low trigger level for non-isolated input signals of a specified counter/frequency module.
Syntax	<p>\$AA1L(cr)</p> <p>\$ is a delimiter character.</p> <p>AA (range 00-FF) represents the 2-character hexadecimal address that you will access to.</p> <p>1L is the Read Non-isolated Low Trigger Level command.</p> <p>(cr) is the terminating character, carriage return (0Dh).</p>
Response	<p>!AA(data)(cr) if the command is valid.</p> <p>?AA(cr) if an invalid operation was entered.</p> <p>There is no response if the module detects a syntax or communication error, or even if the specified address does not exist.</p> <p>! is a delimiter character which indicates a valid command.</p> <p>? is a delimiter character which indicates an invalid command.</p> <p>AA (range 00-FF) represents the 2-character hexadecimal address of the module.</p> <p>(data) is the low trigger level of non-isolated input signal. The unit and resolution is 0.1 V (voltage). The format is a two digit integer that can range from 1 to 50 (i.e. 0.1 V to 5 V).</p> <p>(cr) is the terminating character, carriage return (0Dh).</p>
Example	<p>command: \$051L(cr)</p> <p>response: !0508(cr)</p> <p>The command requests the counter/frequency module at address 05 to read its non-isolated input signal low trigger level. The module replies that its low trigger level is 0.8 V.</p>

7.2.4 Digital Output and Alarm Command Set

Command Syntax	Command Name	Description	I/O Module
@AAPN(data)	Set Initial Count Value of Counter N	Sets the initial count value of the module for counter 0 or counter 1	4080
@AAGN	Read Initial Count Value of Counter N	Reads the initial count value of counter 0 or counter 1	4080
@AAEAN	Enable Alarm of Counter N	Enables alarm for the specified counter 0 or counter 1	4080
@AADAN	Disable Alarm of Counter N	Disables alarm for the specified counter 0 or counter 1	4080
@AAPA(data)	Set Alarm Limit Value of Counter 0	Downloads the alarm limit value for counter 0 of the specified module	4080
@AASA(data)	Set Alarm Limit Value of Counter 1	Downloads the alarm limit value for counter 1 of the specified module	4080
@AARP	Read Alarm Limit Value of Counter 0	Asks the module to return the alarm limit value of counter 0	4080
@AARA	Read Alarm Limit Value of Counter 1	Asks the module to return the alarm limit value of counter 1	4080
@AADO(data)	Set Digital Output Values	Sets the values of the module's two digital outputs (ON or OFF)	4080
@AADI	Read Digital Output and Alarm Status	Asks the addressed module to return the state of its two digital output channels and the status of its alarm	4080

4080**7.2.4.1 @AAPN(data)**

Name	Set Initial Count Value of Counter 0 or 1 command
Description	Sets the initial count value for counter 0 or 1 of the specified counter module at address AA.
Syntax	<p>@AAPN(data)(cr)</p> <p>@ is a delimiter character.</p> <p>AA (range 00-FF) represents the 2-character hexadecimal address of the module.</p> <p>PN is the Set Initial Count Value of Counter 0 or 1 command.</p> <p>N = 0 represents counter 0</p> <p>N = 1 represents counter 1</p> <p>(data) is the initial count value which must consist of eight hexadecimal digits.</p> <p>(cr) is the terminating character, carriage return (0Dh).</p>
Response	<p>!AA(cr) if the command is valid.</p> <p>There is no response if the module detects a syntax or communication error, or even if the specified address does not exist.</p> <p>! is a delimiter character which indicates a valid command.</p> <p>AA (range 00-FF) represents the 2-character hexadecimal address of the module.</p> <p>(cr) is the terminating character, carriage return (0Dh).</p>
Example	<p>command: @12P0000000FF(cr)</p> <p>response: !12(cr)</p> <p>The command sets the initial count value 000000FF for counter 0 of the counter module at address 12. The module replies that the command has been received.</p>

4080

7.2.4.2 @AAGN

Name Read Initial Count Value of Counter 0 or 1 command

Description Reads the initial count value of counter 0 or 1 of the specified counter module at address AA.

Syntax @AAGN(data)(cr)

@ is a delimiter character.

AA (range 00-FF) represents the 2-character hexadecimal address of the module.

GN is the Read Initial Count Value for Counter 0 or 1 command.

N = 0 represents counter 0

N = 1 represents counter 1

(cr) is the terminating character, carriage return (0Dh).

Response !AA(data)(cr) if the command is valid.

There is no response if the module detects a syntax or communication error, or even if the specified address does not exist.

! is a delimiter character which indicates a valid command.

AA (range 00-FF) represents the 2-character hexadecimal address of the module.

(data) is the initial count value which must consist of eight hexadecimal digits.

(cr) is the terminating character, carriage return (0Dh).

Example command: @12G0(cr)

response: !12000000FF(cr)

The command instructs the module at address 12h to return the initial value of counter 0. The module replies that initial count value of counter 0 is 000000FF.

4080**7.2.4.3 @AAEAN**

Name	Enable Alarm command
Description	Enables the alarm for the specified counter.
Syntax	<p>@AAEAN (cr)</p> <p>@ is a delimiter character.</p> <p>AA (range 00-FF) represents the 2-character hexadecimal address of the module.</p> <p>EAN is the Enable Alarm command.</p> <p>N = 0 Represents counter 0</p> <p>N = 1 Represents counter 1</p> <p>(cr) is the terminating character, carriage return (0Dh).</p>
Response	<p>!AA(cr) if the command is valid.</p> <p>There is no response if the module detects a syntax or communication error, or even if the specified address does not exist.</p> <p>! is a delimiter character which indicates a valid command.</p> <p>AA (range 00-FF) represents the 2-character hexadecimal address of the module.</p> <p>(cr) is the terminating character, carriage return (0Dh).</p>
Example	<p>command: @12EA0(cr)</p> <p>response: !12(cr)</p> <p>The command sets the Alarm Status as 'Enable' for counter 0 of the counter module at address 12h. It means that the digital output will be triggered while the count value of the counter 0 reaches the alarm limit value. The module replies that the command has been received.</p>

4080

7.2.4.4 @AADAN

Name	Disable Alarm command
Description	Disables the alarm for the specified counter.
Syntax	@AADAN (cr) @ is a delimiter character. AA (range 00-FF) represents the 2-character hexadecimal address of the module. DAN is the Disable Alarm Mode command. N = 0 Represents counter 0 N = 1 Represents counter 1 (cr) is the terminating character, carriage return (0Dh).
Response	!AA(cr) if the command is valid. There is no response if the module detects a syntax or communication error, or even if the specified address does not exist. ! is a delimiter character which indicates a valid command. AA (range 00-FF) represents the 2-character hexadecimal address of a counter module. (cr) is the terminating character, carriage return (0Dh).
Example	command: @12DA0(cr) response: !12(cr) The counter module at address 12h is instructed to disable the alarm functions for counter 0. The module confirms that its alarm functions have been disabled.

4080**7.2.4.5 @AAPA(data)
@AASA(data)**

Name	Set Alarm Limit Value of Counter 0 or 1 command
Description	Sets the alarm limit value of counter 0 or 1 of the specified counter module at address AA.
Syntax	<p>@AAPA(data)(cr) @AASA(data)(cr) @ is a delimiter character. AA (range 00-FF) represents the 2-character hexadecimal address of the module. PA represents the Set Alarm Limit value for counter 0 command. SA represents the Set Alarm Limit Value for counter 1 command. (data) is the alarm limit value which must consist of eight hexadecimal digits. (cr) is the terminating character, carriage return (0Dh).</p>
Response	<p>!AA(cr) if the command is valid. There is no response if the module detects a syntax or communication error, or even if the specified address does not exist. ! is a delimiter character which indicates a valid command. AA (range 00-FF) represents the 2-character hexadecimal address of the module. (cr) is the terminating character, carriage return (0Dh).</p>
Example	<p>command: @\$12PA0000FFFF(cr) response: !12(cr) The command sets the alarm limit value 0000FFFF for counter 0 of the counter module at address 12h. The module replies that the command has been received.</p>

4080

7.2.4.6 @AARP @AARA

Name	Read Alarm Limit Value of Counter 0 or 1 command
Description	Reads the alarm limit value of counter 0 or 1 of the specified counter module at address AA.
Syntax	@AARP(data)(cr) @AARA(data)(cr) @ is a delimiter character. AA (range 00-FF) represents the 2-character hexadecimal address of the module. RP represents the Read Alarm Limit Value for counter 0 command. RA represents the Read Alarm Limit Value for counter 1 command. (cr) is the terminating character, carriage return (0Dh).
Response	!AA(data)(cr) if the command is valid. There is no response if the module detects a syntax or communication error, or even if the specified address does not exist. ! is a delimiter character which indicates a valid command. AA (range 00-FF) represents the 2-character hexadecimal address of the module. (data) is the alarm limit value which must consist of eight hexadecimal digits. (cr) is the terminating character, carriage return (0Dh).
Example	command: @12RP(cr) response: !120000FFFF(cr) The command instructs the module at address 12h to return the alarm limit value of counter 0. The module replies that the alarm limit value of counter 0 is 0000FFFF.

4080**7.2.4.7 @AADO**

Name	Set Digital Output command
Description	Sets the values of the module's two digital outputs (ON or OFF).
Syntax	<p>@AADO(data)(cr)</p> <p>@ is a delimiter character.</p> <p>AA (range 00-FF) represents the 2-character hexadecimal address of the module.</p> <p>DO is the Set Digital Output command.</p> <p>(data) is the two-character parameter that sets the state for the two digital output bits of the module, as shown below:</p> <p>00 all D/O bits are OFF</p> <p>01 bit 0 is ON, bit 1 is OFF</p> <p>02 bit 0 is OFF, bit 1 is ON</p> <p>03 all bits are ON</p> <p>(cr) represents terminating character, carriage return (0Dh).</p>
Response	<p>!AA(cr) if the command was valid</p> <p>?AA(cr) if an invalid parameter was entered</p> <p>There is no response if the module detects a syntax or communication error, or even if the specified address does not exist.</p> <p>! is a delimiter character which indicates a valid command.</p> <p>? is a delimiter character which indicates an invalid command.</p> <p>AA represents the 2-character hexadecimal address of the module.</p> <p>(cr) represents terminating character, carriage return (0Dh).</p>
Example	<p>command: @05DO01(cr)</p> <p>response: !05(cr)</p> <p>The counter module at address 05h is instructed to set digital output channel 1 to ON and digital output channel 2 to OFF. The module confirms the settings.</p>

4080

7.2.4.8 @AADI

Name	Read Digital Output and Alarm State command
Description	The addressed counter module is instructed to return the value of its two digital output channels and the state of its alarm.
Syntax	@AADI(cr) @ is a delimiter character. AA (range 00-FF) represents the 2-character hexadecimal address of the module. DI is the Read Digital Output and Alarm Status command. (cr) represents terminating character, carriage return (0Dh).
Response	!AASOOO(cr) if the command was valid There is no response if the module detects a syntax error or communication error or if the specified address does not exist. ! is a delimiter character which indicates a valid command. AA represents the 2-character hexadecimal address of the module. S (for ADAM-4080) is a hexadecimal number that represents the disable or enable status of alarm mode: 0h: Counter 0 alarm is disabled, counter 1 alarm is disabled 1h: Counter 0 alarm is enabled, counter 1 alarm is disabled 2h: Counter 0 alarm is disabled, counter 1 alarm is enabled 3h: Counter 0 alarm is enabled, counter 1 alarm is enabled OO is a hexadecimal number representing the Digital Output port's channel 0 and 1 status (00h = D/O channels 0 and 1 are both OFF, 01h = channel 0 is ON, channel 1 is OFF, 02h = channel 0 is OFF, channel 1 is ON, 03h = channel 0 and 1 are both ON). (cr) represents the terminating character, carriage return (0Dh).
Example	command: @15DI(cr) response: !1510000(cr) The counter module at address 15h is instructed to return digital output data and alarm status. The module responds that both digital output channels are OFF and alarm state is MOMENTARY. command: @05DI(cr) response: !0530000(cr) The counter module at address 05H is instructed to return digital output and alarm status. The module responds that both digital output channels are OFF and the alarm status for both counters are ENABLED.

Chapter 8

Calibration

Analog input/output modules are calibrated when you receive them. However, calibration is sometimes required. No screwdriver is necessary because calibration is done in software. Calibration parameters are stored in the ADAM module's onboard EEPROM.

The ADAM modules come with utility software that supports the calibration of analog input and analog output. Aside from the calibration that is carried out through software, the modules incorporate automatic Zero Calibration and automatic Span Calibration at boot-up or reset.

8.1 Analog Input Module Calibration

Models: ADAM-4017, 4017+, 4018+, 4019+

1. Set modules as initial mode before applying power to the module and let it warm up for about 30 minutes.
2. Assure that the module is correctly installed and is properly configured for the input range that you want to calibrate. You can do this by using the Adam/Apax .NET utility software. (Please refer to Appendix D, Utility Software.)
3. Vin0+ and Vin0- are used for calibration in ADAM-4017, 4017+, 4018+ and 4019+ models.
4. Execute the Offset Calibration command. This is also done through the Adam/Apax .NET utility software. (Please see "Offset Calibration" option in the Calibration sub-menu of the Adam/Apax .NET utility software).

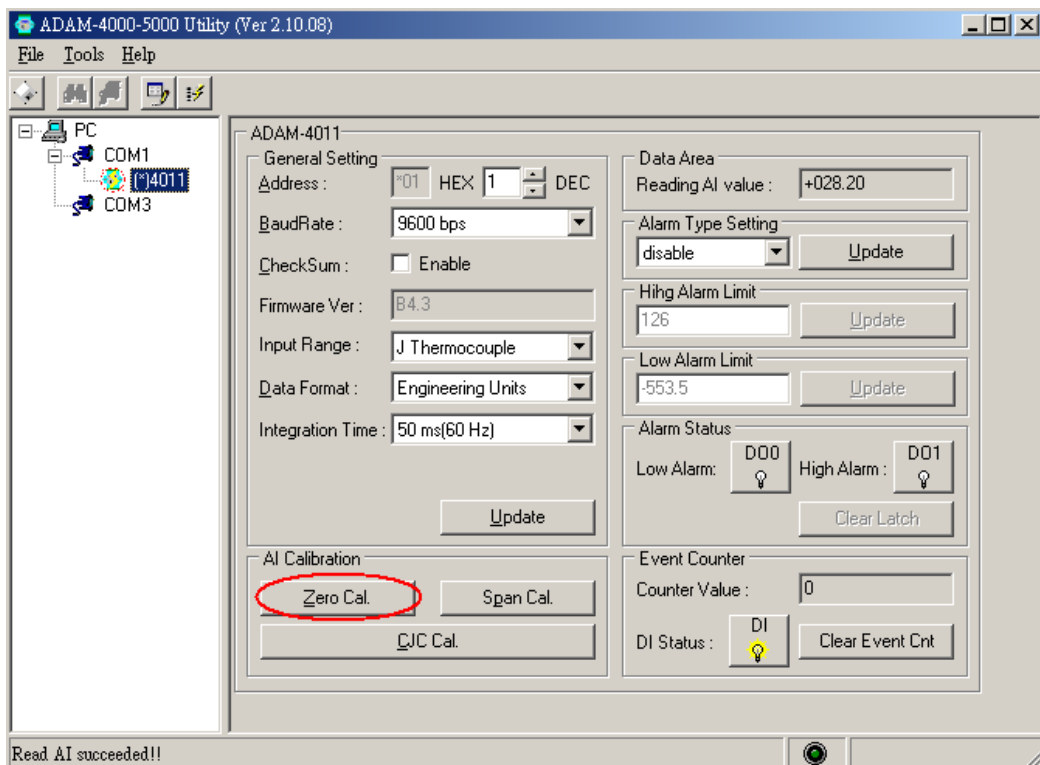


Figure 8.1 Zero Calibration

- Execute the Span Calibration command. This can be done through the Adam/ Apax .NET utility software. (Please see “Span Calibration” option in the Calibration sub-menu of the Adam/ Apax .NET utility software).

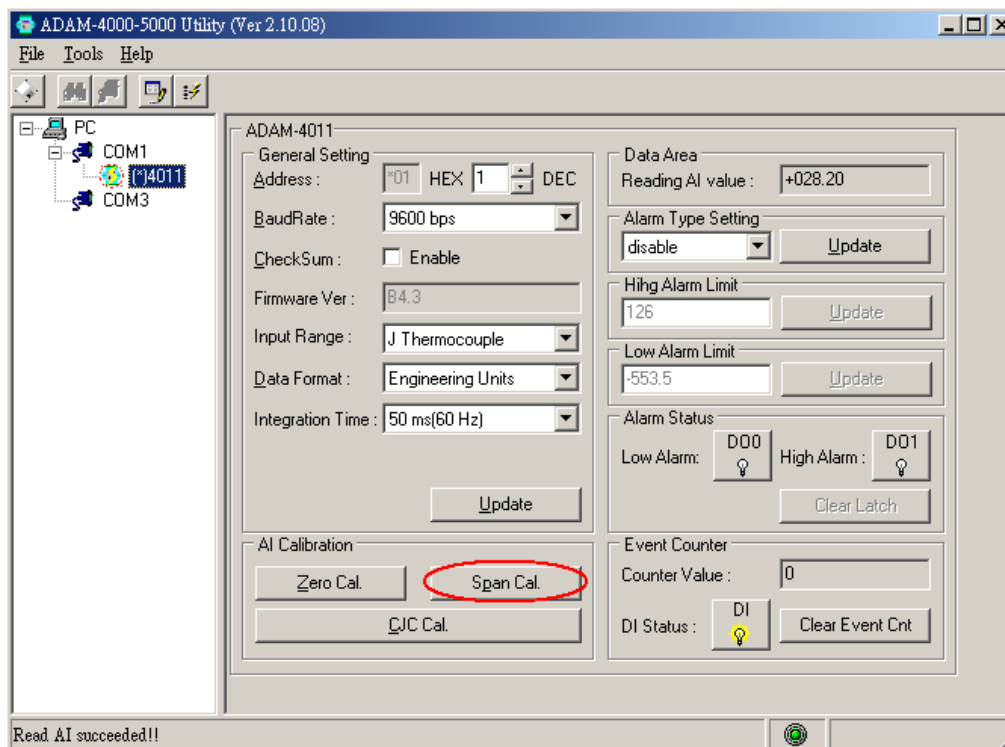


Figure 8.2 Span Calibration

- This step is only for ADAM 4018+, 4019+. Execute the CJC (cold junction sensor) calibration command. This is also done through the Adam/ Apax .NET utility software. (Please see “CJC Calibration” option in the Calibration sub-menu of the Adam/ Apax .NET utility software).

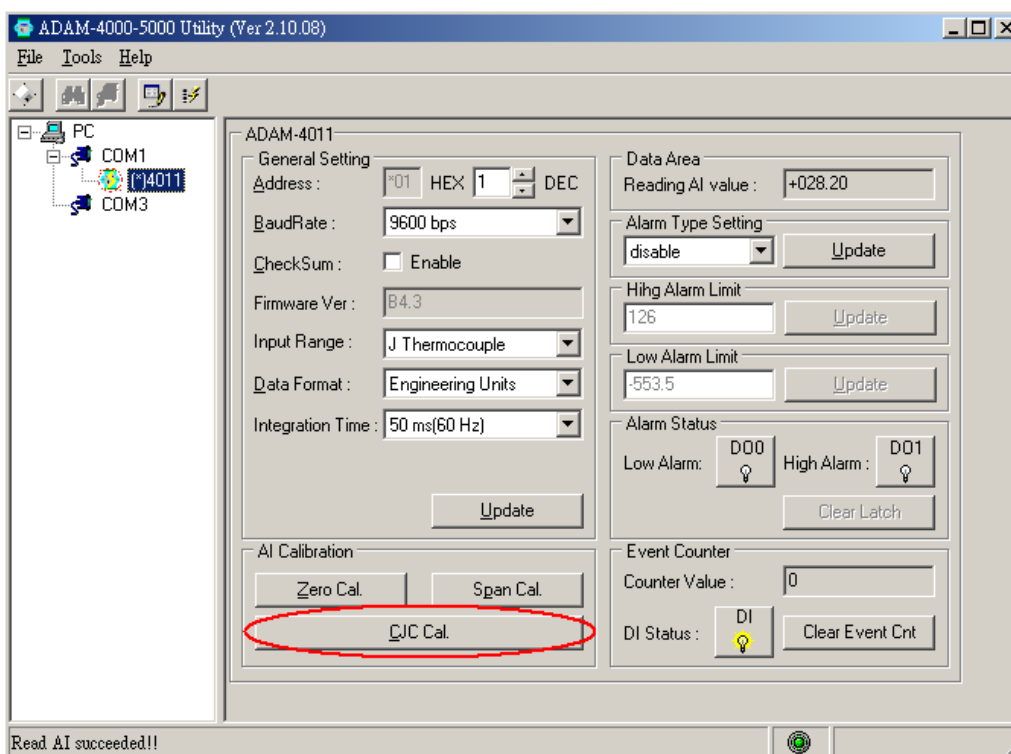


Figure 8.3 Cold Junction Calibration

8.2 Analog Output Calibration

Model: ADAM-4021/4024

The output current of analog output modules can be calibrated by using a low and high calibrating value. The analog output modules can be configured in one of the two ranges, 0-20 mA and 4-20 mA. Since the low limit of the 0 - 20 mA ranges, 0 mA, is an absolute reference (no power, or immeasurably small power). However, just two levels, 4 mA and 20 mA, are needed for calibration.

1. Apply power to the analog output module and let it warm up for about 30 minutes.
2. Assure that the module is correctly installed, and its configuration is according to your specifications. It should match the output range that you want to calibrate. You can do this by using the Adam/Apax .NET utility software. (Please refer to Appendix D, Utility Software.)
3. Connect either a 5-digit millimeter or voltmeter with a shunt resistor (250 Ω , 0.01% , and 10ppm) to the screw terminals of the module.

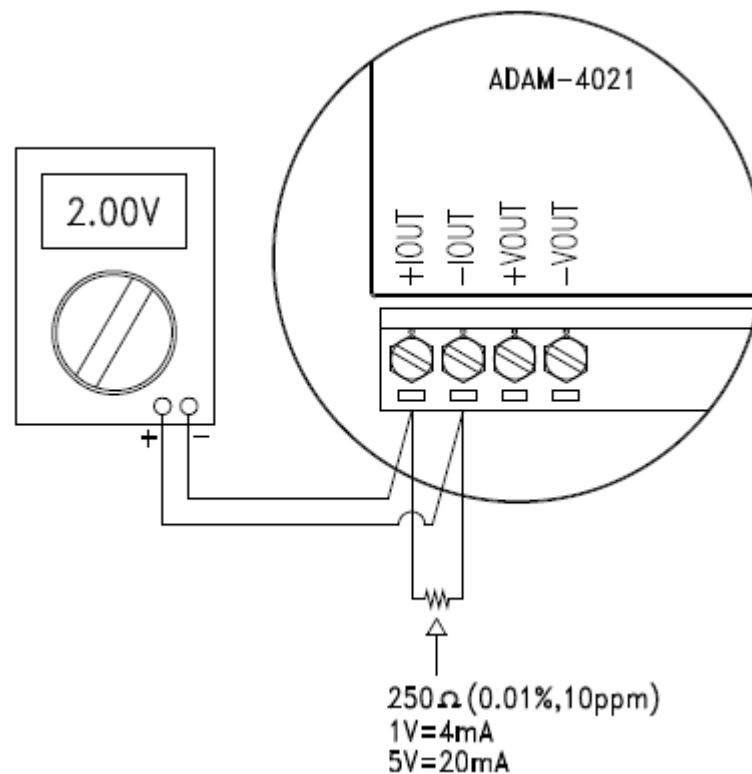


Figure 8.4 Setup for Analog Output Calibration

4. Issue the Analog Data Out command to the module with an output value of 4 mA.
5. Check the actual output value at the terminals. If it does not equal to 4 mA, use the "Trim" option in the "Calibrate" sub menu to change the actual output. Trim the module until the millimeter indicates exactly 4 mA. In the case of using a voltage meter with shunt resistor, the voltage meter should indicate exactly 1 V. (When calibrating for 20 mA using voltage meter and shunt resistor, the correct voltage would be 5 V.)
6. Issue the 4 mA Calibration command to indicate that the output is calibrated. The calibrated parameters should be stored in the modules EEPROM.
7. Execute an Analog Data Out command with an output value of 20 mA, and the output will be approximately 20 mA.
8. Continue executing the Trim Calibration command until the output current is equal to exactly 20 mA.
9. Execute the 20 mA Calibration command until the present output is exactly 20 mA. The analog output module will store its calibrated parameters in EEPROM.

Appendix **A**

Technical
Specifications

A.1 ADAM-4017/4017+ 8-channel Analog Input Module

Table A.1: ADAM-4017/4017+ Specifications	
AI channel number	8 differential
Input type	mV, V and mA
Input range	ADAM-4017 ±150 mV, ±500 mV, 0 ~ 150 mV*, 0 ~ 500 mV*, 0 ~ 1 V*, 0 ~ 5 V*, 0 ~ 10 V*, ±1 V, ±5 V, ±10 V, ±20 mA, 0 ~ 20 mA* ADAM-4107+ ±150 mV, ±500 mV, 0 ~ 150 mV*, 0 ~ 500 mV*, 0 ~ 1 V*, 0 ~ 5 V*, 0 ~ 10 V*, ±1 V, ±5 V, ±10 V, ±20 mA, 0 ~ 20 mA*, 4 ~ 20 mA
Output speed (bps) Maximum distance	RS-485 (2-wire) 1200, 2400, 4800, 9600, 19.2K, 38.4K, 57.6K, 115.2K 4000 ft. (1200 m)
Isolation voltage	3000 V _{DC}
Resolution	16-bit
Sampling rate	10 samples/second (total)
Bandwidth	13.1 Hz
Accuracy	± 0.1% or better (Voltage) ± 0.2% or better (Current)
Zero drift	±6 μV/°C
Span drift	±25 ppm/°C
CMR @ 50/60 Hz	120 dB
NMR @ 50/60 Hz	100 dB
Input impedance	Voltage: 20 MΩ, Current: 120 Ω
Support protocol	ADAM ASCII (ADAM-4017 & 4107+) MODBUS/RTU (ADAM-4017+ only)
Watchdog timer	ADAM-4017: System (1.6 second) ADAM-4017+: System (1.6 second) and communication
Power requirements	+10 to +30 V _{DC} (non-regulated)
Power consumption	1.2 W @ 24 V _{DC}

* New input range for ADAM-4017-F, ADAM-4017+-F

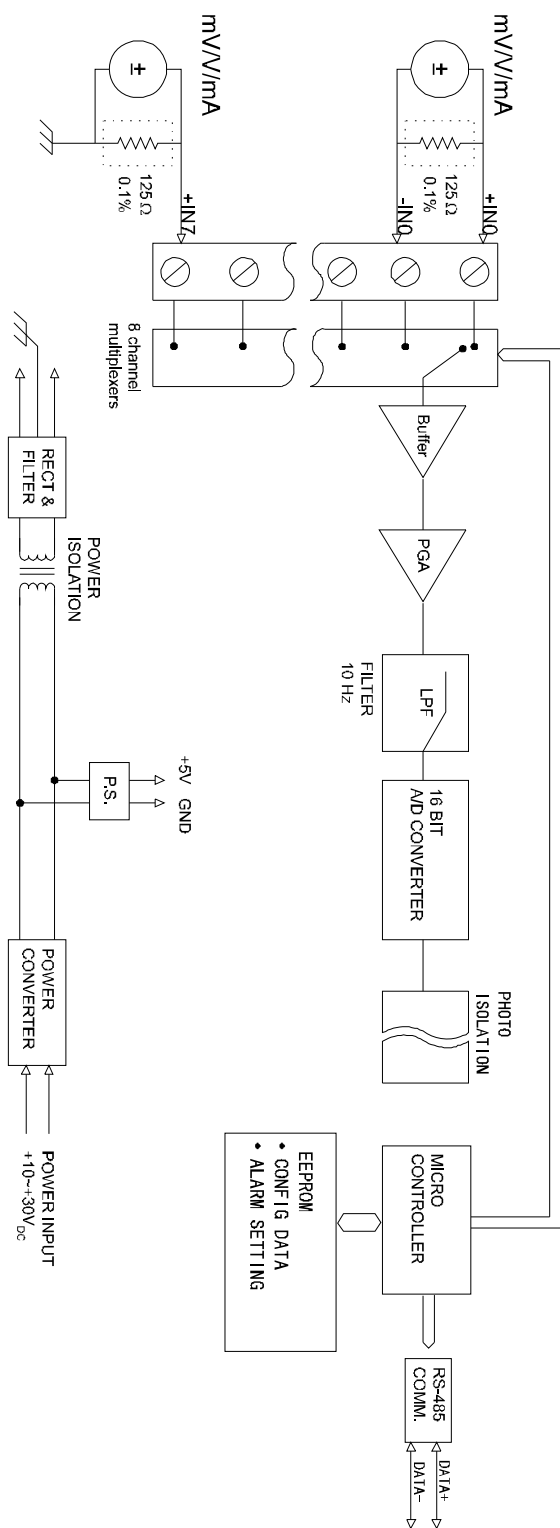


Figure A.1 ADAM-4017/4017+ Function Diagram

The use of a 125 ohm external resistor is when only 4017 needs one. The resistor is contained internally for the ADAM-4017+ and doesn't need to be include externally.

A.2 ADAM4018+ 8-channel Analog Input Module

Table A.2: ADAM-4018+ Specifications	
AI channel number	ADAM-4018+ : 8 differential
Input type	Thermocouple with mV, V, or mA
Input range	J, K, T, E, R, S and B Thermocouple ±20 mA and 4~20 mA
Output speed (bps) Maximum distance	RS-485 (2-wire) 1200, 2400, 4800, 9600, 19.2K, 38.4K, 57.6K, 115.2K 4000 ft. (1200 m)
Isolation voltage	3000 V _{DC}
Resolution	16-bit
Sampling rate	10 samples/second (total)
Bandwidth	13.1 Hz
Accuracy	± 0.1% or better (Voltage) ± 0.2% or better (Current)
Zero drift	±6 μV/°C
Span drift	±25 ppm/°C
CMR @ 50/60 Hz	120 dB
NMR @ 50/60 Hz	100 dB
Input impedance	Voltage: 20 MΩ, Current: 120 Ω
Support protocol	ADAM ASCII MODBUS/RTU
Watchdog timer	ADAM-4018+ : System (1.6 second) and communication
Power requirements	+10 to +30 V _{DC} (non-regulated)
Power consumption	0.8 W @ 24 V _{DC}
Burn-out detection	All T/C input

Table A.3: ADAM-4018+ Range Accuracy for Thermocouple				
Range Code (Hex)	Input Range	Typical Accuracy	Maximum Error	Units
0E	J thermocouple 0 to 760°C	±1.0	±1.5	°C
0F	K thermocouple 0 to 1370°C	±1.0	±1.5	°C
10	T thermocouple -100 to 400°C	±1.0	±1.5	°C
11	E thermocouple 0 to 1000°C	±1.0	±1.5	°C
12	R thermocouple 500 to 1750°C	±1.2	±2.5	°C
13	S thermocouple 500 to 1750°C	±1.2	±2.5	°C
14	B thermocouple 500 to 1800°C	±2.0	±3.0	°C

Note! *Because the CJC sensor of ADAM-4018 is located in the side of channels 0 to 4, the measurement will have a difference $\pm 1^{\circ}\text{C}$ between channels 0 ~ 4 and channels 5 ~ 7.*

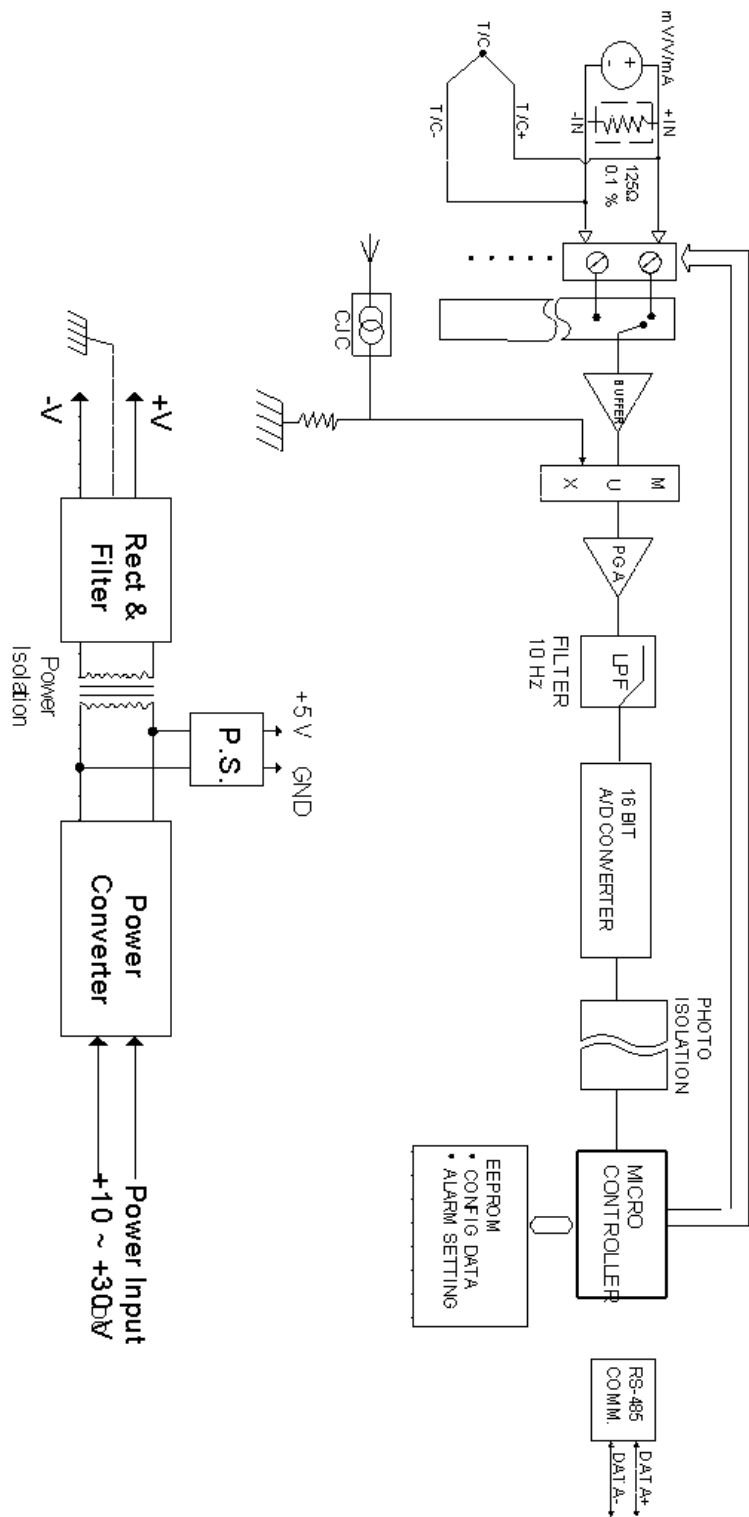


Figure A.2 ADAM-4018+ Function Diagram

A.3 ADAM-4019+ 8-channel Universal Analog Input Module

Table A.4: ADAM-4019+ Specifications	
AI channel number	8
Input type	V, mV, mA and T/C
Input range	mV: ± 100 mV, ± 500 mV, 0 ~ 100 mV*, 0 ~ 500 mV* V: ± 1 V, ± 2.5 V, ± 5 V, ± 10 V, 0 ~ 1 V*, 0 ~ 2.5 V*, 0 ~ 5 V*, 0 ~ 10 V* mA (with 120 Ω resistor): ± 20 mA, 4 ~ 20 mA, 0 ~ 20 mA*
Thermocouple	J 0 to 760°C K 0 to 1370°C T -100 to 400°C E 0 to 1400°C R 500 to 1750°C S 500 to 1750°C B 500 to 1800°C N -200~1300°C*
Isolation voltage	3000 V _{DC}
Resolution	16-bit
Sampling rate	10 samples/sec (total)
Input impedance	20 M Ω
Accuracy	$\pm 0.1\%$ or better (Voltage) $\pm 0.2\%$ or better (Current)
Zero drift	± 6 μ V/°C
CMR @ 50/60 Hz	120 dB
NMR @ 50/60 Hz	100 dB
Span drift	± 25 ppm/°C
Support protocol	ADAM ASCII and MODBUS/RTU
Watchdog timer	System (1.6 second) and communication
Power requirements	+10 to +30 V _{DC} (non-regulated)
Power consumption	1.0 W @ 24 V _{DC}
Burn-out detection	+4~20mA and all Thermocouple input

* New input range for ADAM-4019+F

Table A.5: ADAM-4019+ Range Accuracy for Thermocouple				
Range Code (Hex)	Input Range	Typical Accuracy	Maximum Error	Units
0E	J thermocouple 0 to 760°C	±1.0	±1.5	°C
0F	K thermocouple 0 to 1370°C	±1.0	±1.5	°C
10	T thermocouple -100 to 400°C	±1.0	±1.5	°C
11	E thermocouple 0 to 1000°C	±1.0	±1.5	°C
12	R thermocouple 500 to 1750°C	±1.2	±2.5	°C
13	S thermocouple 500 to 1750°C	±1.2	±2.5	°C
14	B thermocouple 500 to 1800°C	±2.0	±3.0	°C
18	N thermocouple* -200 to 0°C 0 to 1300°C	±1.5 ±1.0	±2.5 ±1.5	°C °C

* New input range for ADAM-4019+F

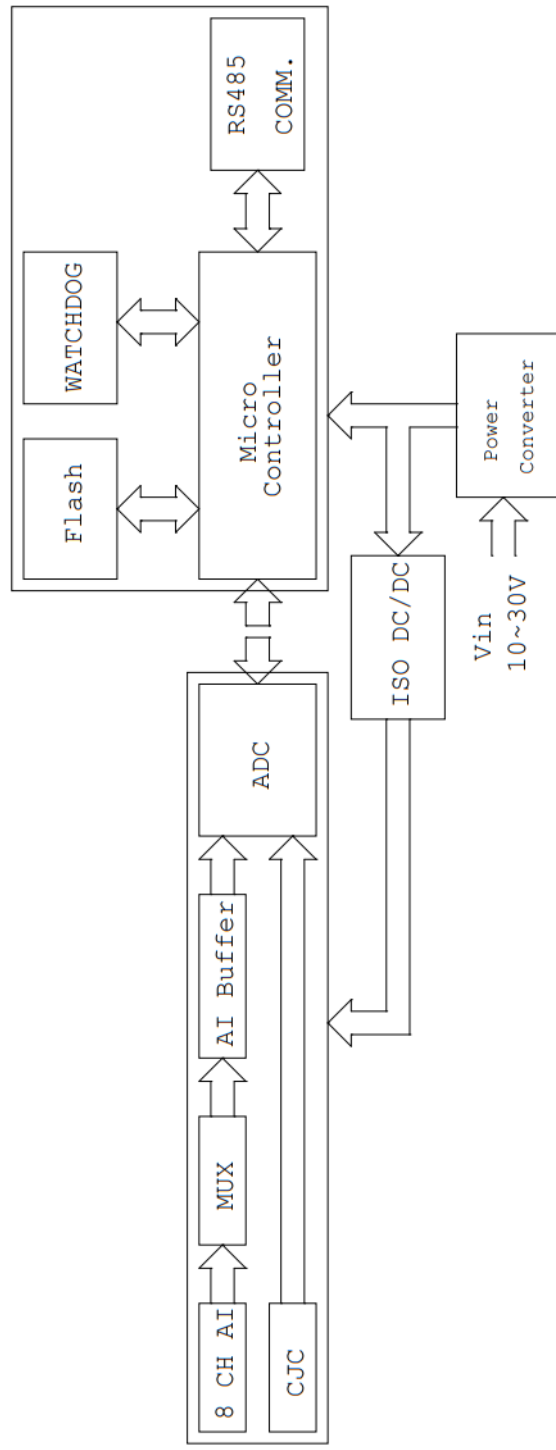


Figure A.3 ADAM-4019+ Function Diagram

A.4 ADAM-4021/4024 Analog Output Module

Table A.6: ADAM-4021/4024 Specifications	
Input speed (bps)	RS-485 (2-wire) 1200, 2400, 4800, 9600, 19.2K, 38.4K, 57.6K, 115.2K
Maximum distance	4000 ft. (1200 m)
AO channel number	ADAM-4021: 1 ADAM-4024: 4
Output type	mA, V
Output range	0~20 mA, 4~20 mA and ± 10 V
Accuracy	ADAM-4021: $\pm 0.2\%$ of FSR for current output $\pm 0.1\%$ of FSR for voltage output ADAM-4024: $\pm 0.1\%$ of FSR for current output $\pm 0.1\%$ of FSR for voltage output
Resolution	12-bit
Readback accuracy	$\pm 0.1\%$ of FSR (ADAM-4021 only)
Zero drift voltage output current	$\pm 30 \mu\text{V}/^\circ\text{C}$ $\pm 0.2 \mu\text{A}/^\circ\text{C}$
Span temperature coefficient	$\pm 25 \text{ ppm}/^\circ\text{C}$
Isolation rated voltage	3000 V _{DC}
Programmable output slope	0.125 to 128 mA/second 0.0625 to 64 V/second
Current load resistor	0 to 500 Ω (source)
Bandwidth	100 samples/second
Output impedance	0.5 Ω
Support protocol	ADAM-4021: ADAM ASCII and *MODBUS/RTU ADAM-4024: ADAM ASCII and MODBUS/RTU
Watchdog timer	ADAM-4021: System (1.6 second) ADAM-4024: System (1.6 second) and communication
Power supply	+10 to +30 V _{DC} (non-regulated)
Power consumption	ADAM-4021: 1.5 W @ 24 V _{DC} ADAM-4024: 3.0 W @ 24 V _{DC}

* New for ADAM-4021-F

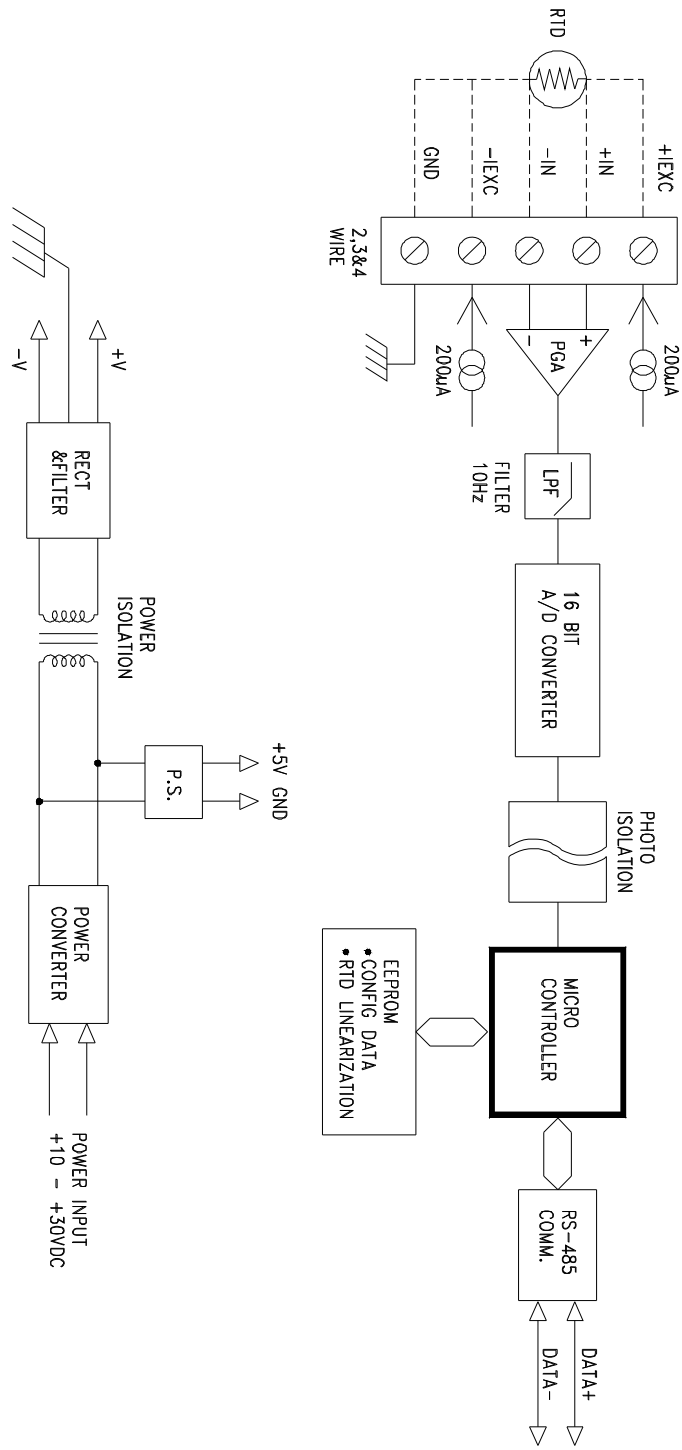


Figure A.4 ADAM-4021 Function Diagram

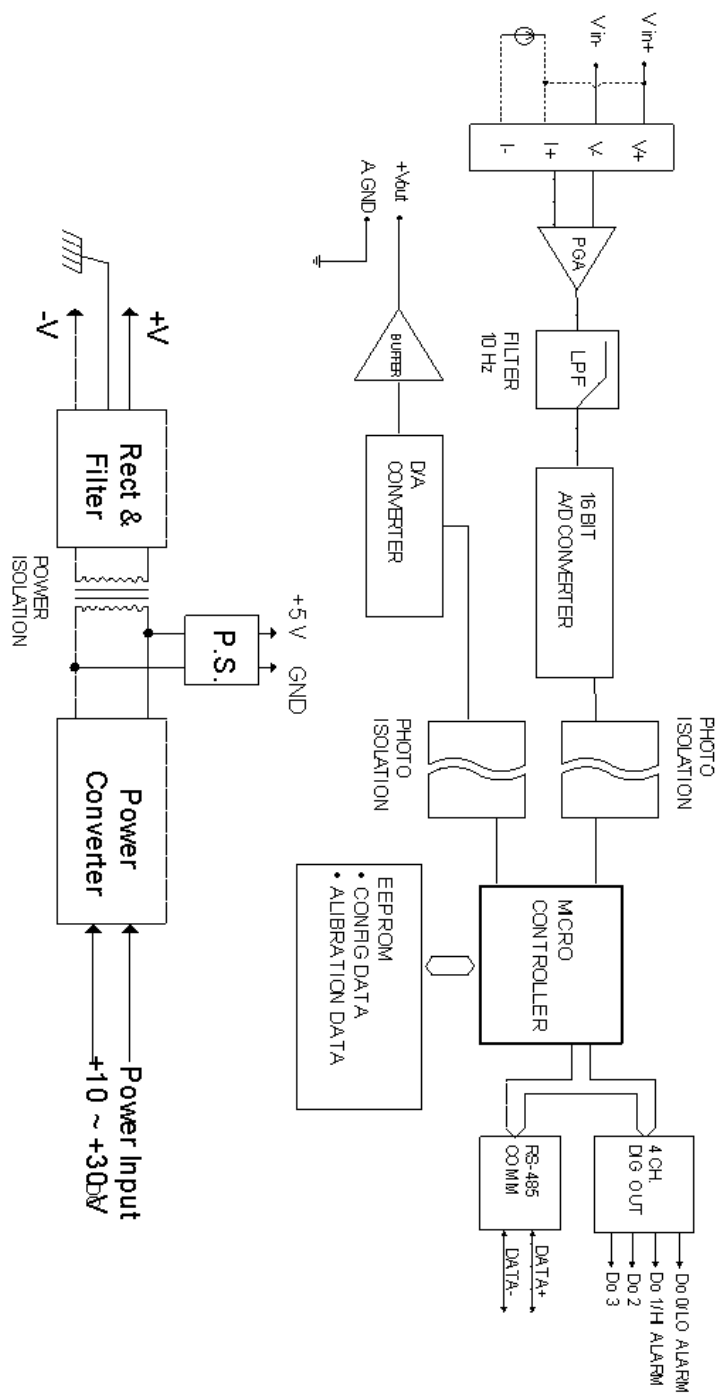


Figure A.5 ADAM-4024 Function Diagram

A.5 ADAM-4050 Digital I/O Module

Table A.7: ADAM-4050 Specifications	
DI/O channel number	7 or *8 digital inputs 8 digital outputs
Input/Output speed (bps) Maximum distance	RS-485 (2-wire) 1200, 2400, 4800, 9600, 19.2K, 38.4K, 57.6K, 115.2K 4000 ft. (1200 m)
Digital output Sink-current Power dissipation	Open collector to 30 V 30 mA maximum 300 mW
Digital input level Logic level 0 Logic level 1 Pull-up current	+1 V maximum +3.5 to +30 V 0.5 mA, 10K resistor to +5 V
Support protocol	ADAM ASCII and MODBUS/RTU
Watchdog timer	1.6 second (System)
Power supply	+10 to +30 V _{DC} (non-regulated)
Power consumption	Typical: 0.2 W @ 24 V _{DC} Max.: 0.4 W @ 24 V _{DC}

* New input for ADAM-4050-F

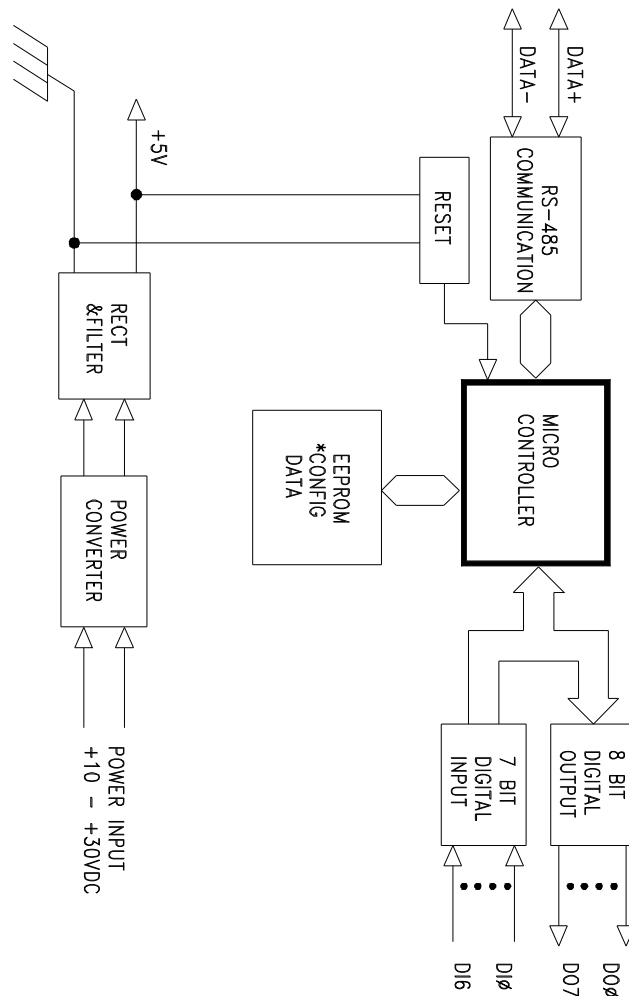


Figure A.6 ADAM-4050 Function Diagram

A.6 ADAM-4051/4052 Isolated Digital Input Module

Table A.8: ADAM-4051/4052 Specifications	
DI/O channel number	ADAM-4051: 16 digital inputs ADAM-4052: 8 digital inputs (6 fully independent isolated channels, and 2 isolated channels with common ground)
Input/Output speed (bps)	RS-485 (2-wire) 1200, 2400, 4800, 9600, 19.2K, 38.4K, 57.6K, 115.2K
Maximum distance	4000 ft. (1200 m)
Digital input level	
ADAM-4051: Dry Contact: Logic level 0: Logic level 1:	Close to GND Open
Wet Contact: Logic level 0: Logic level 1:	+3V maximum +10 to 50V
ADAM-4052: Logic level 0: Logic level 1:	+1V maximum +3 to 30V
Input resistance	ADAM-4051: 5.2 k Ω ADAM-4052: 3 k Ω
Isolation voltage	ADAM-4051: 2500 V _{DC} ADAM-4052: 5000 VRMS
Over-voltage protect	70 V _{DC} (ADAM-4051 only)
Support protocol	ADAM-4051: ADAM ASCII and MODBUS/RTU ADAM-4052: ADAM ASCII
Watchdog timer	ADAM-4051: System (1.6 second) and communication ADAM-4052: System (1.6 second)
Power supply	+10 to +30 V _{DC} (non-regulated)
Power consumption	ADAM-4051: Typical: 0.7 W @ 24 V _{DC} Max.: 1.25 W @ 24 V _{DC} ADAM-4052: 0.4 W @ 24 V _{DC}

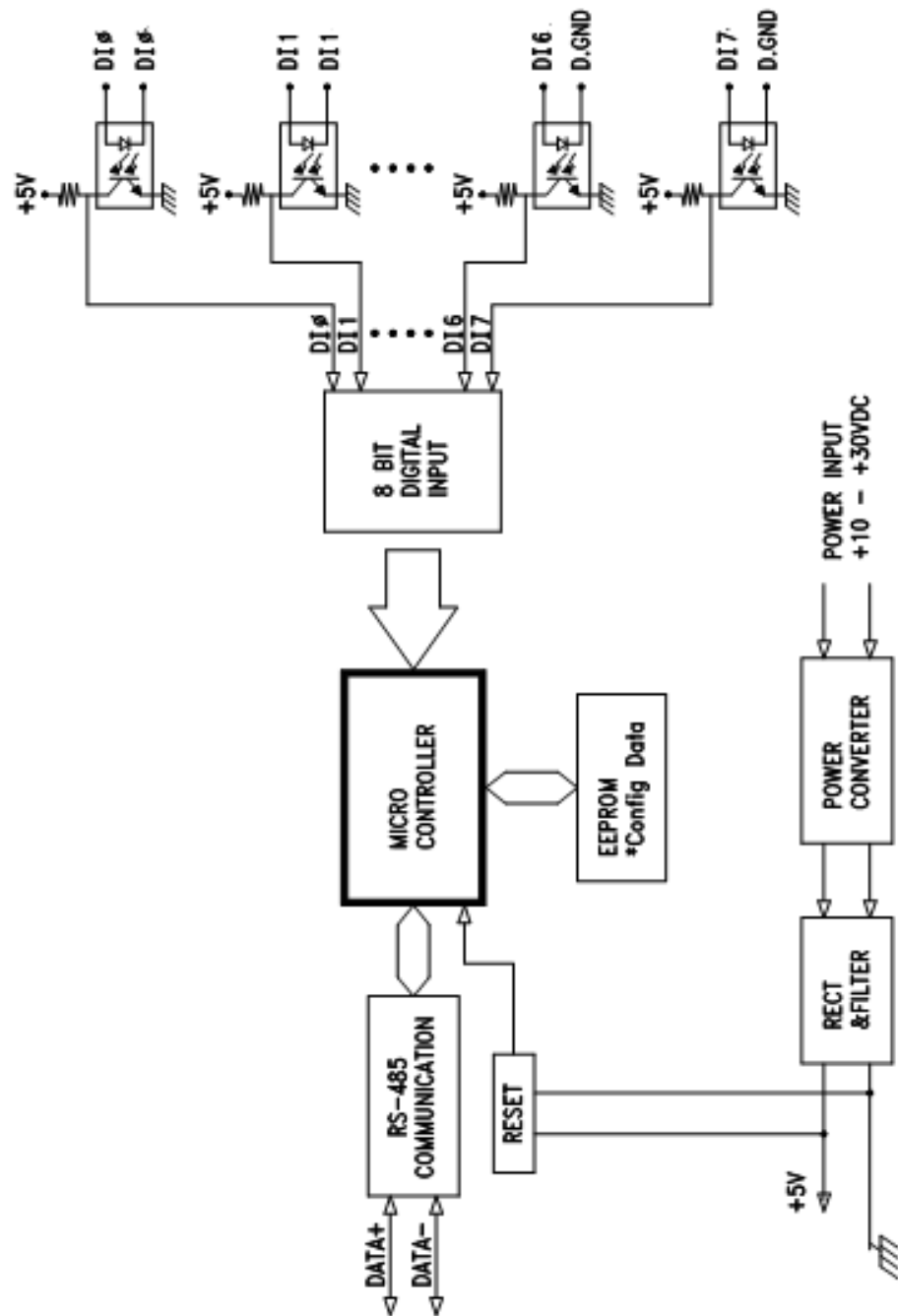


Figure A.7 ADAM-4051/4052 Function Diagram

A.7 ADAM-4053 16-channel Digital Input Module

Table A.9: ADAM-4053 Specifications	
DI/O channel number	16 digital inputs
Input/Output speed (bps) Maximum distance	RS-485 (2-wire) 1200, 2400, 4800, 9600, 19.2K, 38.4K, 57.6K, 115.2K 4000 ft. (1200 m)
Digital input level Dry Contact: logic level 0: logic level 1: Wet Contact: logic level 0: logic level 1:	Close to GND Open +2V maximum +4 to +30 V
Effective distance (Dry contact only)	500 m maximum
Support protocol	ADAM ASCII and MODBUS/RTU
Watchdog timer	1.6 second (System)
Power supply	+10 to +30 V _{DC} (non-regulated)
Power consumption	Typical: 0.4 W @ 24 V _{DC} Max.: 0.7 W @ 24 V _{DC}

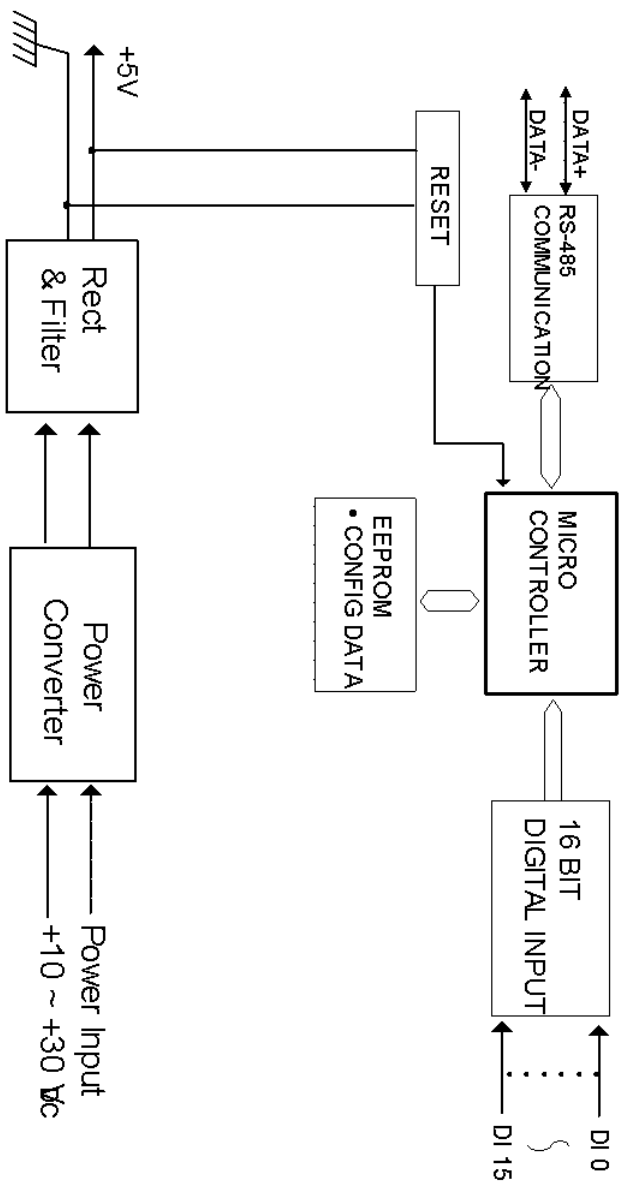


Figure A.8 ADAM-4053 Function Diagram

A.8 ADAM-4055 Isolated Digital Input/Output Module

Table A.10: ADAM-4055 Isolated Digital Input/Output Module	
DI/O channel number	8 digital inputs 8 digital outputs
Input/Output speed (bps) Maximum distance	RS-485 (2-wire) 1200, 2400, 4800, 9600, 19.2K, 38.4K, 57.6K, 115.2K 4000 ft. (1200 m)
Isolation voltage	2500 V _{DC}
Opto-isolator response time	25 μ s
Over-voltage protect	70 V _{DC}
ESD (Electro Static Discharge)	2000 V _{DC}
Digital input level Dry Contact: Logic level 0: Logic level 1: Wet Contact: Logic level 0: Logic level 1:	Open Close to GND +3V maximum +10 to 50V
Digital output Sink-current Power dissipation	Open collector to 40 V 200 mA maximum Channel: 1W maximum Total: 2.2W (8 channels)
LED Indicator:	On: Active Off: Non-active
Support protocol	ADAM ASCII and MODBUS/RTU
Watchdog timer	System (1.6 second) and communication
Power supply	+10 to +30 V _{DC} (non-regulated)
Power consumption	Typical: 1 W @ 24 V _{DC} Max.: 1.7 W @ 24 V _{DC}

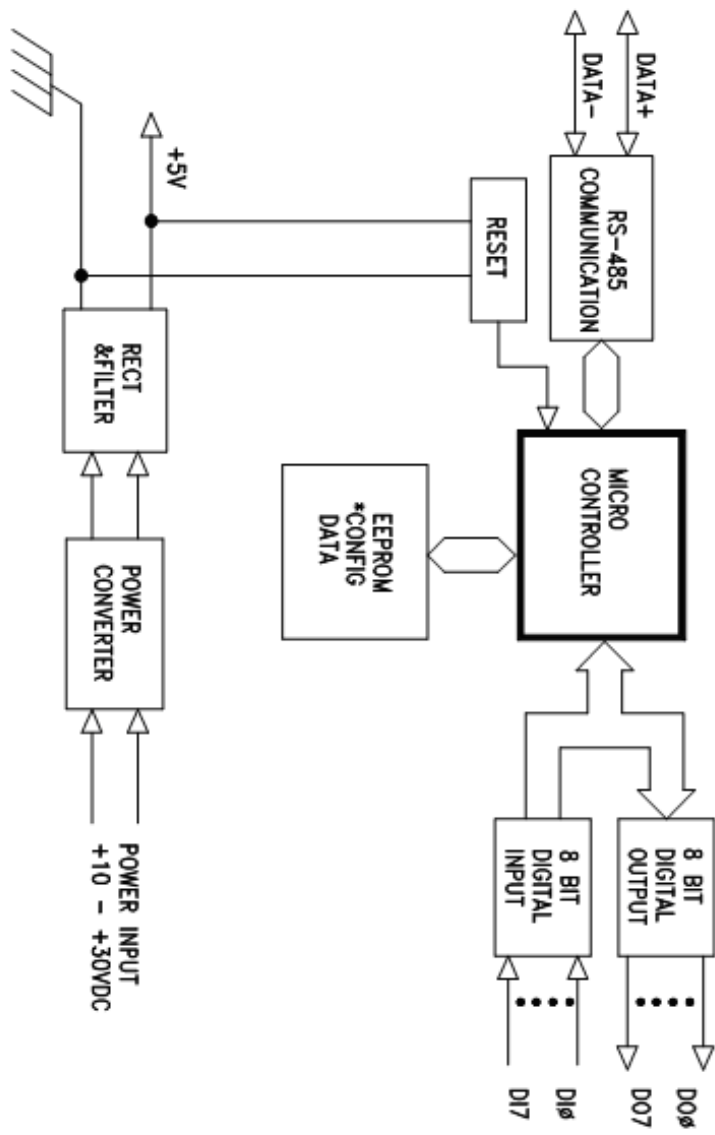


Figure A.9 ADAM-4055 Function Diagram

A.9 ADAM-4056S 12-channel Sink Type Isolated Digital Output Module

Table A.11: ADAM-4056S Specifications	
DO channel number	12 digital outputs (sink type)
Input/Output speed (bps)	RS-485 (2-wire) 1200, 2400, 4800, 9600, 19.2K, 38.4K, 57.6K, 115.2K
Maximum distance	4000 ft. (1200 m)
Digital output Power dissipation	Open Collector to +40V 200 mA maximum Channel: 1W maximum Total: 2.2W (8 channels)
Isolation voltage	5000 V _{DC}
Support protocol	ADAM ASCII and MODBUS/RTU
LED Indicator	On: Active Off: Non-active
Watchdog timer	System (1.6 second) and communication
Power supply	+10 to +30 V _{DC} (non-regulated)
Power consumption	1.0 W @ 24 V _{DC}

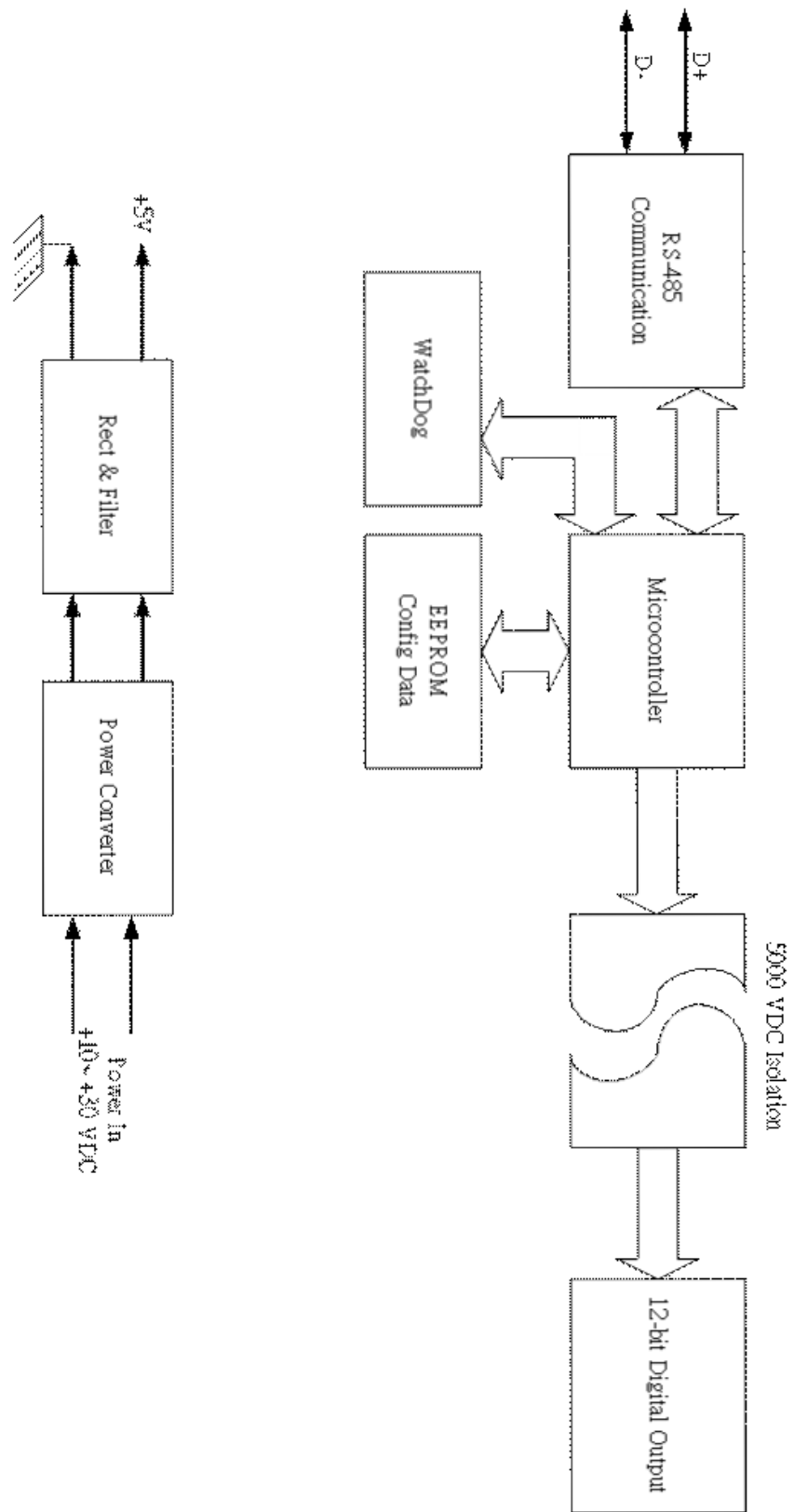


Figure A.10 ADAM-4056S Function Diagram

A.10 ADAM-4056SO 12-channel Source Type Isolated Digital Output Module

Table A.12: ADAM-4056SO Specifications	
DO channel number	12 digital outputs (source type)
Input/Output speed (bps)	RS-485 (2-wire) 1200, 2400, 4800, 9600, 19.2K, 38.4K, 57.6K, 115.2K
Maximum distance	4000 ft. (1200 m)
Digital output	VCC: +10~ +35V 1A (per Channel)
Isolation voltage	5000 V _{DC}
Support protocol	ADAM ASCII and MODBUS/RTU
LED Indicator	On: Active Off: Non-active
Watchdog timer	System (1.6 second) and communication
Power supply	+10 to +30 V _{DC} (non-regulated)
Power consumption	Typical: 0.3 W @ 24 V _{DC} Max.: 0.5 W @ 24 V _{DC}

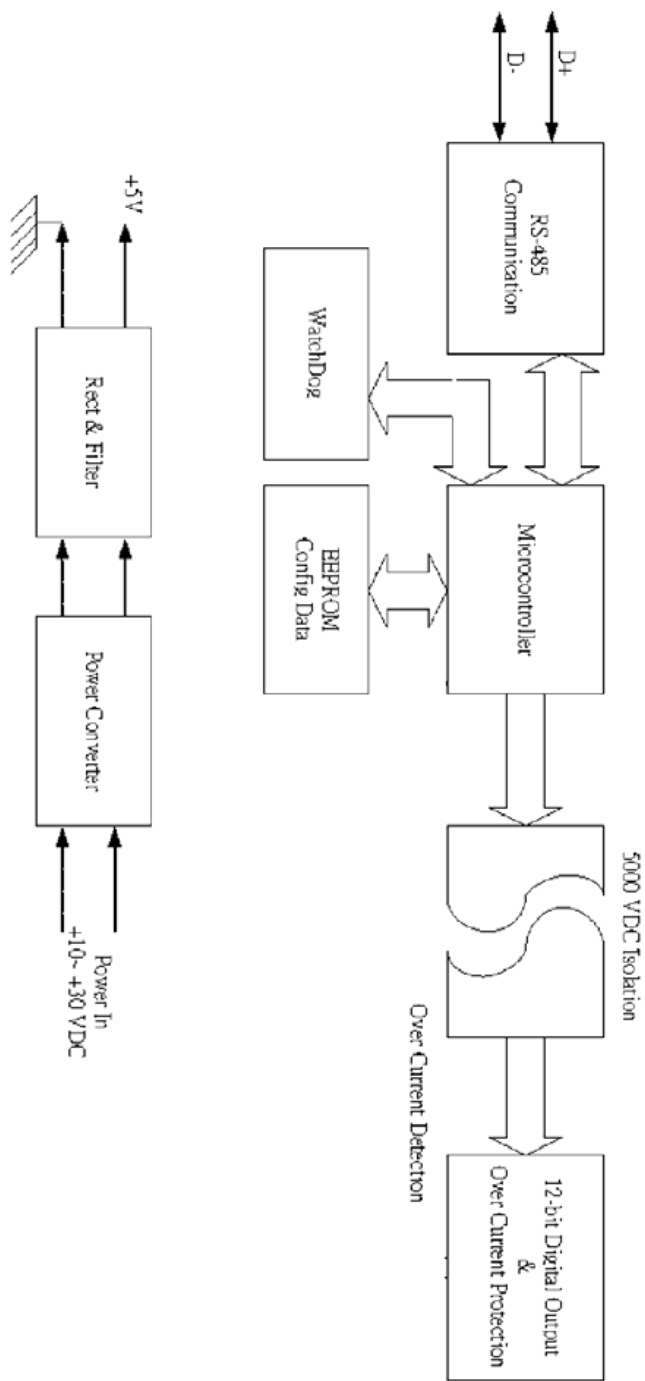


Figure A.11 ADAM-4056SO Function Diagram

A.11 ADAM-4060 Relay Output Module

Table A.13: ADAM-4060 Specifications	
DO channel number	4 channel relay (2 form A, 2 form C)
Input speed (bps)	RS-485 (2-wire) 1200, 2400, 4800, 9600, 19.2K, 38.4K, 57.6K, 115.2K
Maximum distance	4000 ft. (1200 m)
Contact rating (Resistive)	AC: 0.6 A @ 125 V 0.3 A @ 250 V DC: 2 A @ 30 V 0.6 A @ 110 V
Breakdown voltage	500 VAC (50/60 Hz)
Relay on time (typical)	4 ms
Relay off time (typical)	5 ms
Total switching time (typical)	10 ms
Insulation resistance	100 M Ω minimum at 500 V _{DC}
Support protocol	ADAM ASCII and MODBUS/RTU
Watchdog timer	1.6 second (System)
Power supply	+10 to +30 V _{DC} (non-regulated)
Power consumption	Typical: 0.9 W @ 24 V _{DC} Max.: 1.3 W @ 24 V _{DC}

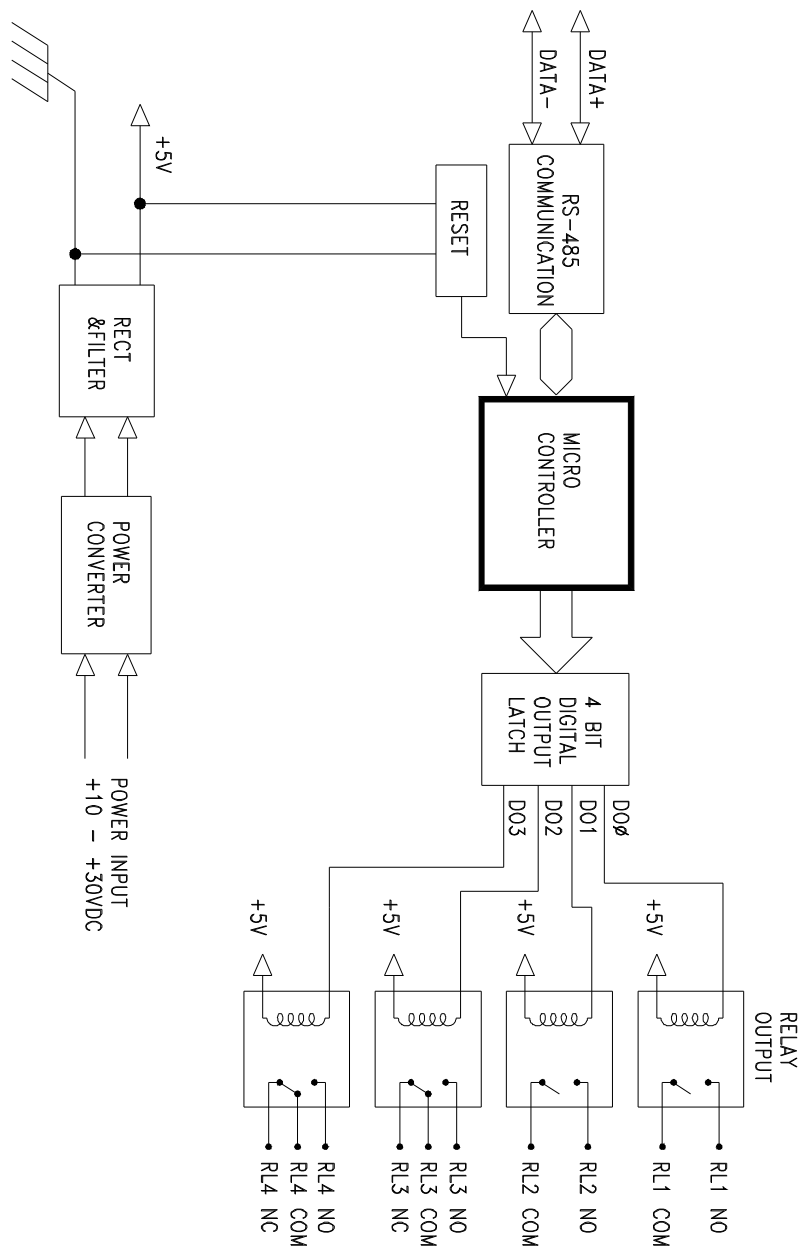


Figure A.12 ADAM-4060 Function Diagram

A.12 ADAM-4068/4069 8-Channel Relay Output Module

Table A.14: ADAM-4068/4069 Specifications	
DO channel number	8 channel relay (4 form A, 4 form C)
Contact rating (Resistive)	ADAM-4068: AC: 0.6A @ 125V 0.3A @ 250V DC: 2A @ 30V 0.6 @ 110V ADAM-4069: AC: 5A @ 240V DC: 5A @ 30V
Breakdown voltage	ADAM-4068: 500 VAC (50/60 Hz) ADAM-4069: 1000 VAC (50/60 Hz)
Insulation resistance	1 GΩ minimum at 500 V _{DC}
Relay on time (typical)	ADAM-4068: 3 ms ADAM-4069: 5 ms
Relay off time (typical)	ADAM-4068: 4 ms ADAM-4069: 5.6 ms
Support protocol	ADAM ASCII and MODBUS/RTU
Watchdog timer	System (1.6 second) and communication
Power supply	+10 to +30 V _{DC} (non-regulated)
Power consumption	ADAM-4068: Typical: 1 W @ 24 V _{DC} Max.: 1.7 W @ 24 V _{DC} ADAM-4069: Typical: 1.3 W @ 24 V _{DC} Max.: 2.3 W @ 24 V _{DC}

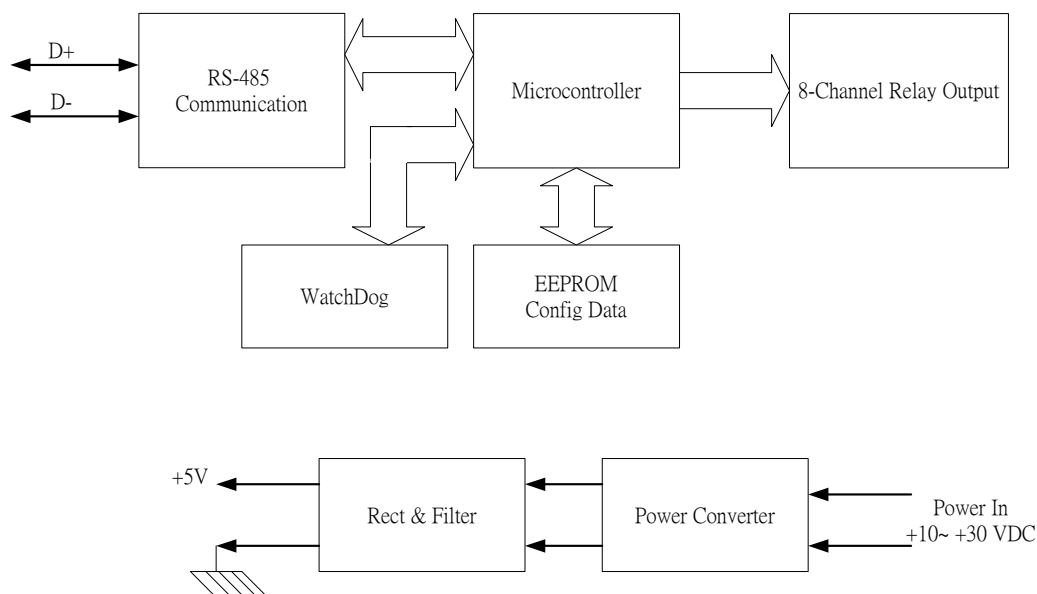


Figure A.13 ADAM-4068/4069 Function Diagram

A.13 ADAM-4080 Counter/Frequency Input Module

Table A.15: ADAM-4080 Specifications	
Input channel number	2 independent 32-bit counters
Input frequency	50 kHz maximum
Input mode	Isolated or non-isolated
Isolation input level Logic level 0 Logical level 1	+1 V maximum +3.5 V to +30 V
Isolation voltage	2500 VRMS
Non-isolation input level Logic level 0 Logic level 1	Programmable threshold 0 to +5 V (default = 0.8 V) 0 to +5 V (default = 2.4 V)
Input pulse width	>10 μ sec
Maximum count	4,294,967,295 (32 bits)
Programmable digital noise filter	2 μ sec to 65 msec
Alarming	Alarm comparators on each counter
Preset type	Absolute or relative
Frequency measurement Range Programmable built-in gate time	5 Hz to 50 KHz 1.0/0.1 sec
Digital output channels Sink current Power dissipation	2 channels open collector to 30 V 30 mA max. load 300 mW
Support protocol	ADAM ASCII and MODBUS/RTU
Watchdog timer	1.6 second (System)
Power requirements	+10 to +30 V _{DC} (non-regulated)
Power consumption	2.0 W@ 24 V _{DC}

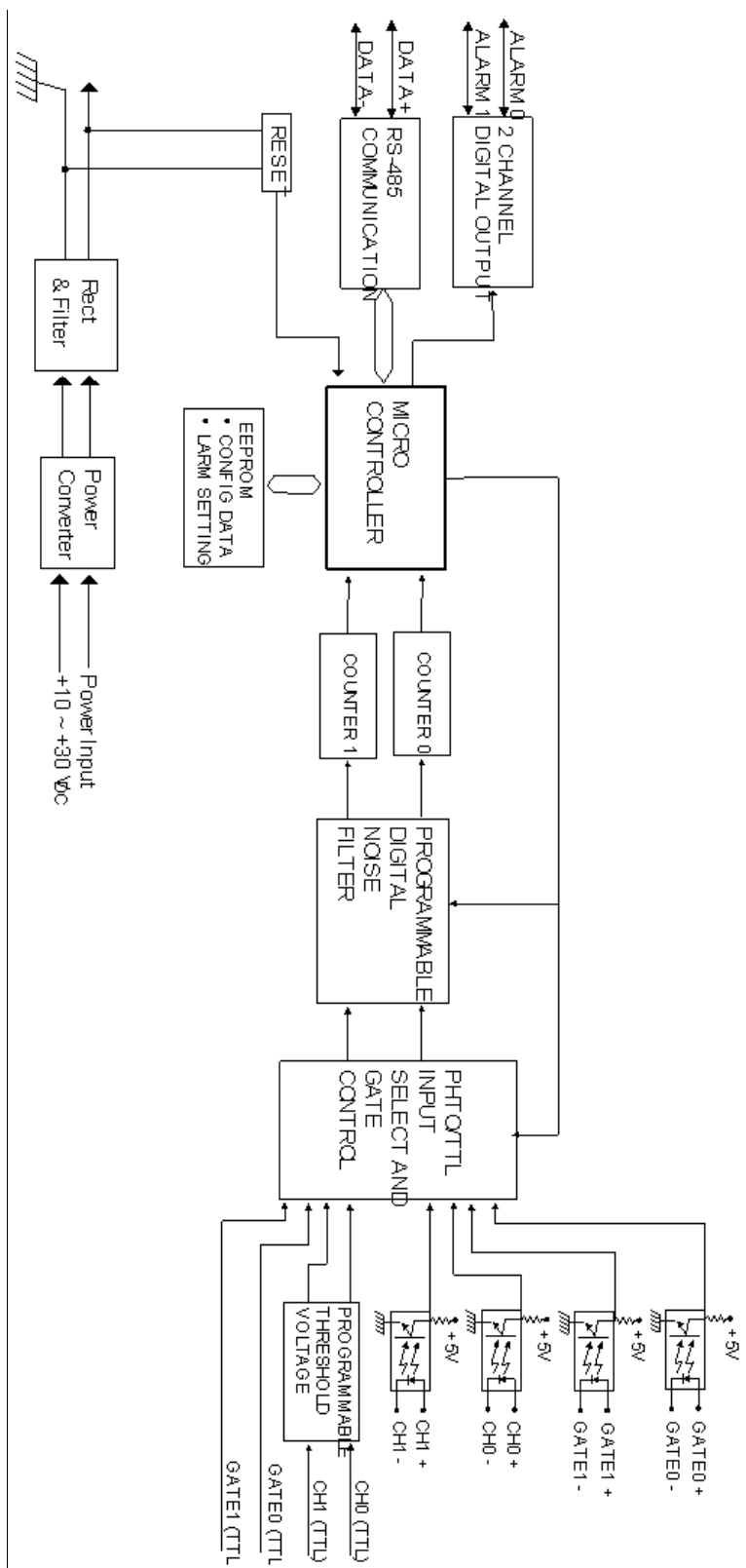


Figure A.14 ADAM-4080 Function Diagram

Appendix **B**

Data Formats and I/O
Ranges

B.1 Analog Input Formats

The ADAM analog input modules can be configured to transmit data to the host in one of the following data formats:

- Engineering Units
- Percent of FSR
- Two's complement hexadecimal
- Ohms

B.1.1 Engineering Units

Data can be represented in engineering units by assigning bits 0 and 1 of the data format/checksum/integration time parameter with value 00.

This format presents data in standard units such as degrees, volts, millivolts and milliamps. When the value in engineering format is converted to computer language, it is presented in seven characters. These characters may include sign and decimals. However, the number of characters cannot exceed seven.

Data is grouped into a plus (+) or minus (-) sign, followed by five decimal digits and a decimal point. The input range which is employed determines the resolution or the number of decimal places used as illustrated in the following examples:

Example 1

The input value is -2.65 and the corresponding analog input module is configured for a range of ± 5 V. The response to the Analog Data In command is: -2.6500 (cr)

Example 2

The input value is 305.5°C, and the analog input module is configured for a type J thermocouple whose range is (0°C to 760°C). The response to the Analog Data In command is: +305.50 (cr)

Example 3

The input value is +5.653 V. The analog input module is configured for a ± 5 V range. When the engineering unit format is used, the ADAM Series analog input modules are configured so that they automatically provide an over-range capability. The response to the Analog Data In command in this case is: +5.6530 (cr)

B.1.2 Percent of FSR

This mode is used by setting bits 0 and 1 of the data format/checksum/integration time parameter to 01. The format used in Percent of FSR consists of a plus (+) or minus (-) sign followed by five decimal digits including a decimal point. The maximum possible resolution is 0.01% with the decimal point fixed.

Data are given as the ratio of the input signal to the full-scale range.

Example 1

The input value is +2.0 V. The input module is configured for a range of ± 5 V. The response to the Analog Data In command is as follows: +040.00 (cr)

The full calibrated voltage range ranges from -100% to 100% as voltage input ranges are always bipolar. A ± 5 V input would range from -5 V (-100%) to 5 V (100%).

In this example the input is represented by +40% of the full-scale range which equals to $(+40/100) \times 5 \text{ V} = +2.0 \text{ V}$ the actual input value.

Example 2

The input value is 652.50 C, and a type E thermocouple (0°C to 1000°C) is configured in the analog input module. The response to the Analog Data In command is: +065.25 (cr)

The result shows that the value of the input (652.5°C) is 65.25% of the full-scale range (1000°C).

Thermocouple input ranges are always assumed to be bipolar with zero being the point of symmetry. This holds true regardless of the specified range of operation. For example, when we use a type J thermocouple (0°C to 760°C), 760°C corresponds to +100% and 0°C corresponds to 0%. Even if 0°C lies outside of the specified operation range for the thermocouple, zero will remain as the point of symmetry. For instance, a type B thermocouple is specified for operation from +500°C to +1800°C. In this case +1800°C corresponds to + 100% and 500°C corresponds to +27.77%.

The percentage is related to the full span of the configured range. For instance, a nickel RTD is specified for -80°C to +100°C. Then, the lower value of -80°C equals to 0% of span and the upper value of +100°C equals to 100% of span.

In the FSR mode, an over-range feature is automatically invoked by the ADAM analog input modules if the value exceeds the uppermost value of the input range. For instance, an analog module which is configured for a ± 5 V range has one of the values reading + 5.5V. The resulting value would then be 110%.

The readings must fall within the input range for accuracy assurance. Although they are typically linear readings, anything which falls between $\pm 100\%$ and $\pm 115\%$ limits may not be accurate. Furthermore, readings beyond these limits are neither accurate nor linear.

B.1.3 Two's complement hexadecimal

Two's Complement Hexadecimal format presents the data in ASCII hexadecimal form providing a rapid communication, high resolution and easy conversion to computer-compatible integer format.

In order to indicate two's complement hexadecimal, bits 0 and 1 of the data format/checksum/integration time parameter must be set to 10. This format displays data in the form of a 4-character hexadecimal string.

This string represents a 16-bit two's complement binary value. Positive full scale is denoted as 7FFF (+32,767) while negative full scale is represented by the value 8000 (-32,768). The resolution is digit one at the least significant bit (LSB) of 16 bits.

Example

The input value is -1.234 V. An analog input module is configured for a ± 5 V range. The value returned is: E069 (cr)

This value is equivalent to the signed integer -8087.

Input ranges with voltage and milliamp values are used with the full calibrated voltage range from 8000 to 7FFF. For instance, an ADAM-4011 module is given a ± 5 V input range. In this case, -5 V is represented as 8000h and +5 V is denoted as 7FFFh.

When thermocouple input ranges are used, an input range which is bipolar and symmetric at zero is assumed. The following table provides several examples.

Thermocouple Type	Temperature Range (Degrees)	Temperature Range (Hex)
J	0° C to 760° C	0000h - 7FFFh
T	-100° C to 400° C	E000h - 7FFFh
R	500° C to 1750° C	2492h - 7FFFh

The given span of the specified range is used to determine the RTD input ranges for two's complement hexadecimal values. For an example, if the nickel RTD is specified for the range -80°C to +100°C, the corresponding values in hexadecimal notation would be 8000h to 7FFFh.

B.1.4 Ohms

To indicate ohms, set bits 0 and 1 of the data format/checksum/integration time parameter to 11.

The ohms format allows you to read the value of the RTD resistance in ohms. It consists of a "+" or "-" sign followed by five decimal digits and a decimal point. The resolution (position of the decimal point) of Platinum-Nickel RTDs is 10 m Ω . (two decimal places).

For example, a 100 Ω platinum RTD specified for -100°C to +100°C has +100°C corresponding to +138.50 Ω and -100°C corresponding to +060.60 Ω .

The measurable resistance values are as given below:

The format is **Type, Bottom Tem. (ohm) ~ Top Temp. (ohm)**

BA1	-200(7.95) ~ 600(145.85)
PT-100 (0.385)	-50(80.31) ~ +150(157.31)
PT-100 (0.392)	-50(79.96) ~ +150(158.29)
PT-100 (0.385)	0(100.00) ~ +100(138.50)
PT-100 (0.392)	0(100.00) ~ +100(139.16)
PT-100 (0.385)	0(100.00) ~ +200(175.84)
PT-100 (0.392)	0(100.00) ~ +200(177.13)
PT-100 (0.385)	0(100.00) ~ +400(247.04)
PT-100 (0.392)	0(100.00) ~ +400(249.56)
PT-100 (0.385)	-200(18.49) ~ +200(175.84)
PT-100 (0.392)	-200(18.49) ~ +200(177.13)
PT-1000	-40(842.7) ~ +160(1610.4)
Balco-500	-30(397.05) ~ +120(723.44)
Ni604-518	-80(410.73) ~ +100(917.33)
Ni604-518	0(604) ~ +100(917.33)
Ni508A	0(507) ~ 100(772)
Ni508B	-50(400.14) ~ 200(1099.89)

B.2 Analog Input Ranges

Input Range Description	Data Formats	+F.S.	Zero	-F.S.	Displayed Resolution
±15 mV	Engineering Units	+15.000	±00.000	-15.000	1 μV
	% of FSR	+100.00	±000.00	-100.00	0.01%
	Two's Complement	7FFF	0000	8000	1 LSB*
±50 mV	Engineering Units	+50.000	±00.000	-50.000	1 μV
	% of FSR	+100.00	±000.00	-100.00	0.01%
	Two's Complement	7FFF	0000	8000	1 LSB*
±100 mV	Engineering Units	+100.00	±000.00	-100.00	10 μV
	% of FSR	+100.00	±000.00	-100.00	0.01%
	Two's Complement	7FFF	0000	8000	1 LSB*
±150 mV	Engineering Units	+150.00	±000.00	-150.00	10 μV
	% of FSR	+100.00	±000.00	-100.00	0.01%
	Two's Complement	7FFF	0000	8000	1 LSB*
±500 mV	Engineering Units	+500.00	±000.00	-500.00	10 μV
	% of FSR	+100.00	±000.00	-100.00	0.01%
	Two's Complement	7FFF	0000	8000	1 LSB*
±1 V	Engineering Units	+1.0000	±0.0000	-1.0000	100.00 μV
	% of FSR	+100.00	±000.00	-100.00	0.01%
	Two's Complement	7FFF	0000	8000	1 LSB*
±2.5 V	Engineering Units	+2.5000	±0.0000	-2.5000	100.00 μV
	% of FSR	+100.00	±000.00	-100.00	0.01%
	Two's Complement	7FFF	0000	8000	1 LSB*
±5 V	Engineering Units	+5.0000	±0.0000	-5.0000	100.00 μV
	% of FSR	+100.00	±000.00	-100.00	0.01%
	Two's Complement	7FFF	0000	8000	1 LSB*
±20 mA	Engineering Units	+20.000	±00.000	-20.000	1 μA
	% of FSR	+100.00	±000.00	-100.00	0.01%
	Two's Complement	7FFF	0000	8000	1 LSB*
0~20 mA	Engineering Units	+20.000	+00.000	x	1 μA
	% of FSR	+100.00	+000.00	x	0.01%
	Two's Complement	7FFF	0000	x	1 LSB*
4~20 mA	Engineering Units	+20.000	±00.000	x	1 μA
	% of FSR	+100.00	±000.00	x	0.01%
	Two's Complement	7FFF	0000	x	1 LSB*
±10 V	Engineering Units	+10.000	±00.000	-10.000	100.00 μV
	% of FSR	+100.00	±000.00	-100.00	0.01%
	Two's Complement	7FFF	0000	8000	1 LSB*

Input Range Description	Data Formats	Maximum Specified Signal	Minimum Speciated Signal	Displayed Resolution
Type J Thermocouple 0°C to 760°C	Engineering Units	+760.000	+000.00	0.01°C
	% of FSR	+100.00	+000.00	0.01%
	Two's Complement	7FFF	0000	1 LSB*
Type K Thermocouple 0°C to 1370°C	Engineering Units	+1370.0	+0000.0	0.1°C
	% of FSR	+100.00	+000.00	0.01%
	Two's Complement	7FFF	0000	1 LSB*
Type T Thermocouple -100°C to 400°C	Engineering Units	+400.00	-100.00	0.01°C
	% of FSR	+100.00	-0.25.00	0.01%
	Two's Complement	7FFF	E000	1 LSB*
Type E Thermocouple 0°C to 1000°C	Engineering Units	+1000.0	+0000.0	0.1°C
	% of FSR	+100.00	+000.00	0.01%
	Two's Complement	7FFF	0000	1 LSB*
Type R Thermocouple 500°C to 1750°C	Engineering Units	+1750.0	+0500.0	0.1°C
	% of FSR	+100.00	+028.57	0.01%
	Two's Complement	7FFF	2492	1 LSB*
Type S Thermocouple 500°C to 1750°C	Engineering Units	+1750.0	+0500.0	0.1°C
	% of FSR	+100.00	+028.57	0.01%
	Two's Complement	7FFF	2492	1 LSB*
Type B Thermocouple 500°C to 1800°C	Engineering Units	+1800.0	+0500.0	0.1°C
	% of FSR	+100.00	+027.77	0.01%
	Two's Complement	7FFF	2381	1 LSB*
Type N Thermocouple -200°C to 1300°C	Engineering Units	+1300.0	-0200.0	0.1°C
	% of FSR	+100.00	-15.38	0.01%
	Two's Complement	7FFF	EC4F	1 LSB*
100.00 Ω Platinum RTD $\alpha = .00385$ -100°C to 100°C	Engineering Units	+100.00	-100.000	0.1°C
	% of FSR	+100.00	+000.00	0.01%
	Two's Complement	7FFF	8000	1 LSB*
	Ohms	+138.50	+060.60	10 mΩ
100.00 Ω Platinum RTD $\alpha = .00385$ 0°C to 100°C	Engineering Units	+100.000	+000.00	0.1°C
	% of FSR	+100.00	+000.00	0.01%
	Two's Complement	7FFF	0000	1 LSB*
	Ohms	+138.50	+100.00	10 mΩ
100.00 Ω Platinum RTD $\alpha = .00385$ 0°C to 200°C	Engineering Units	+200.00	+000.00	0.01°C
	% of FSR	+100.00	+000.00	0.01%
	Two's Complement	7FFF	0000	1 LSB*
	Ohms	+175.84	+100.00	10 mΩ
100.00 Ω Platinum RTD $\alpha = .00385$ 0°C to 600°C	Engineering Units	+600.00	+000.00	0.01°C
	% of FSR	+100.00	+000.00	0.01%
	Two's Complement	7FFF	0000	1 LSB*
	Ohms	+313.59	+100.00	10 mΩ

100.00 Ω Platinum RTD $\alpha = .00392$ -100°C to 100°C	Engineering Units	+00.00	-100.00	0.01°C
	% of FSR	+100.00	+000.00	0.01%
	Two's Complement	7FFF	8000	1 LSB*
	Ohms	+139.16	+060.60	10 m Ω
100.00 Ω Platinum RTD $\alpha = .00392$ 0°C to 100°C	Engineering Units	+100.00	+000.00	0.01°C
	% of FSR	+100.00	+000.00	0.01%
	Two's Complement	7FFF	0000	1 LSB*
	Ohms	+139.16	+100.00	10 m Ω
100.00 Ω Platinum RTD $\alpha = .00392$ 0°C to 200°C	Engineering Units	+200.00	+000.00	0.01°C
	% of FSR	+100.00	+000.00	0.01%
	Two's Complement	7FFF	0000	1 LSB*
	Ohms	+177.13	+100.00	10 m Ω
100.00 Ω Platinum RTD $\alpha = .00392$ 0°C to 600°C	Engineering Units	+600.00	+000.00	0.01°C
	% of FSR	+100.00	+000.00	0.01%
	Two's Complement	7FFF	0000	1 LSB*
	Ohms	+317.28	+100.00	10 m Ω
120 Ω Nickel RTD -80°C to 100°C	Engineering Unit	+100.000	-80.00	0.01°C
	% of FSR	+100.00	+000.00	0.01%
	Two's Complement	7FFF	8000	1 LSB*
	Ohms	+200.64	+066.60	10 m Ω
100.00 Ω Nickel RTD $\alpha = .00392$ 0°C to 100°C	Engineering Unit	+100.000	+000.00	0.01°C
	% of FSR	+100.00	+000.00	0.01%
	Two's Complement	7FFF	0000	1 LSB*
	Ohms	+200.64	+120.00	10 m Ω

Note! * Resolution is one LSB of 16 bits



B.3 Analog Output Formats

You can configure ADAM analog output modules to receive data from the host in one of the following data formats:

- Engineering Units
- Percent of FSR
- Two's complement hexadecimal

Data for ADAM modules can be used in any one of the following data formats:

B.3.1 Engineering Units

This format is chosen by setting bits 0 and 1 of the data format / slew rate / checksum parameter to 00.

Data are presented in natural units such as milliamps. When the value in engineering format is converted to computer language, it is presented in six characters. These characters are ordered as two decimal digits, a decimal point, and then three decimal digits. As a result, the resolution is 5 μ A.

For example, an analog output module (address 01h) is configured for a 0 to 20 mA range. If the output value is + 4.762 mA, the format of the Analog Data Out command would be #0104.762(cr).

B.3.2 Percent of Span

The Percent of Span format is employed by setting bits 0 and 1 of the data format/slew rate/checksum parameter to 01.

This format consists of a “+” or “-” sign, three decimal digits, a decimal point and two decimal digits. Data are presented as the value sent by the output signal relative to the span of the output (percent of span).

The maximum resolution is 0.2% of the span (5 μ A for the 0 to 20 mA output range); therefore, the desired output value is 10 mA. The format of the Analog Data Out command is as follows:

#01+050.00 (cr). It indicates that the output is at 50% of the span, and the decimal point is fixed.

B.3.3 Hexadecimal

This format is selected by setting bits 0 and 1 of the data format / slew rate / checksum parameter to 10.

ASCII's condensed hexadecimal representation of data provides high resolution. The format consists of a 3-character hexadecimal string representing a 12-bit binary value. The resolution for the 0 to 20mA output range equals to .025% of the span, which is also equivalent to 5 μ A. The corresponding value for 000 is 0mA; likewise, the value FFF corresponds to 20mA.

B.4 Analog Output Ranges

Range Code (hex)	Input Range Description	Data Formats	Maximum Specified Signal	Minimum Specified Signal	Output Resolution
30	0 to 20 mA	Engineering Units	20.000	00.000	5 μ A
		% of FSR	+100.00	+000.00	5 μ A
		Hexadecimal Binary	FFF	000	5 μ A
31	4 to 20 mA	Engineering Units	20.000	04.000	5 μ A
		% of FSR	+100.00	+000.00	5 μ A
		Hexadecimal Binary	FFF	000	5 μ A
32	0 to 10 V	Engineering Units	10.000	00.000	2.442 mV
		% of FSR	+100.00	+000.00	2.442 mV
		Hexadecimal Binary	FFF	000	2.442 mV

Appendix **C**

Technical Diagrams

C.1 ADAM Dimensions

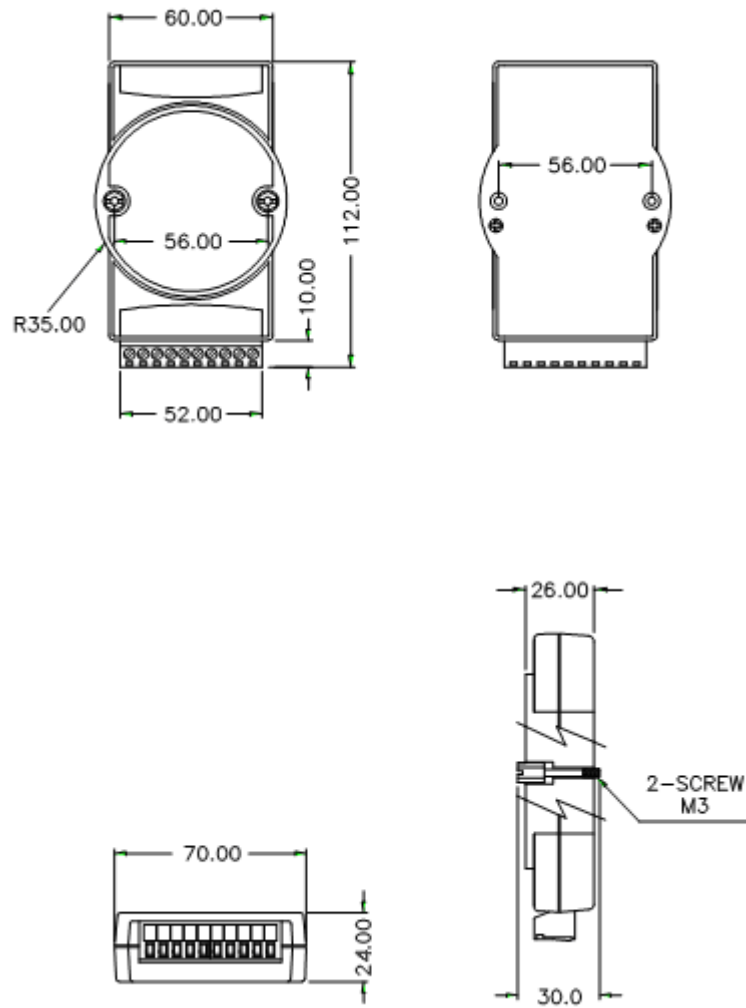


Figure C.1 ADAM Modules Dimensions

C.2 Installation

C.2.1 DIN-Rail Mounting

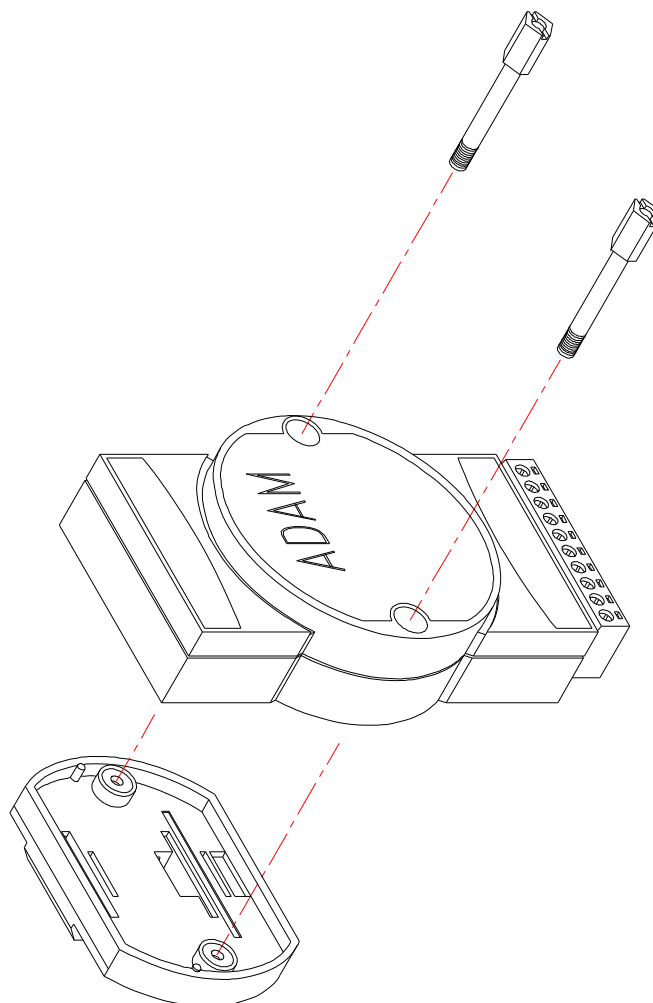


Figure C.2 DIN-Rail Adapter

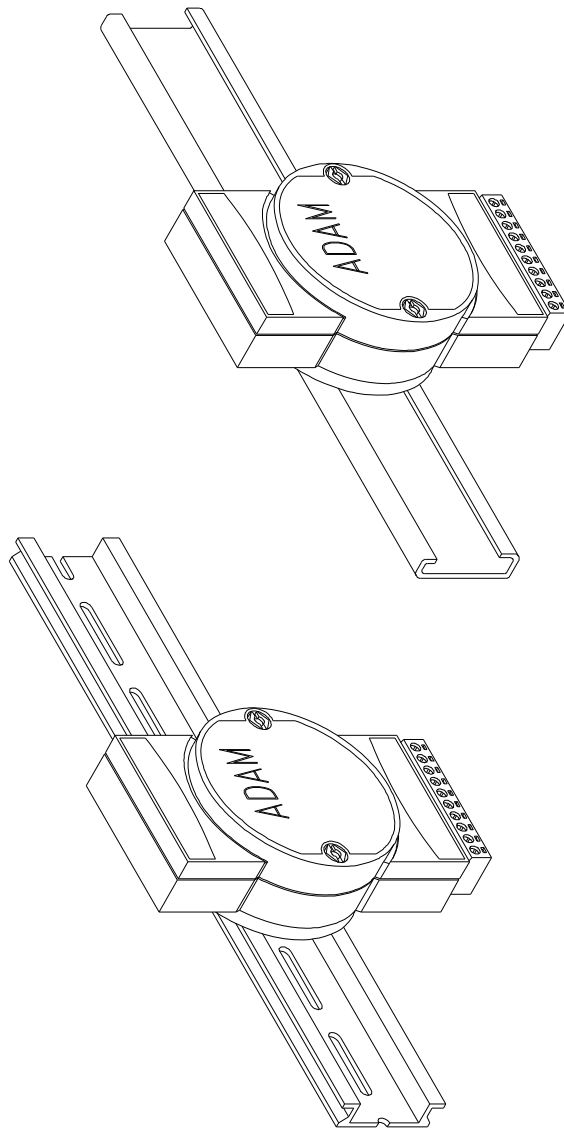


Figure C.3 DIN-Rail Mounting

C.2.2 Panel Mounting

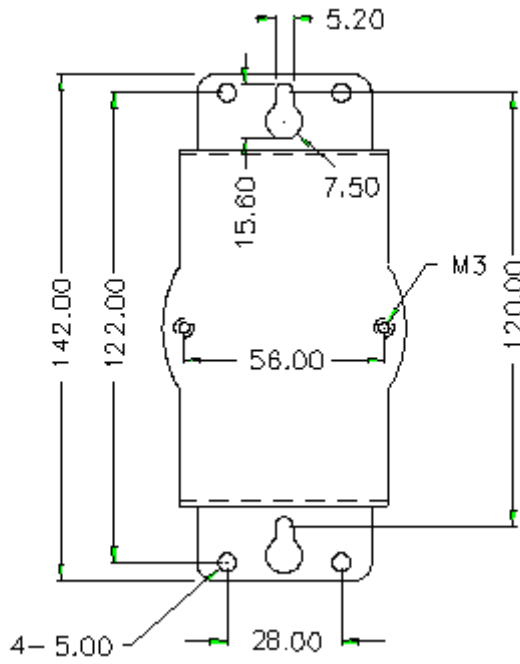


Figure C.4 Panel Mounting Bracket Dimensions

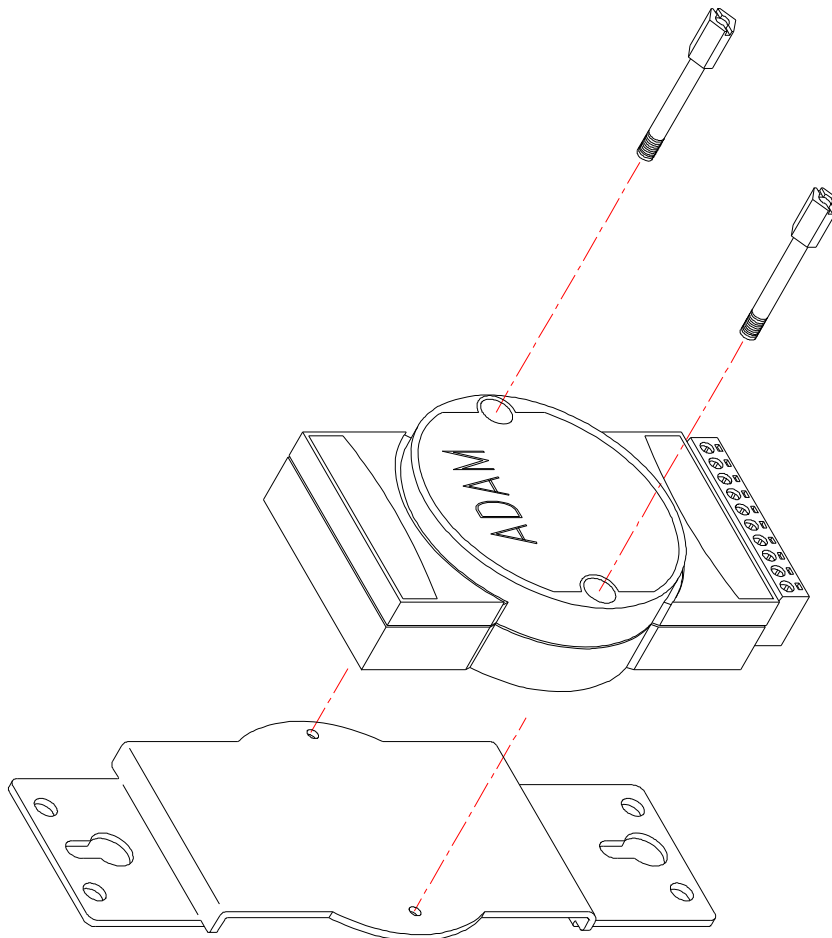


Figure C.5 Panel Mounting

C.2.3 Piggyback Stack

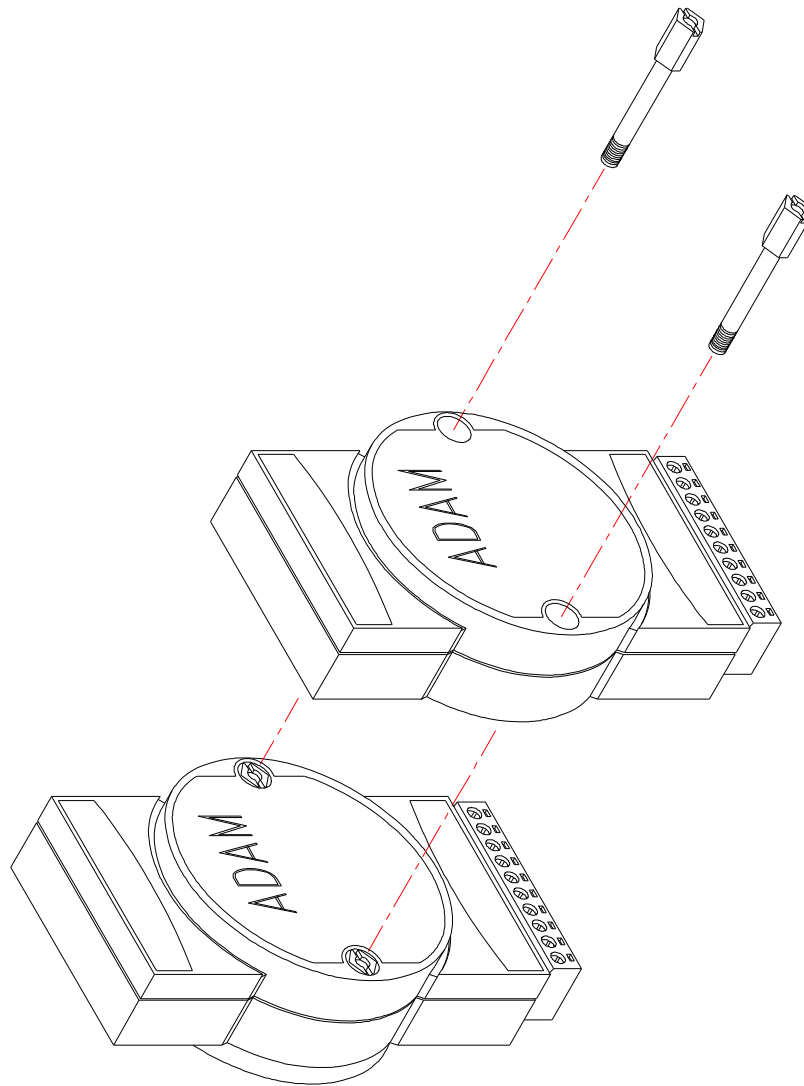


Figure C.6 Piggyback Stack

Appendix **D**

Utility Software

D.1 Adam/Apax .NET Utility Software

Together with the ADAM modules you will find a utility disk containing utility software with the following capabilities:

- Module configuration
- Module calibration
- Data input and output
- Alarm settings
- Autoscan of connected modules
- Terminal emulation

The following text will give you a brief instruction of how to use the program.

Search the installed modules

The main screen consists of a menu bar at the top side of the screen and a status field which displays information about the connected modules. When the modules are connected well, you have to start the program and search the modules by clicking the search icon as below. Please check the COM port and related settings are correct.

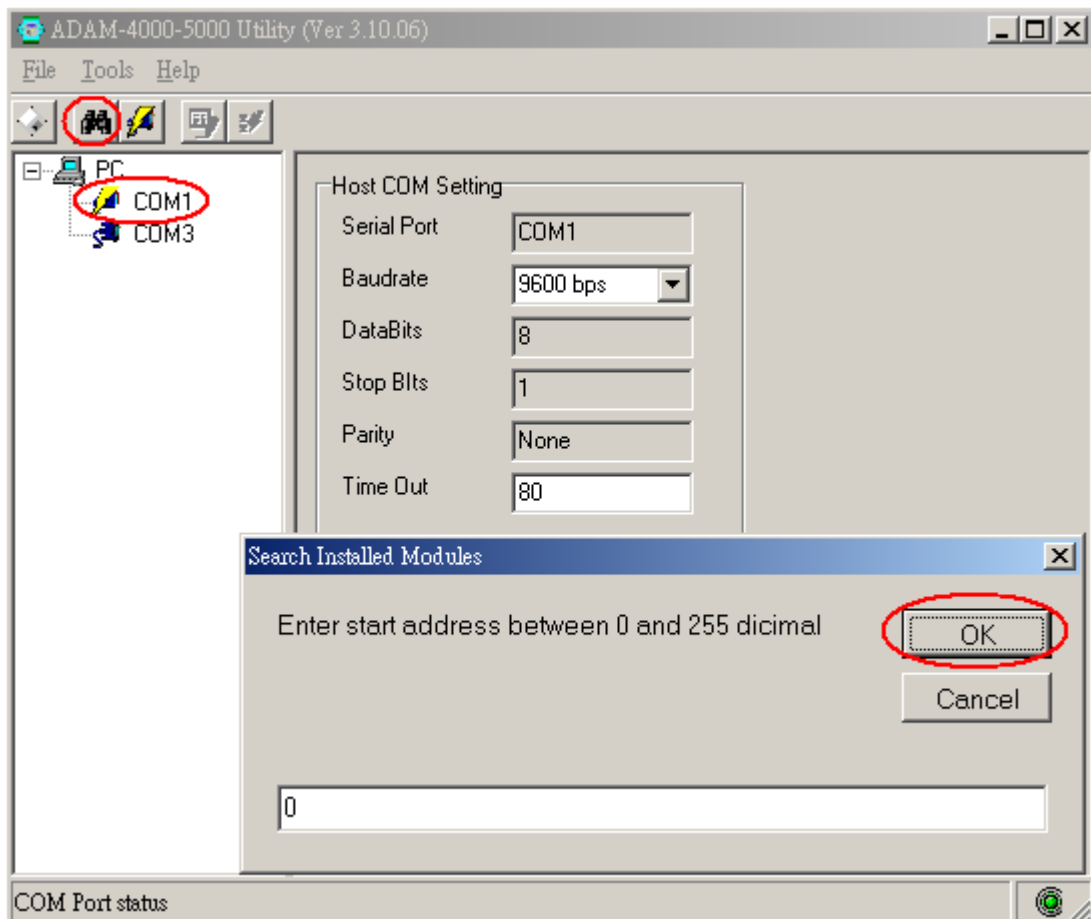


Figure D.1 Search Screen

Caution! When changing configuration, calibration, or alarm parameters, you should always make sure that a window appears notifying you that the target module has confirmed the changes.



An asterisk sign "*" before the module address indicates that the module is in the INIT* state.

Configuration

Click the search module, which you can configure. You will find the Setup page and related settings. An example is shown in Figure D.2 for an ADAM-4011 module.

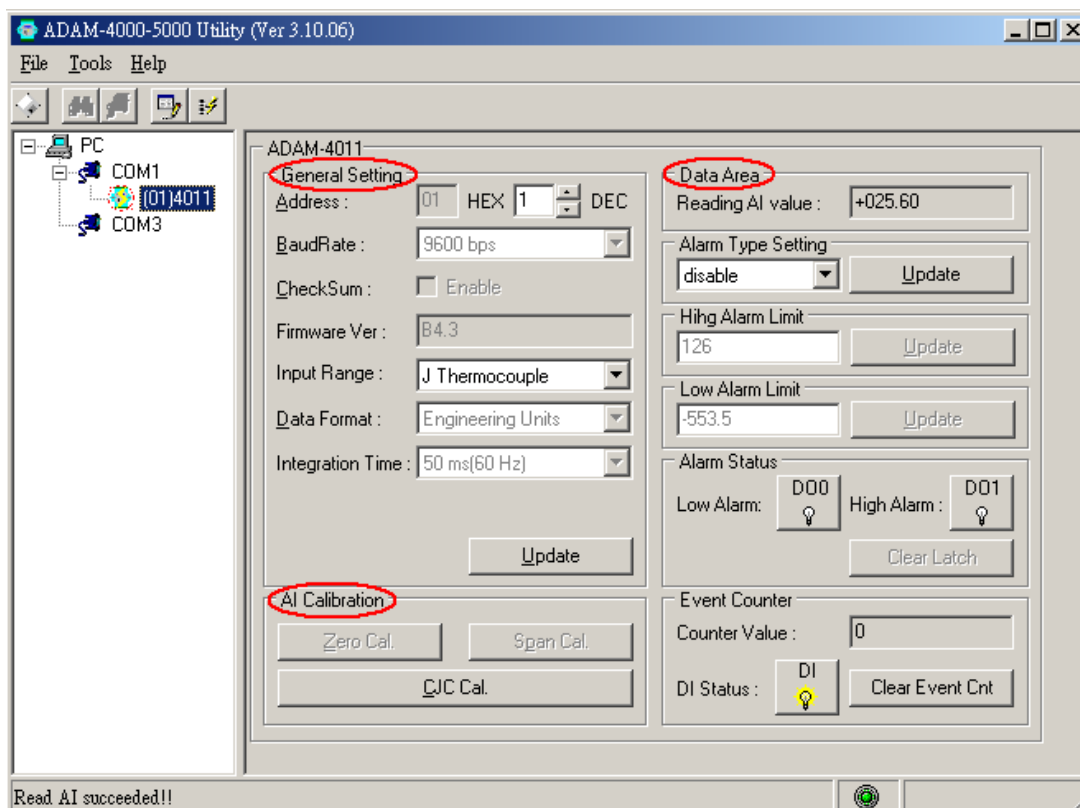


Figure D.2 Configuration Screen

Here there are three major areas, General Setting, Data Area and AI Calibration. You may change the settings by selecting the preferred items and then clicking the Update button.

The Checksum and Baud rate options need special attention since they can only be changed when an ADAM module is in the INIT* state. To place a module in the INIT state, its INIT terminal should be connected to its GND terminal (see Baud rate and Checksum in Chapter 2). When the ADAM module is not in INIT mode, an error message will appear.

After you have made all necessary changes to the module configuration, the utility will display the process data automatically.

Calibration

Please note only analog input and output modules can be calibrated. For example, the ADAM-4011 module has Zero, Span, and CJC calibration items. To learn what steps should be taken to calibrate both input and output modules, please refer to Chapter 8: Calibration.

Terminal Function

When you would like to send and receive commands on the RS-485 line directly, you can use the Terminal function in this utility.

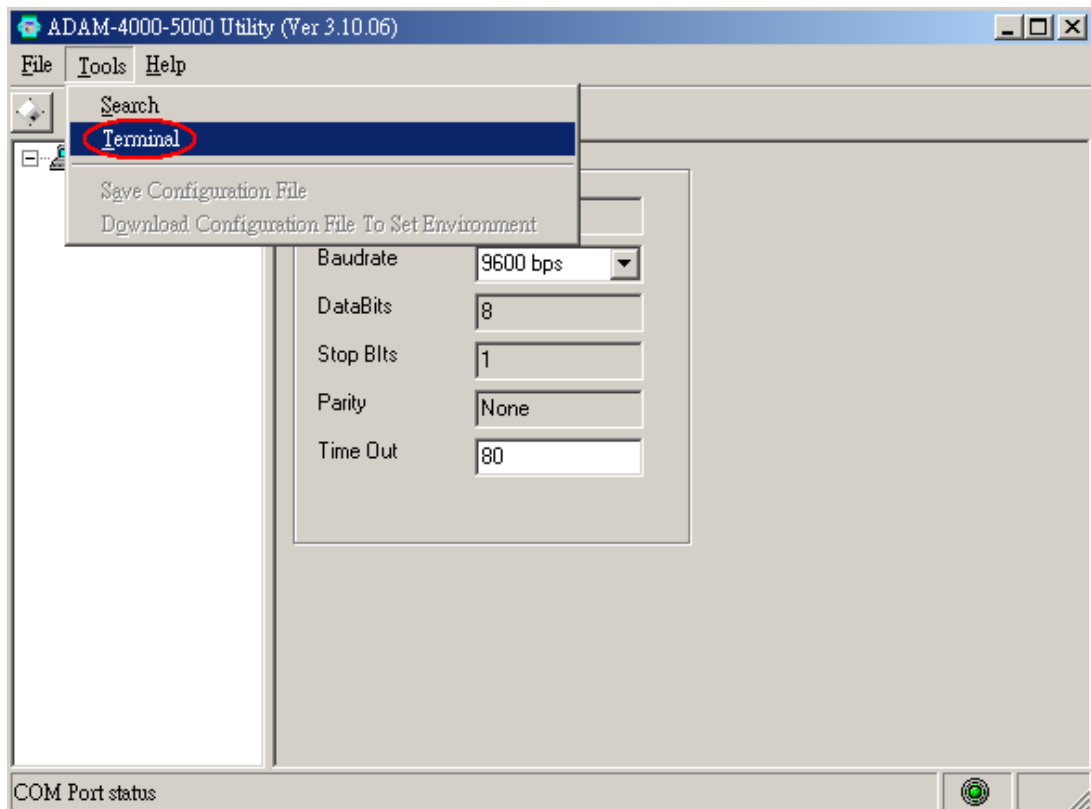


Figure D.3 Terminal Function

You can type the ADAM ASCII command in the text box and click the Send button to test the commands which are listed in the Chapter 4 Command Set.

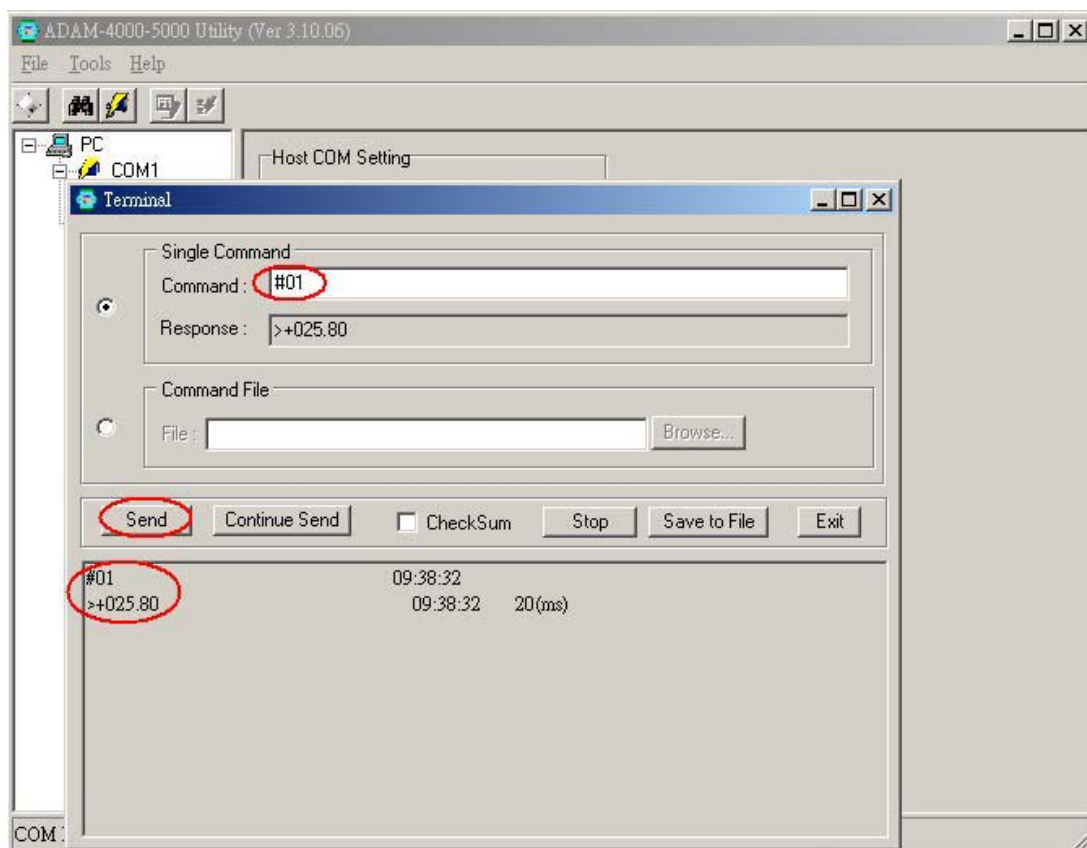
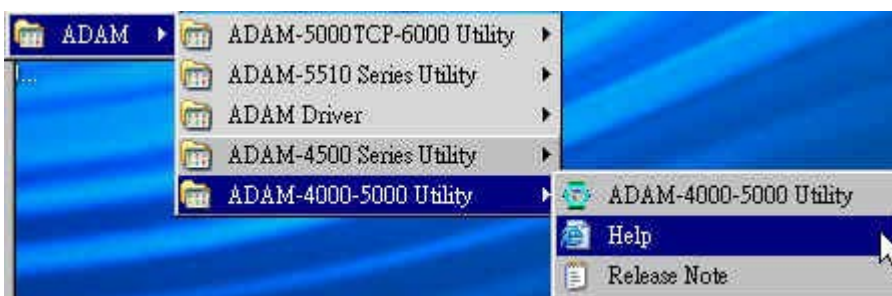


Figure D.4 Terminal Function

Caution! Users can refer to our help file to see more details for an explanation of the Utility operation.



D.2 The Procedure for the ADAM-4000 Series Installation Guide

When a user first gets an ADAM-4000 module, they can refer to the following procedure to configure and operate. Especially, note that the new ADAM-4000 modules will have default factory settings with Address setting 1, and data format 9600, N, 8, 1. Redefine the address to avoid an ID conflict if two or more new modules are used in the same network.

Standard Installation Procedures

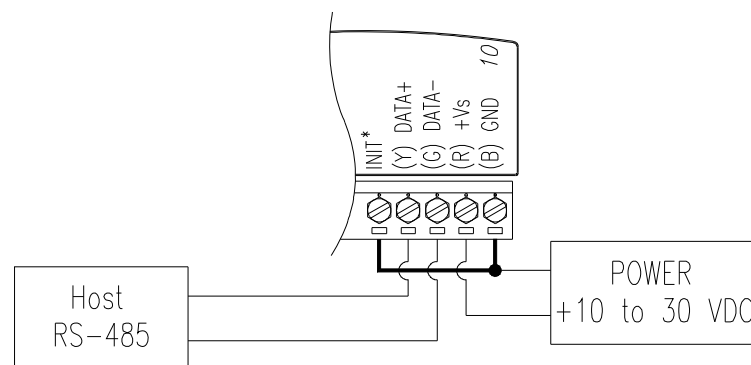
1. Prepare the installation environment

- Host computer
- Isolated RS-232/RS-485 converter
- ADAM module

2. Install the Adam/Apax .NET utility on the host computer

3. Wiring for the ADAM-4000 module

Power Supply & Communication Wiring



Move the hardware switch to Initial mode (For some older Adam models, **use an external wire to connect the INIT* terminal to the GND terminal**. Booting the module while connecting the INIT* terminal with the module's GND terminal forces the configuration into a known state called the INIT* state.)

INIT* state defaults:

Baud rate: 9600
Address: 00h
Checksum: disabled

Forcing the module to the INIT* state does not change any parameters in the module's EEPROM. When the module is in the INIT* state with its INIT* and GND terminals shorted, all configuration settings can be changed, and the module will respond to all other commands normally.

Caution! Init Mode

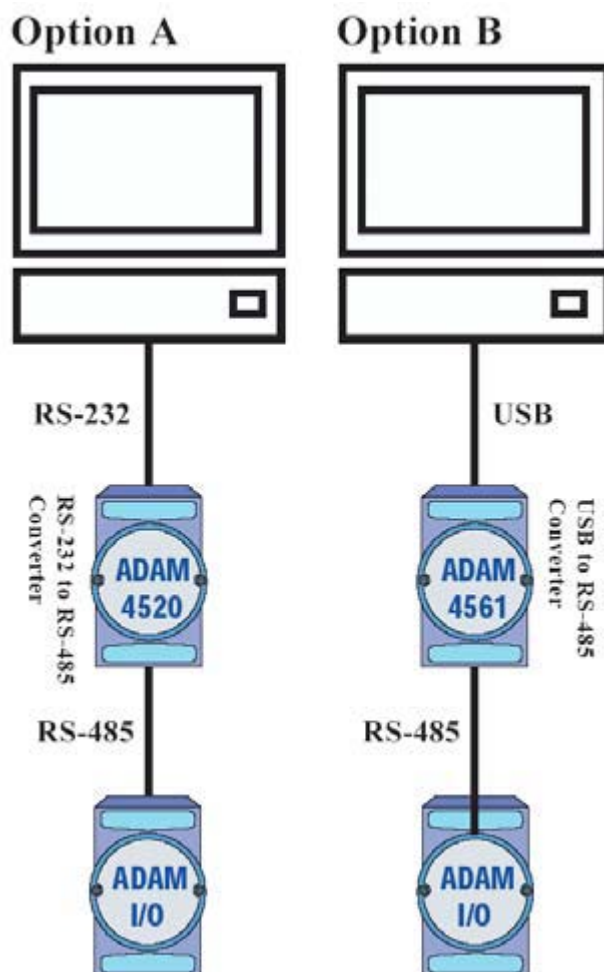


When the switch is set to the initial mode, the module will operate with its factory settings. (Address 0 with data format 9600, N, 8, 1).

Normal Mode

When the switch is set to the normal mode, the module will operate with user-defined settings. A power reset will not alter these settings.

5. Connect the computer to the ADAM I/O module using an RS-232 to RS-485, or USB to RS-485 converter.



6. Use software to configure settings

According to a user's application, parameters such as address, baudrate, data format, checksum, protocol...and so on can be set.

Changing Baud rate and Checksum

Refer to Chapter 2 section 2.3.

Changing the protocol from ADAM ASCII to Modbus

Some ADAM-4000 modules support both ADAM ASCII and Modbus protocols, and the factory default setting of these modules is the ADAM ASCII protocol. If you would like to configure the modules to Modbus protocol, please refer to Appendix H which describes how to change the protocol in the Adam/Apax .NET utility.

7. Save changes and reset power on the ADAM module for settings to take effect.

Appendix **E**

RS-485 Network

E.1 RS-485 Network

EIA RS-485 is industry's most widely used bidirectional, balanced transmission line standard. It is specifically developed for industrial multi-drop systems that should be able to transmit and receive data at high rates or over long distances.

The specifications of the EIA RS-485 protocol are as follows:

- Max line length per segment: 1200 meters (4000 feet)
- Throughput of 10 Mbaud and beyond
- Differential transmission (balanced lines) with high resistance against noise
- Maximum 32 nodes per segment
- Bi-directional master-slave communication over a single set of twisted pair cables
- Parallel connected nodes, true multi-drop

ADAM modules are fully isolated and use just a single set of twisted pair wires to send and receive! Since the nodes are connected in parallel, they can be freely disconnected from the host without affecting the functioning of the remaining nodes. In industry shielded twisted pair is preferable due to the high noise ratio of the environment.

When nodes communicate through the network, no sending conflicts can occur since a simple command/response sequence is used. There is always one initiator (with no address) and many slaves (with address). In this case the master is a personal computer that is connected with its serial, RS-232, port to an ADAM RS-232/RS-485 converter. The slaves are the ADAM I/O modules. When modules are not transmitting data, they are in listen mode. The host computer initiates a command/response sequence with one of the modules. Commands normally contain the address of the module the host wants to communicate with. The module with the matching address carries out the command and sends its response to the host.

E.2 Basic Network Layout

Multi-drop RS-485 implies that there are two main wires in a segment. The connected modules tap from these two lines with so called drop cables. Thus all connections are parallel and connecting or disconnecting of a node doesn't affect the network as a whole. Since ADAM modules use the RS-485 standard, and use an ASCII-based commands set, they can connect and communicate with all ASCII-based computers and terminals. The basic layouts that can be used for an RS-485 network are:

Daisychain

The last module of a segment is a repeater. It is directly connected to the main-wires thereby ending the first segment and starting the next segment. Up to 32 addressable modules can be daisy chained. This limitation is a physical one. When using more modules per segment the IC driver current rapidly decreases, causing communication errors. In total, the network can hold up to 256 addressable modules. The limitation for this number is the two-number hexadecimal address codes that know 256 combinations. The ADAM converter, ADAM repeaters and the host computer are non-addressable units and therefore are not included in these numbers.

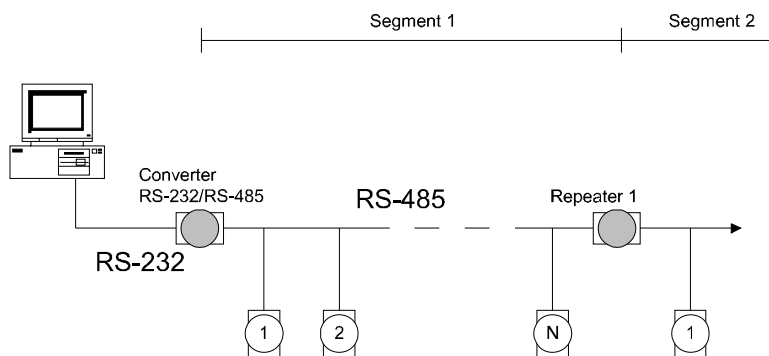


Figure E.1 Daisychaining

Star Layout

In this scheme the repeaters are connected to drop-down cables from the main wires of the first segment. A tree structure is the result. This scheme is not recommended when using long lines since it will cause a serious amount of signal distortion due to a signal reflection in several line endings.

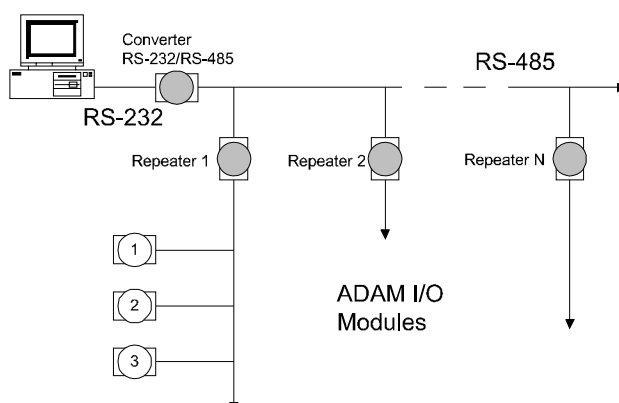


Figure E.2 Star Structure

Random

This is a combination of daisychain and hierarchical structure.

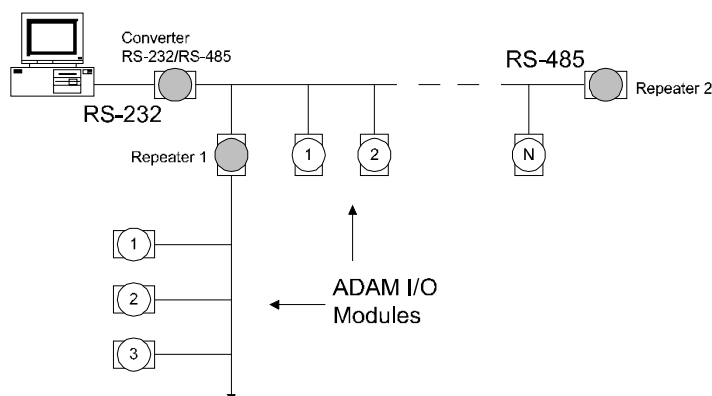


Figure E.3 Random Structure

E.3 Line Termination

Each discontinuity in impedance causes reflections and distortion. When an impedance discontinuity occurs in the transmission line the immediate effect is signal reflection. This will lead to signal distortion. Specially at line ends this mismatch causes problems. To eliminate this discontinuity terminate the line with a resistor.

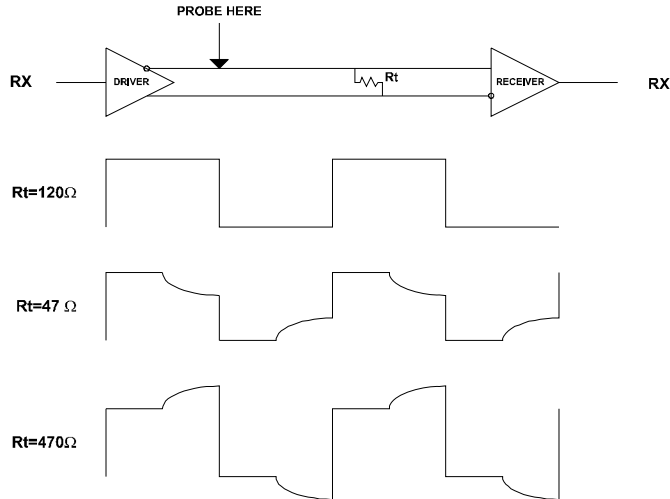


Figure E.4 Signal Distortion

The value of the resistor should be as close as possible to the characteristic impedance of the line. Although receiver devices add some resistance to the whole of the transmission line, normally it is sufficient to the resistor impedance to equal the characteristic impedance of the line.

Example:

Each input of the receivers has a nominal input impedance of 18 k Ω feeding into a diode transistor-resistor biasing network that is equivalent to an 18 k Ω input resistor tied to a common mode voltage of 2.4 V. It is this configuration which provides the large common range of the receiver required for RS-485 systems! (See Figure E.5 below)

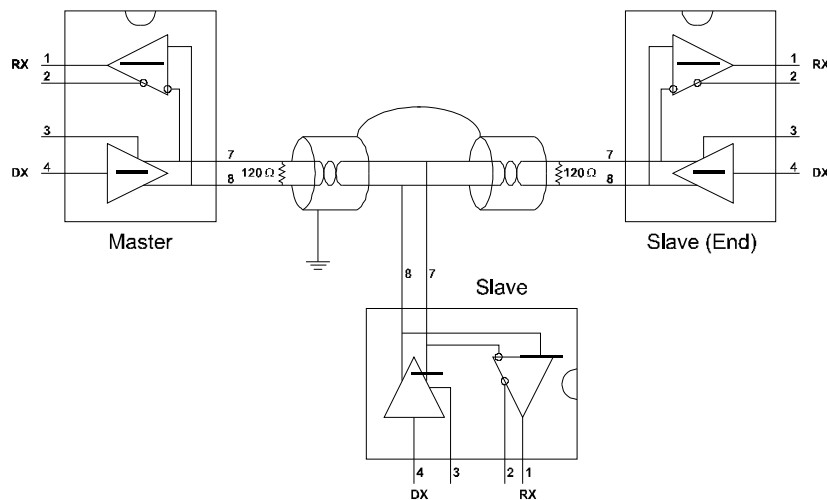


Figure E.5 Termination resistor locations

Because each input is biased to 2.4 V, the nominal common mode voltage of balanced RS-485 systems, the 18 k Ω on the input can be taken as being in series across the input of each individual receiver.

If thirty of these receivers are put closely together at the end of the transmission line, they will tend to react as thirty 36k Ω resistors in parallel with the termination resistor. The overall effective resistance will need to be close to the characteristics of the line.

The effective parallel receiver resistance R_P will therefore be equal to:

$$R_P = 36 \times 103/30 = 1200 \text{ } \Omega$$

While the termination resistor R_T will equal:

$$R_T = R_O / [1 - R_O/R_P]$$

Thus for a line with a characteristic impedance of 100 Ω resistor, the termination resistor R_T should be:

$$R_T = 100/[1 - 100/1200] = 110 \text{ } \Omega$$

Since this value lies within 10% of the line characteristic impedance.

Thus as already stated above the line termination resistor R_T will normally equal the characteristic impedance Z_O .

The star connection causes a multitude of these discontinuities since there are several transmission lines and is therefore not recommended.

Caution! *The recommended wiring method that causes a minimum amount of reflection is daisy chaining where all receivers tap from one transmission line and need to be terminated only twice.*



E.4 RS-485 Data Flow Control

The RS-485 standard uses a single pair of wires to send and receive data. This line sharing requires some method to control the direction of the data flow. RTS (Request To Sent) and CTS (Clear To Sent) are the most commonly used methods.

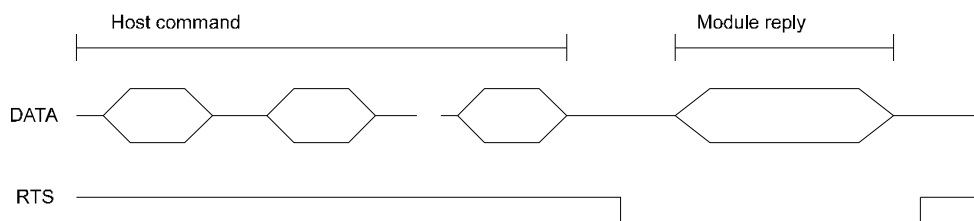


Figure E.6 RS-485 data flow control with RTS

Intelligent RS-485 Control

ADAM-4510 and ADAM-4520 are both equipped with an I/O circuit which can automatically sense the direction of the data flow. No handshaking with the host (like RTS, Request to Send) is necessary to receive data and forward it in the correct direction. You can use any software written for half-duplex RS-232 with an ADAM network without modification. The RS-485 control is completely transparent to the user.

Appendix **F**

Using the Checksum
Feature

A checksum helps you detect communication errors between the host and module. This feature adds two extra checksum characters to the command or response string; therefore, it reduces the throughput.

F.1 Checksum Enable/Disable

In order to enable configuration of a module's checksum feature, its INIT* terminal should be shorted to its GND terminal. Then, the module should be rebooted. The checksum feature is enabled by setting bit 6 of the data format/checksum parameter to 1. On the other hand, the checksum is disabled by setting the parameter to 0. Whenever the checksum feature is used, all the connected devices including the host computer should be in enable mode.

The checksum is represented by a 2-character ASCII hexadecimal format and is transmitted just prior to the carriage return. The checksum equals to the result after performing modulus-256 (100h) of all the ASCII values' sum preceding the checksum. If the checksum is missing or incorrect, the module will not respond.

Example 1

The following example is an Analog Data In command and response when the checksum is enabled:

Command: #0588(CR)

Response: +3.56719D(CR)

The input value of the module at address 05h is +3.5671 V. (The data format is in engineering units.) The command checksum (88h) is the sum of the ASCII values for the following characters: #, 0, and 5. The response checksum (9Dh) is the sum of the ASCII values for the following characters: ">", "+", "3", ".", "5", "6", "7", and "1".

Example 2

This example explains how to calculate the checksum value of a Read High alarm limit command string:

Case 1. (If the Checksum feature is disabled)

Command: \$07RH(cr)

Response: !07+2.0500(cr) when the command is valid.

Case 2. (If the Checksum feature is enabled)

Command: \$07RH25(cr)

Response: !07+2.0500D8(cr)

where:

25 represents the checksum of this command, and D8 represents the checksum of the response.

The checksum of the command string is derived as shown below:

$$25h = (24h + 30h + 37h + 52h + 48h) \text{ MOD } 100h$$

The hexadecimal ASCII codes for \$, 0, 7, R, H are 24h, 30h, 37h, 52h and 48h respectively. The sum of these ASCII codes is 125h, and the result equals to 25h after modulus-256(100h) execution.

Table F.1: Printable ASCII Characters							
HEX	ASCII	HEX	ASCII	HEX	ASCII	HEX	ASCII
21	!	40	@	5F	_	7E	~
22	""	41	A	60	'		
23	#	42	B	61	a		
24	\$	43	C	62	b		
25	%	44	D	63	c		
26	&	45	E	64	d		
27	'	46	F	65	e		
28	(47	G	66	f		
29)	48	H	67	g		
2A	*	49	I	68	h		
2B	+	4A	J	69	i		
2C	,	4B	K	6A	j		
2D	-	4C	L	6B	k		
2E	.	4D	M	6C	l		
2F	/	4E	N	6D	m		
30	0	4F	O	6E	n		
31	1	50	P	6F	o		
32	2	51	Q	70	p		
33	3	52	R	71	q		
34	4	53	S	72	r		
35	5	54	T	73	s		
36	6	55	U	74	t		
37	7	56	V	75	u		
38	8	57	W	76	v		
39	9	58	X	77	w		
3A	:	59	Y	78	x		
3B	;	5A	Z	79	y		
3C	<	5B	[7A	z		
3D	=	5C	\	7B	{		
3E	>	5D]	7C			
3F	?	5E	^	7D	}		

Appendix **G**

I/O Modbus Mapping Table

G.1 ADAM-4000 I/O Modbus Mapping Table

The model list of ADAM-4000 I/O series support Modbus protocol

	Model	Description
1	ADAM-4015	6-channel RTD Input Module
2	ADAM-4017+	8-channel Analog Input Module
3	ADAM-4018+	8-channel Thermocouple Input Module
4	ADAM-4019+	8-Channels Universal Analog Input Module
5	ADAM-4021-F	1-channel Analog Output Module
6	ADAM-4024	4-channel Analog Output Module
	ADAM-4050 (E version)	15-channel Digital I/O Module
7	ADAM-4050 (F version)	16-channel Digital I/O Module
8	ADAM-4051	16-channel Isolated Digital Input with LED Module
9	ADAM-4053 (E version)	16-channel Digital Input Module
10	ADAM-4055	16-channel Isolated Digital I/O with LED Module
11	ADAM-4056S	12 channel Sink-type Isolated Digital Output Module
12	ADAM-4056SO	12 channel Source-type Isolated Digital Output Module
13	ADAM-4060 (E/F version)	4-channel Relay Output Module
14	ADAM-4068	8 Relay Output Module
15	ADAM-4069	8 Power Relay Output Module
16	ADAM-4080 (E version)	2-ch Counter/Frequency Module

1. ADAM-4015 6-channel RTD Input Module

ADDR 0X	Channel	Item	Attribute	Memo
00201	0	Burn-out Signal	R	1:Burn-out
00202	1	Burn-out Signal	R	
00203	2	Burn-out Signal	R	
00204	3	Burn-out Signal	R	
00205	4	Burn-out Signal	R	
00206	5	Burn-out Signal	R	
00207	6	Burn-out Signal	R	
00208	7	Burn-out Signal	R	

ADDR 4X	Channel	Item	Attribute	Memo
40001	0	Current Value	R	
40002	1	Current Value	R	
40003	2	Current Value	R	
40004	3	Current Value	R	
40005	4	Current Value	R	
40006	5	Current Value	R	
40007	6	Current Value	R	
40008	7	Current Value	R	
40201	0	Type Code	R/W	0x00 0x0e
40202	1	Type Code	R/W	
40203	2	Type Code	R/W	
40204	3	Type Code	R/W	
40205	4	Type Code	R/W	
40206	5	Type Code	R/W	
40207	6	Type Code	R/W	
40208	7	Type Code	R/W	
40211		Module Name 1	R	0x40 0x18
40212		Module Name 2	R	0x50 0x00
40213		Version 1	R	0xa2 0x00
40214		Version 2	R	0x00 0x00
40221		Channel Enable	R/W	0x00 0xff

2. ADAM-4018+ 8-channel Thermocouple Input Module

ADDR 0X	Channel	Item	Attribute	Memo
00201	0	Burn-out Signal	R	1:Burn-out
00202	1	Burn-out Signal	R	
00203	2	Burn-out Signal	R	
00204	3	Burn-out Signal	R	
00205	4	Burn-out Signal	R	
00206	5	Burn-out Signal	R	
00207	6	Burn-out Signal	R	
00208	7	Burn-out Signal	R	

ADDR 4X	Channel	Item	Attribute	Memo
40001	0	Current Value	R	
40002	1	Current Value	R	
40003	2	Current Value	R	
40004	3	Current Value	R	
40005	4	Current Value	R	
40006	5	Current Value	R	
40007	6	Current Value	R	
40008	7	Current Value	R	
40201	0	Type Code	R/W	0x00 0x0e
40202	1	Type Code	R/W	
40203	2	Type Code	R/W	
40204	3	Type Code	R/W	
40205	4	Type Code	R/W	
40206	5	Type Code	R/W	
40207	6	Type Code	R/W	
40208	7	Type Code	R/W	
40211		Module Name 1	R	0x40 0x18
40212		Module Name 2	R	0x50 0x00
40213		Version 1	R	0xa2 0x00
40214		Version 2	R	0x00 0x00
40221		Channel Enable	R/W	0x00 0xff

3. ADAM-4017+ 8-channel Analog Input Module

ADDR 4X	Channel	Item	Attribute	Memo
40001	0	Current Value	R	
40002	1	Current Value	R	
40003	2	Current Value	R	
40004	3	Current Value	R	
40005	4	Current Value	R	
40006	5	Current Value	R	
40007	6	Current Value	R	
40008	7	Current Value	R	
40201	0	Type Code	R/W	
40202	1	Type Code	R/W	
40203	2	Type Code	R/W	
40204	3	Type Code	R/W	
40205	4	Type Code	R/W	
40206	5	Type Code	R/W	
40207	6	Type Code	R/W	
40208	7	Type Code	R/W	
40211		Module Name 1	R	0x40 0x17
40212		Module Name 2	R	0x50 0x00
40213		Version 1	R	0xa2 0x00
40214		Version 2	R	0x00 0x00
40221		Channel Enable	R/W	0x00 0xff

4. ADAM-4019+ 8-Channels Universal Analog Input Module

ADDR 0X	Channel	Item	Attribute	Memo
00201	0	Burn-out Signal	R	0: Non 1:Burn-out
00202	1	Burn-out Signal	R	
00203	2	Burn-out Signal	R	
00204	3	Burn-out Signal	R	
00205	4	Burn-out Signal	R	
00206	5	Burn-out Signal	R	
00207	6	Burn-out Signal	R	
00208	7	Burn-out Signal	R	

ADDR 4X	Channel	Item	Attribute	Memo
40001	0	Current Value	R	
40002	1	Current Value	R	
40003	2	Current Value	R	
40004	3	Current Value	R	
40005	4	Current Value	R	
40006	5	Current Value	R	
40007	6	Current Value	R	
40008	7	Current Value	R	
40201	0	Type Code	R/W	
40202	1	Type Code	R/W	
40203	2	Type Code	R/W	
40204	3	Type Code	R/W	
40205	4	Type Code	R/W	
40206	5	Type Code	R/W	
40207	6	Type Code	R/W	
40208	7	Type Code	R/W	
40211		Module Name 1	R	0x40 0x19
40212		Module Name 2	R	0x42 0x00
40213		Version 1	R	0xa1 0x00
40214		Version 2	R	0x00 0x00
40221		Channel Enable	R/W	0x00 0xff

5. ADAM-4021-F 1-channel Analog Output Module

ADDR 4X	Channel	Item	Attribute	Memo
40001	0	Current Output Value(0~0xFFFF)	R/W	
40201	0	Type Code	R/W	
40211		Module Name 1	R	0x40 0x21
40212		Module Name 2	R	0x00 0x00
40213		Version 1	R	0xA4 0x01
40214		Version 2	R	0x00 0x00
40215		Watchdog Timer	R/W	
40216		Safety Flag	R	
40221	0	Startup Value(0~0xFFFF)	R/W	
40223	0	Slew Rate	R/W	
40231	0	Safety Value(0~0xFFFF)	R/W	

6. ADAM-4024 4-channel Analog Output Module

ADDR 0X	Channel	Item	Attribute	Memo
00001	0	Emergency DI Input Flag	R	
00002	1	Emergency DI Input Flag	R	
00003	2	Emergency DI Input Flag	R	
00004	3	Emergency DI Input Flag	R	

ADDR 4X	Channel	Item	Attribute	Memo
40001	0	Current Output Value	R/W	
40002	1	Current Output Value	R/W	
40003	2	Current Output Value	R/W	
40004	3	Current Output Value	R/W	
40201	0	Type Code	R/W	
40202	1	Type Code	R/W	
40203	2	Type Code	R/W	
40204	3	Type Code	R/W	
40211		Module Name 1	R	0x40 0x24
40212		Module Name 2	R	0x00 0x00
40213		Version 1	R	0xA2 0x00
40214		Version 2	R	0x00 0x00
40215		Comm Safety Enable	R	Enable:0x00 0x01
40216		Comm Safety Flag	R	Occur:0x00 0x01
40221		Channel Enable	R/W	0x00 0xff

7. ADAM-4050 15 or *16-ch Digital I/O Module

ADDR 0X	Channel	Item	Attribute	Memo
00001	0	DI Input Signal	R	
00002	1	DI Input Signal	R	
00003	2	DI Input Signal	R	
00004	3	DI Input Signal	R	
00005	4	DI Input Signal	R	
00006	5	DI Input Signal	R	
00007	6	DI Input Signal	R	
00008	*7	DI Input Signal	R	
00017	0	DO Output Value	R/W	
00018	1	DO Output Value	R/W	
00019	2	DO Output Value	R/W	
00020	3	DO Output Value	R/W	
00021	4	DO Output Value	R/W	
00022	5	DO Output Value	R/W	
00023	6	DO Output Value	R/W	
00024	7	DO Output Value	R/W	

ADDR 4X	Channel	Item	Attribute	Memo
40211		Module Name 1	R	0x40 0x50
40212		Module Name 2	R	0x00 0x00
40213		Version 1	R	0xa2 0x00
40214		Version 2	R	0xB0 0x01

* New Input for ADAM-4050-F

8. ADAM-4053 16-ch Digital Input Module

ADDR 0X	Channel	Item	Attribute	Memo
00001	0	DI Input Signal	R	
00002	1	DI Input Signal	R	
00003	2	DI Input Signal	R	
00004	3	DI Input Signal	R	
00005	4	DI Input Signal	R	
00006	5	DI Input Signal	R	
00007	6	DI Input Signal	R	
00008	7	DI Input Signal	R	
00009	8	DI Input Signal	R	
00010	9	DI Input Signal	R	
00011	10	DI Input Signal	R	
00012	11	DI Input Signal	R	
00013	12	DI Input Signal	R	
00014	13	DI Input Signal	R	
00015	14	DI Input Signal	R	
00016	15	DI Input Signal	R	

ADDR 4X	Channel	Item	Attribute	Memo
40211		Module Name 1	R	0x40 0x53
40212		Module Name 2	R	0x00 0x00
40213		Version 1	R	0xa2 0x00
40214		Version 2	R	0xB0 0x01

9. ADAM-4060 4-ch Relay Output Module

ADDR 0X	Channel	Item	Attribute	Memo
00017	0	Relay Output Value	R/W	
00018	1	Relay Output Value	R/W	
00019	2	Relay Output Value	R/W	
00020	3	Relay Output Value	R/W	

ADDR 4X	Channel	Item	Attribute	Memo
40211		Module Name 1	R	0x40 0x60
40212		Module Name 2	R	0x00 0x00
40213		Version 1	R	0xa2 0x00
40214		Version 2	R	0xB0 0x01

10. ADAM-4051 16-channel Isolated Digital Input with LED Module

ADDR 0X	Channel	Item	Attribute	Memo
00001	0	DI Input Signal	R	
00002	1	DI Input Signal	R	
00003	2	DI Input Signal	R	
00004	3	DI Input Signal	R	
00005	4	DI Input Signal	R	
00006	5	DI Input Signal	R	
00007	6	DI Input Signal	R	
00008	7	DI Input Signal	R	
00009	8	DI Input Signal	R	
00010	9	DI Input Signal	R	
00011	10	DI Input Signal	R	
00012	11	DI Input Signal	R	
00013	12	DI Input Signal	R	
00014	13	DI Input Signal	R	
00015	14	DI Input Signal	R	
00016	15	DI Input Signal	R	

ADDR 4X	Channel	Item	Attribute	Memo
40211		Module Name 1	R	0x40 0x55
40212		Module Name 2	R	0x00 0x00
40213		Version 1	R	0xa2 0x00
40214		Version 2	R	0x00 0x00

11. ADAM-4055 16-channel Isolated Digital I/O with LED Module

ADDR 0X	Channel	Item	Attribute	Memo
00001	0	DI Input Signal	R	
00002	1	DI Input Signal	R	
00003	2	DI Input Signal	R	
00004	3	DI Input Signal	R	
00005	4	DI Input Signal	R	
00006	5	DI Input Signal	R	
00007	6	DI Input Signal	R	
00008	7	DI Input Signal	R	
00017	0	DO Output Value	R/W	
00018	1	DO Output Value	R/W	
00019	2	DO Output Value	R/W	
00020	3	DO Output Value	R/W	
00021	4	DO Output Value	R/W	
00022	5	DO Output Value	R/W	
00023	6	DO Output Value	R/W	
00024	7	DO Output Value	R/W	

ADDR 4X	Channel	Item	Attribute	Memo
40211		Module Name 1	R	0x40 0x55
40212		Module Name 2	R	0x00 0x00
40213		Version 1	R	0xa2 0x00
40214		Version 2	R	0x00 0x00
40215		Comm Safety Enable	R	Enable:0x00 0x01
40216		Comm Safety Flag	R	Occur:0x00 0x01

12. ADAM-4056S 12 channel Sink-type Isolated Digital Output Module

ADDR 0X	Channel	Item	Attribute	Memo
00017	0	Digital Output Value	R/W	
00018	1	Digital Output Value	R/W	
00019	2	Digital Output Value	R/W	
00020	3	Digital Output Value	R/W	
00021	4	Digital Output Value	R/W	
00022	5	Digital Output Value	R/W	
00023	6	Digital Output Value	R/W	
00024	7	Digital Output Value	R/W	
00025	8	Digital Output Value	R/W	
00026	9	Digital Output Value	R/W	
00027	10	Digital Output Value	R/W	
00028	11	Digital Output Value	R/W	

ADDR 4X	Channel	Item	Attribute	Memo
40211		Module Name 1	R	0x40 0x56
40212		Module Name 2	R	0x53 0x00
40213		Version 1	R	0xA1 0x00
40214		Version 2	R	0x00 0x00
40215		Comm Safety Enable	R	Enable:0x00 0x01
40216		Comm Safety Flag	R	Occur:0x00 0x01

13. ADAM-4056SO 12 channel Source-type Isolated Digital Output Module

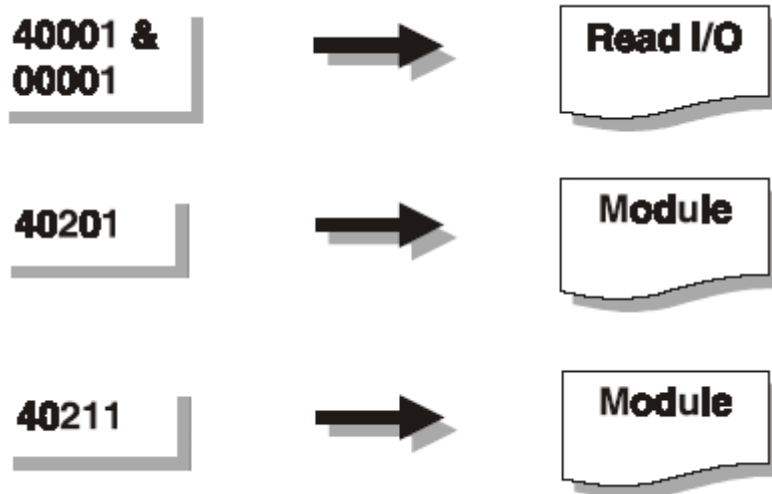
ADDR 0X	Channel	Item	Attribute	Memo
00017	0	Digital Output Value	R/W	
00018	1	Digital Output Value	R/W	
00019	2	Digital Output Value	R/W	
00020	3	Digital Output Value	R/W	
00021	4	Digital Output Value	R/W	
00022	5	Digital Output Value	R/W	
00023	6	Digital Output Value	R/W	
00024	7	Digital Output Value	R/W	
00025	8	Digital Output Value	R/W	
00026	9	Digital Output Value	R/W	
00027	10	Digital Output Value	R/W	
00028	11	Digital Output Value	R/W	
00029	Over Current CH0-3	Over Current Flag	R/W	
00030	Over Current CH4-7	Over Current Flag	R/W	
00031	Over Current CH8-11	Over Current Flag	R/W	

ADDR 4X	Channel	Item	Attribute	Memo
40211		Module Name 1	R	0x40 0x56
40212		Module Name 2	R	0x53 0x4F
40213		Version 1	R	0xA1 0x00
40214		Version 2	R	0x00 0x00
40215		Comm Safety Enable	R	Enable:0x00 0x01
40216		Comm Safety Flag	R	Occur:0x00 0x01

14. ADAM-4068 8 Relay Output Module

ADDR 0X	Channel	Item	Attribute	Memo
00017	0	Relay Output Value	R/W	
00018	1	Relay Output Value	R/W	
00019	2	Relay Output Value	R/W	
00020	3	Relay Output Value	R/W	
00021	4	Relay Output Value	R/W	
00022	5	Relay Output Value	R/W	
00023	6	Relay Output Value	R/W	
00024	7	Relay Output Value	R/W	

ADDR 4X	Channel	Item	Attribute	Memo
40211		Module Name 1	R	0x40 0x68
40212		Module Name 2	R	0x00 0x00
40213		Version 1	R	0xa2 0x00
40214		Version 2	R	0x00 0x00
40215		Comm Safety Enable	R	Enable:0x00 0x01
40216		Comm Safety Flag	R	Occur:0x00 0x01



15. ADAM-4069 8 Power Relay Output Module

ADDR 0X	Channel	Item	Attribute	Memo
00017	0	Relay Output Value	R/W	
00018	1	Relay Output Value	R/W	
00019	2	Relay Output Value	R/W	
00020	3	Relay Output Value	R/W	
00021	4	Relay Output Value	R/W	
00022	5	Relay Output Value	R/W	
00023	6	Relay Output Value	R/W	
00024	7	Relay Output Value	R/W	

ADDR 4X	Channel	Item	Attribute	Memo
40211		Module Name 1	R	0x40 0x69
40212		Module Name 2	R	0x00 0x00
40213		Version 1	R	0xa1 0x01
40214		Version 2	R	0x00 0x00
40215		Comm Safety Enable	R	Enable:0x00 0x01
40216		Comm Safety Flag	R	Occur:0x00 0x01

16. ADAM-4080 2-ch Counter/Frequency Module

ADDR 0X	Channel	Item	Attribute	Memo
00017	0	DO0 Signal/Counter 0 Alarm Status	R/W	Alarm is read only
00018	1	DO1 Signal/Counter1 Alarm Status	R/W	Alarm is read only
00033		Counter0 Start/Stop	R/W	1: start 0: stop
00034		Counter0 Clear	W	1: clear counter
00035		Counter0 Overflow	R	
00037		Counter1 Start/Stop	R/W	1: start 0: stop
00038		Counter1 Clear	W	1: clear counter
00039		Counter1 Overflow	R	

ADDR 4X	Channel	Item	Attribute	Memo
40001-40002	0	Counter 0 Value	R	
40003-40004	1	Counter 1 Value	R	
40201		Counter Mode	R	50:Counter 51:Frequency
40202		Signal Input Mode	R	0: non-isolated (TTL) input 1: photo-isolated input
40203		Gate Mode	R	0: the gate is low 1: the gate is high 2: the gate is disabled

40204		Gate Time	R	0:0.1(s) 1:1(s)
40205	0	Counter 0 Alarm output	R	1: Enable 0: Disable
40206	1	Counter 1 Alarm output	R	1: Enable 0: Disable
40211		Module Name 1	R	
40213		Version 1	R	

Appendix **H**

Changing to Modbus Protocol

H.1 Changing Configuration to Modbus Protocol

The ADAM-4000 Modbus version modules may come from the factory set for which the ADAM ASCII protocol is set as the default protocol.

If the module is connected to a Modbus network, the Modbus network may not recognize the module. This may be caused by the incorrect settings. The ADAM-4000 module should be set-up for Modbus protocol instead of the ADAM ASCII protocol.

Please follow the steps as below for configuring an ADAM-4000 module to the Modbus protocol.

1. Configure the ADAM-4000 Module with the Adam/Apax .NET utility (the latest Adam/Apax .NET utility can be found at www.advantech.com service & support).
2. Initialize the ADAM-4000 on an RS-485 network (the preferred method is one module at a time on the RS-485 network).
3. With the module powered off, turn the switch in the "Init" position. (For some older Adam models, use an external wire to connect the INIT* terminal to the GND terminal)
4. Power up the module
5. Wait 10 seconds for the module to initialize.
6. Using the Adam/Apax .NET utility, search (scan) for the module to change the protocol. (Initial COM settings: 9600 baud, N-8-1)
7. The utility will identify the module from the search function.
8. The Adam/Apax .NET utility will now permit the serial data protocol to be changed to the Modbus protocol.
9. The address and COM port settings can also be changed at this time.
10. To access the module, click on the module icon in the utility.
11. Update the settings by pressing the "Update" button.
12. Power off the module.
13. Turn the switch back to the NORMAL* position. (For the older Adam models, remove the wire between the INIT* and GND terminals)
14. The module is now ready to be placed in the Modbus network.

www.advantech.com

Please verify specifications before quoting. This guide is intended for reference purposes only.

All product specifications are subject to change without notice.

No part of this publication may be reproduced in any form or by any means, electronic, photocopying, recording or otherwise, without prior written permission of the publisher.

All brand and product names are trademarks or registered trademarks of their respective companies.

© Advantech Co., Ltd. 2023