

IPC-730

Desktop/Wallmount Chassis with front I/O Interfaces for ATX/mATX Motherboard

NEW



Features

- Built-in ATX 3.1 high wattage PSU, accommodating to the most demanding GPU applications
- Great heat dissipation to ensure system performance and reliability
- Optimized inner space to support oversized GPU cards
- Front I/O for easy cabling and maintenance

CE FCC

Specifications

		External	Internal
Drive Bay	5.25"	-	0
	3.5"	-	2
	2.5"	2 (Optional)	2
Cooling	Fans	2 (Fan1: 12cm/238CFM; Fan2: 12cm/79CFM)	
	Air Filter	Yes	
Miscellaneous	LED Indicators	Power status and HDD activity	
	Control	Power switch and system reset button	
Environment		Operating	Non-Operating
	Temperature	0 ~ 40 °C (32 ~ 104 °F)	-20 ~ 60 °C (-4 ~ 140 °F)
	Humidity	95% @ 40 °C, non-condensing	95% @ 60 °C, non-condensing
	Vibration (5 ~ 500 Hz)	Random 1Grms	Sine 2G
Physical Characteristics	Shock	10 G (with 11 ms duration, half sine wave)	
	Dimensions (W x H x D)	365 x 206 x 450 mm (14.4" x 8.1" x 17.7")	
	Weight	9.2 kg (20.3lb)	

Front View



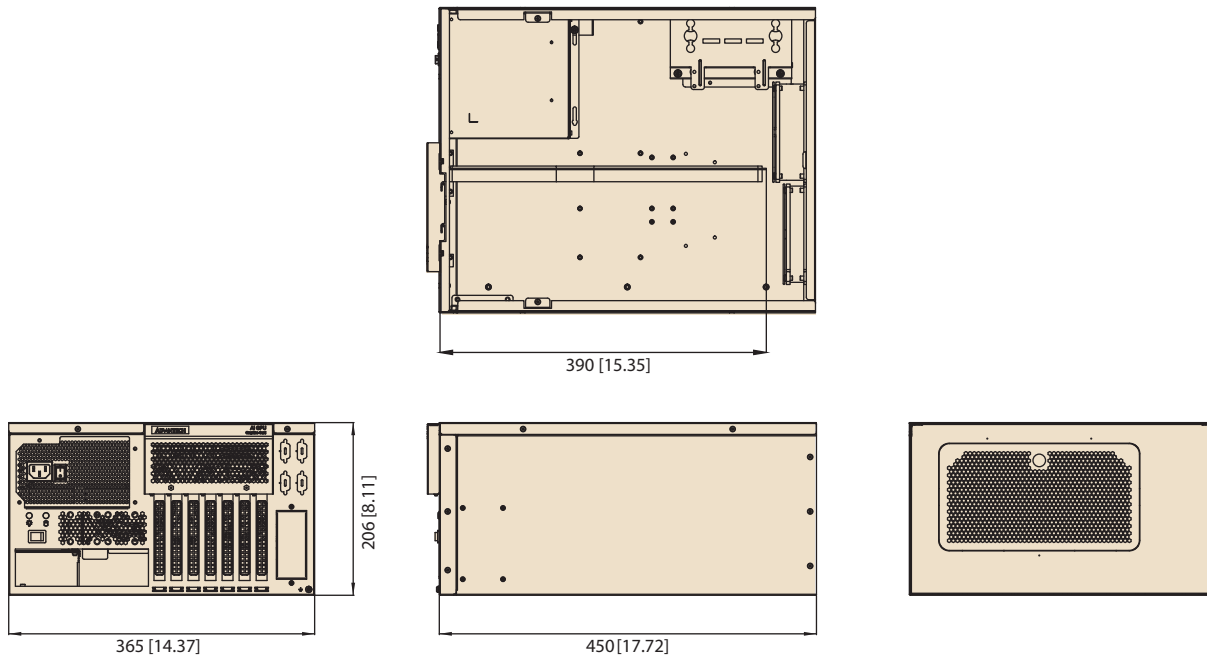
Rear View



Dimensions

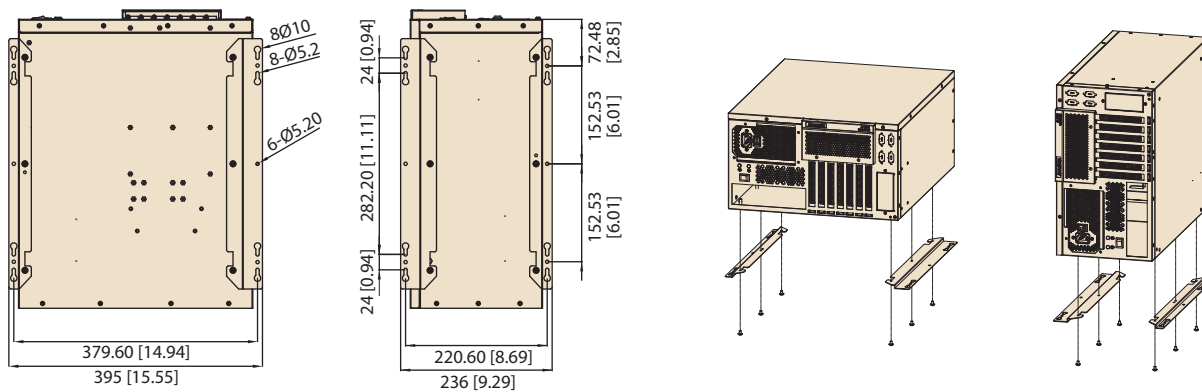
Unit: mm [inch]

Max. card length: 390mm
Max. card height: 180mm



Installation

Unit: mm [inch]



Ordering Information

Part Number	Power Supply	Wattage	80 Plus	Switch Type
IPC-730-85A	PS8-850ATX-GZ	850W	Gold	ATX
IPC-730-1K2A	PS8-1K2ATX-PZ	1200W	Platinum	ATX